

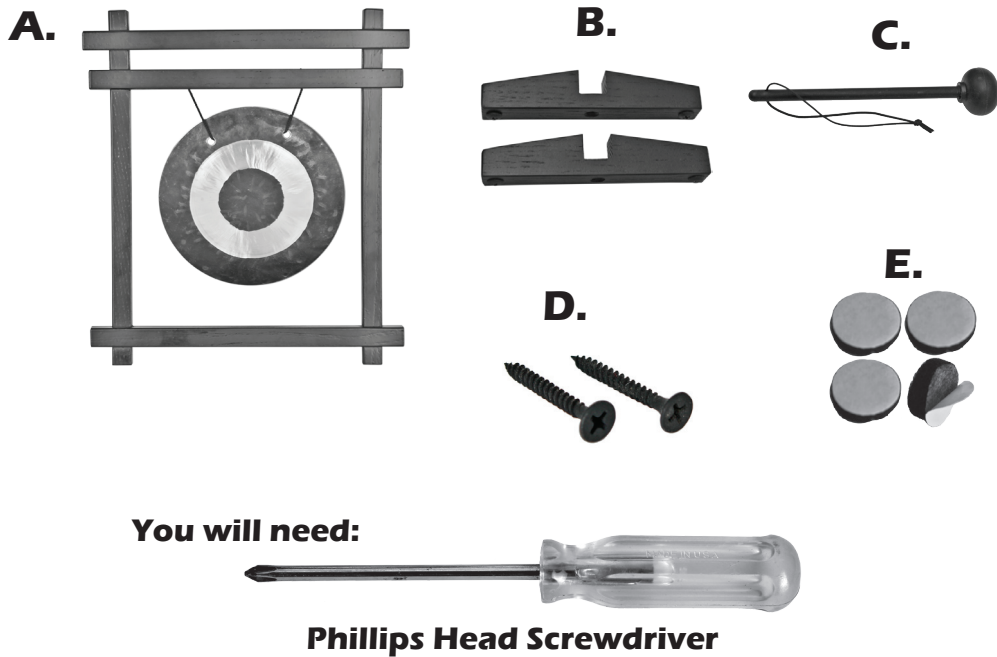


Woodstock Desk Gong™

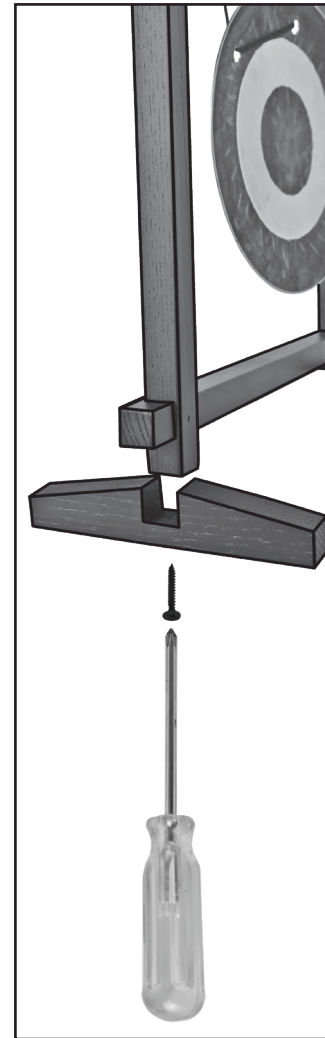
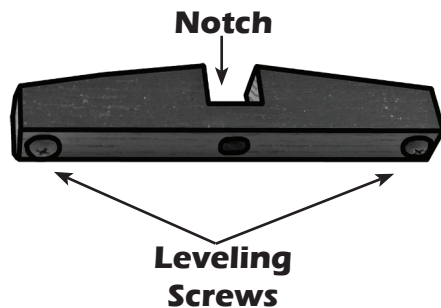
Assembly Instructions

INCLUDED PARTS:

- A. Upright Frame and Gong..... 1
- B. Feet.....2
- C. Mallet..... 1
- D. Phillips Flat Head Screws.....2
- E. Felt Pads.....4

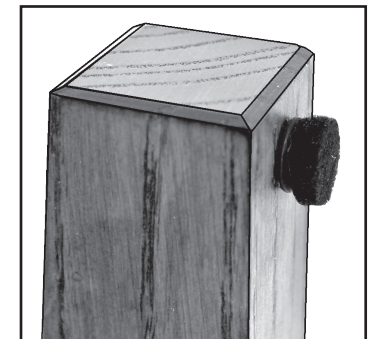


1. Make sure each Foot (B) is held so that the Leveling Screws are facing down and the notch in the Foot is facing up.



2. Align the pre-drilled hole in each Foot to the hole in the bottom of the Upright Frame (A). Insert a Phillips Flat Head Screw (D) into each leg of the frame and tighten with a Phillips Head Screwdriver. Repeat on other leg.

3. Place the assembled frame in the location you wish to display your Desk Gong. If necessary, adjust the Leveling Screws at the bottom of the Feet by turning in a clockwise or counterclockwise direction.



4. Remove the paper from the self-sticking Felt Pads (E), making sure to leave the adhesive tape layer attached to the felt. It might be useful to crinkle the paper slightly prior to peeling. This helps to break its connection to the adhesive, allowing you to peel the paper without removing the adhesive. Place one on each Leveling Screw head at the bottom of each Foot.