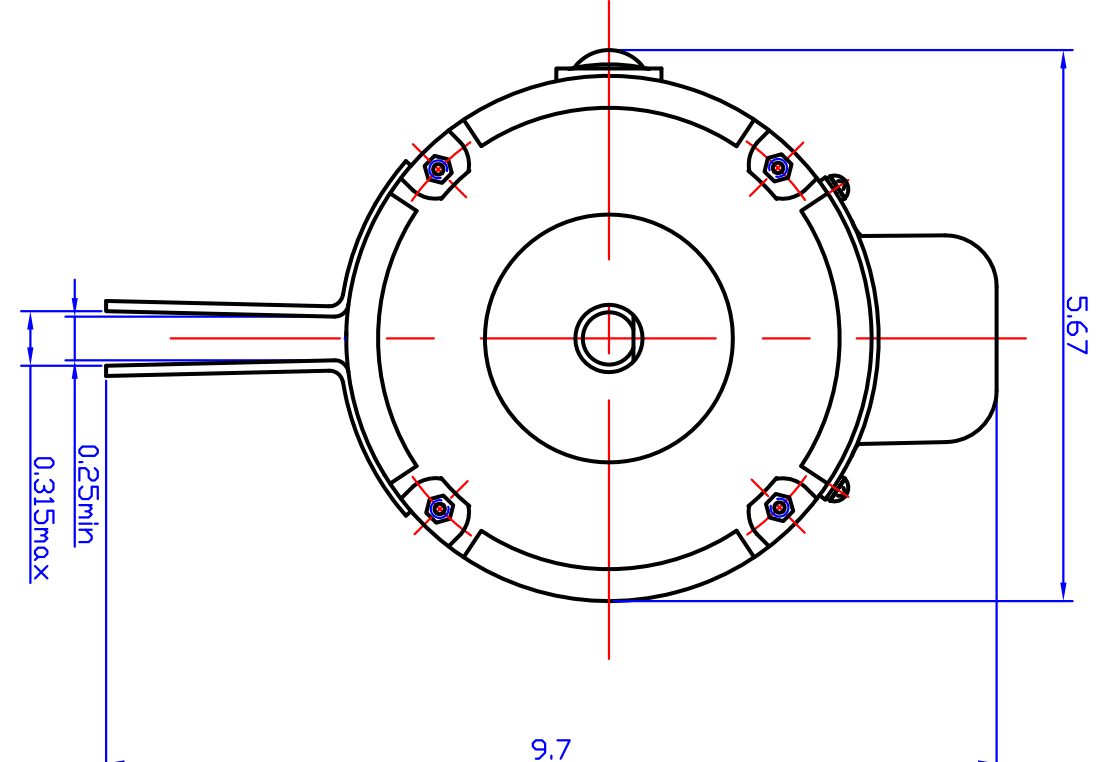
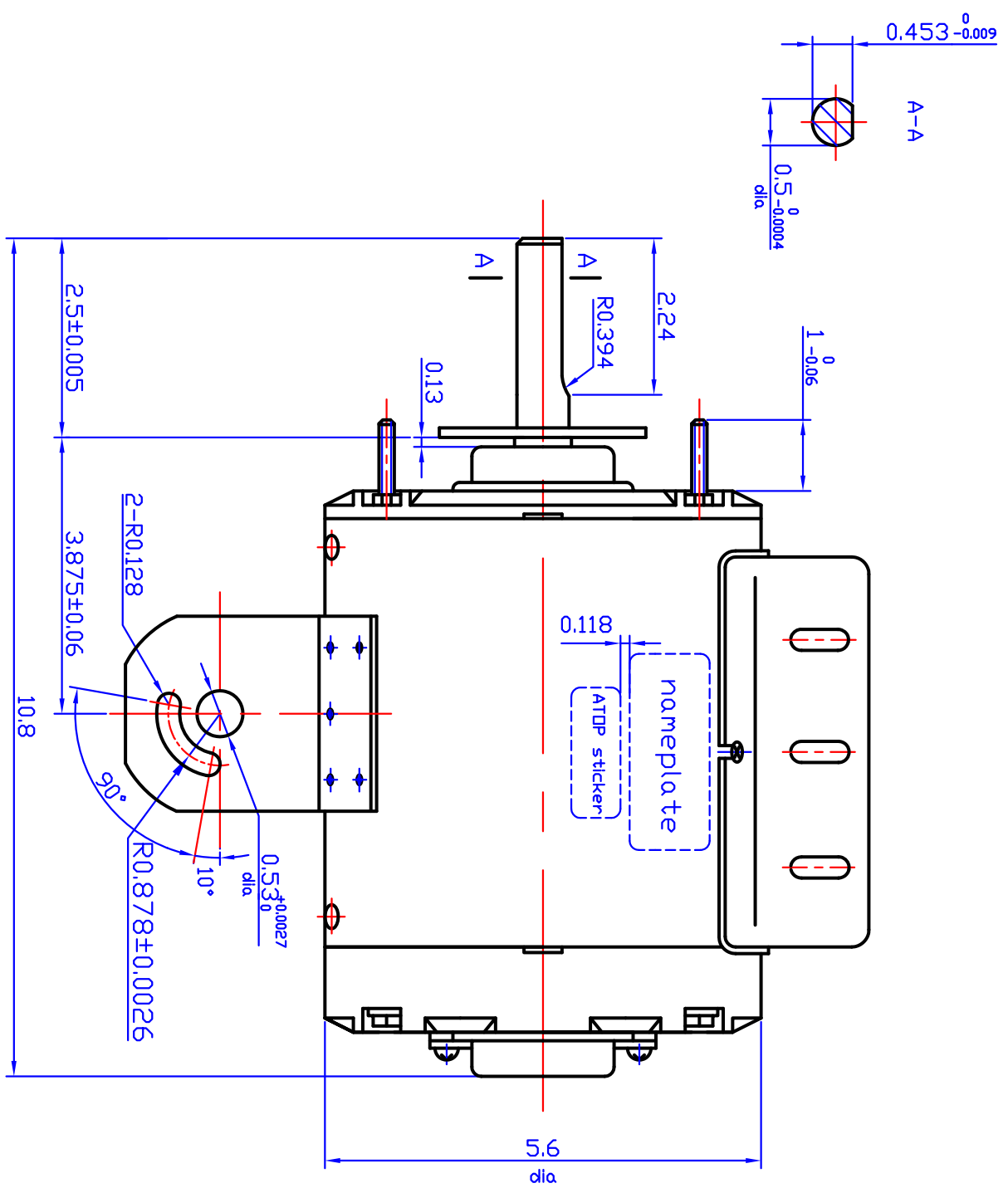


| REV | ECO | REV BY | DATE | APPD | DATE |
|-----|-----|--------|------|------|------|
| | | | | | |



| AGI MODEL NO. | IND# | FRAME | PH | Pole | HP | RPM | HZ | Volt | thermal protector |
|---------------|-------|-------|----|------|-----|------|----|---------|-------------------|
| Y054DA4PAYZ | Y970Z | 48 | 1 | 4 | 1/2 | 1625 | 60 | 115/230 | MEJ55RX |

| | |
|------------------------|----------|
| DR BY: | Candy |
| APPD: | |
| FIRST ANGLE PROJECTION | EDS DATE |
| | VERSION |



AG-1 MOTORTEC INC.,

DESCRIPTION
AGI Y970Z OUTLINE

CONFIDENTIAL PROPERTY OF GW ELECTRIC (SHANGHAI) CORPORATION AND ARE NOT TO BE DISCLOSED, DUPLICATED, OR OTHERWISE USED WITHOUT THE WRITTEN CONSENT OF GW ELECTRIC (SHANGHAI) CORPORATION, OR ITS AGENT, AG-1 MOTORTEC INC.
- ALL RIGHTS RESERVED

| | | | |
|-------|-------|--------|--|
| SIZE | A3 | DWG NO | |
| SCALE | 1:1.5 | SHEET | |