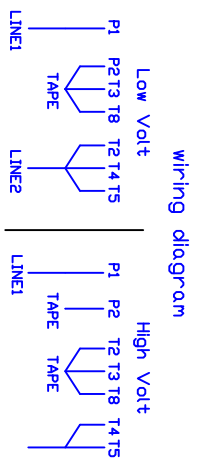
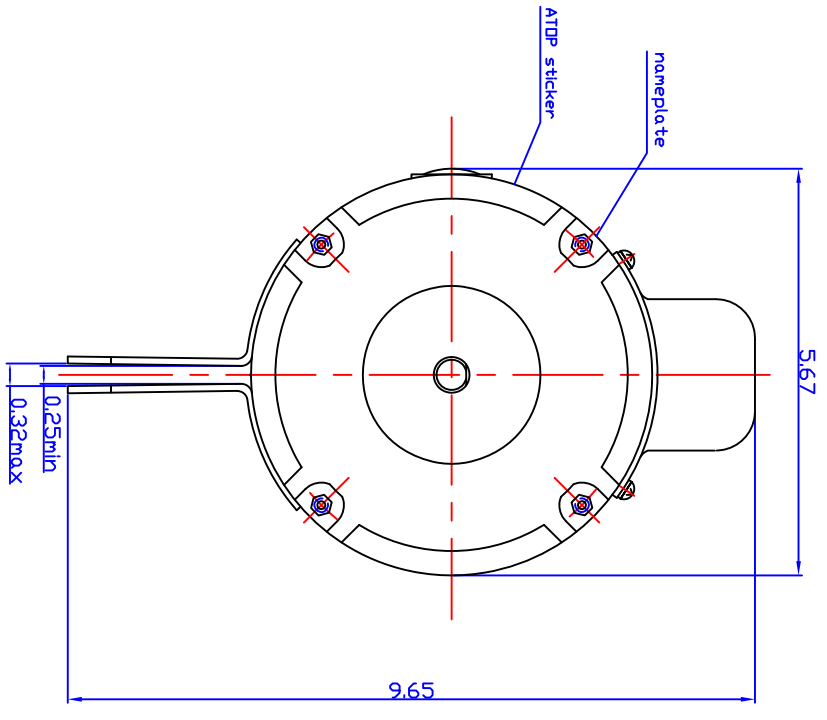
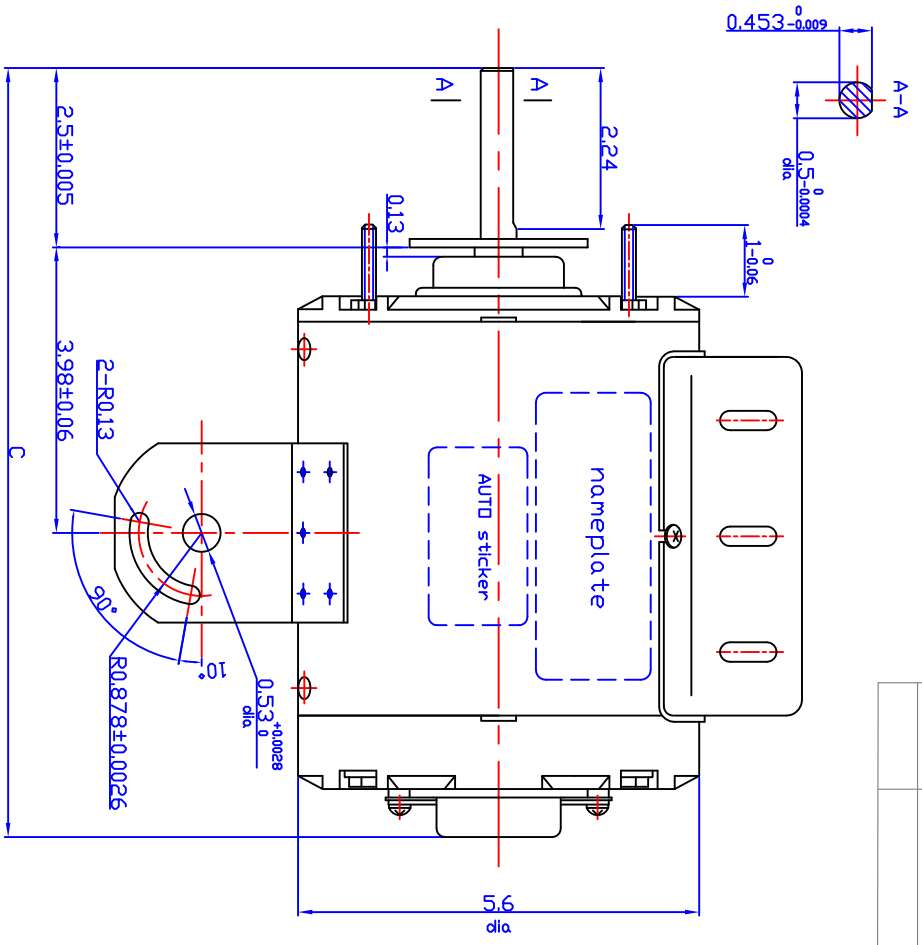


REV	ECO	REV BY	DATE	APPD	DATE
-----	-----	--------	------	------	------



NOTE: To reverse rotation, interchange T5&T8

IND#	FRAME	PH	HP	Hz	Volt	thermal protector	C
Y892	48	1	1/3	60	115/230	MEG65RX	11.34
Y893	48	1	1/2	60	115/230	MEJ57RX	11.81

LINE2

DR BY:

APPD:

FIRST ANGLE PROJECTION

EDS DATE

VERSION

AGI

AG-1 MOTORTEC INC.,

DESCRIPTION

Y892 & Y893 OUTLINE

SIZE A3

DWGNO

SCALE 1:2

SHEET

CONFIDENTIAL PROPERTY OF GM ELECTRIC (SHANGHAI) CORPORATION AND ARE NOT TO BE DISCLOSED, DUPLICATED, OR OTHERWISE USED WITHOUT THE WRITTEN CONSENT OF GM ELECTRIC (SHANGHAI) CORPORATION, OR ITS AGENT, AG-1 MOTORTEC INC. - ALL RIGHTS RESERVED