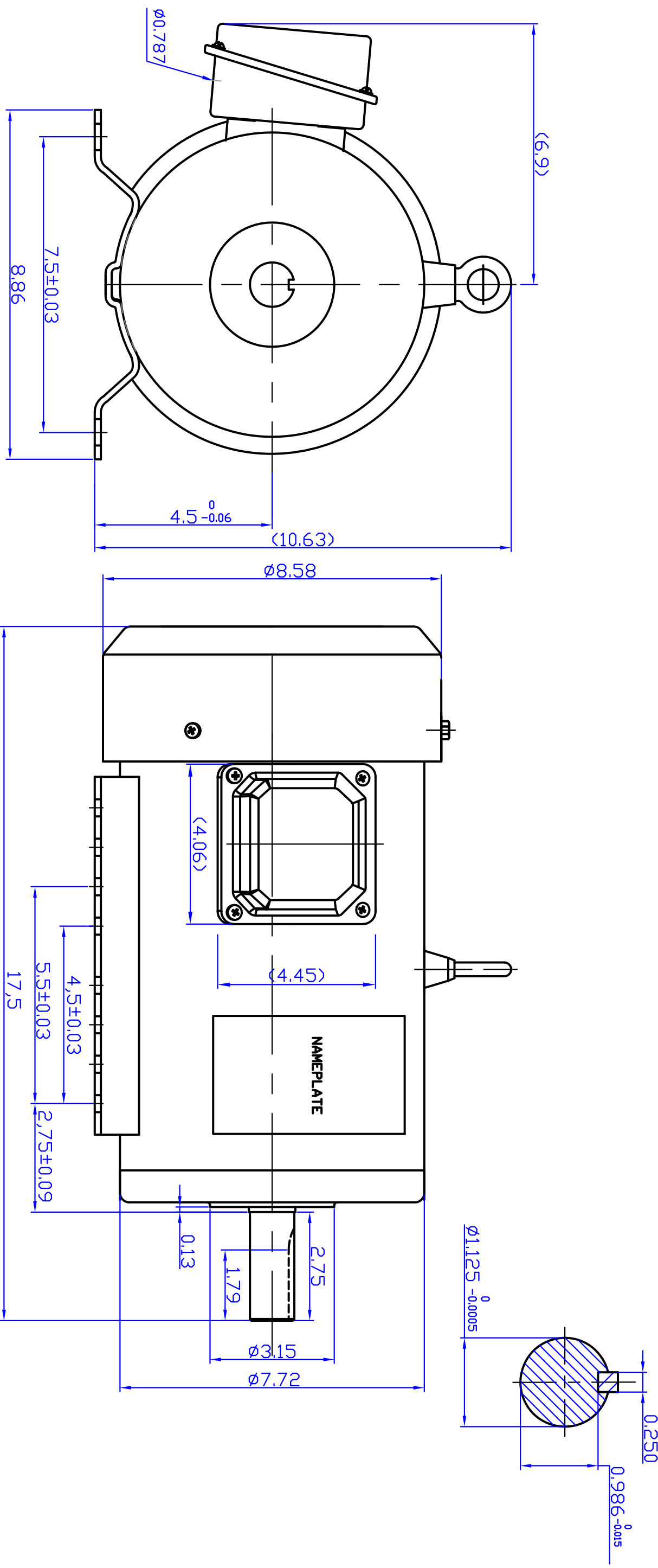
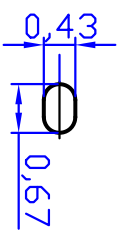


REV	ECO	REV BY	DATE	APPD	DATE
					1.9.2020



IND #	FRAME	HP	VOLTS	HZ	RPM	S.F	DUTY	ENCL.	PH
TC54	184T-4	5	575	60	1800	1.15	CONT.	TEFC	3
TU54	184T-4	5	208-230/460	60	1800	1.15	CONT.	TEFC	3



DR BY:	2020-01-09	EDS DATE	REV 4
APPD:		VERSION	
FIRST ANGLE PROJECTION			
AG-1 MOTORTEC INC., OUTLINE FOR 184T (5HP-4) F1 MOUNTING			
DESCRIPTION	SIZE	DWG NO	SHEET
	A3		
	SCALE 1:2		

CONFIDENTIAL PROPERTY OF GE ELECTRIC (SHANGHAI) CORPORATION AND ARE NOT TO BE DISCLOSED, DUPLICATED, OR OTHERWISE USED WITHOUT THE WRITTEN CONSENT OF GE ELECTRIC (SHANGHAI) CORPORATION, OR ITS AGENT, AG-1 MOTORTEC INC. -ALL RIGHTS RESERVED.