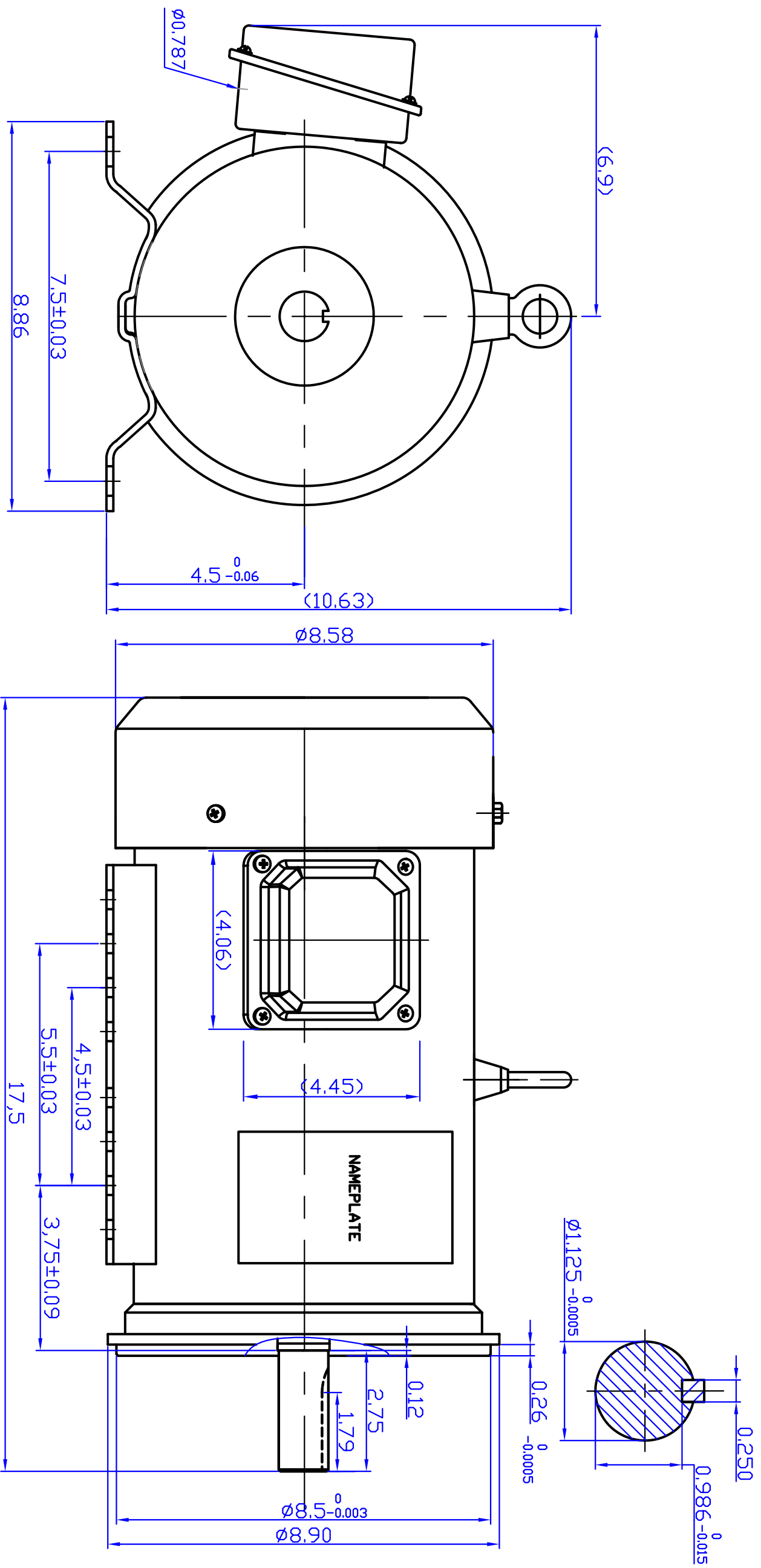


REV	ECO	REV BY	DATE	APPD	DATE
					1.9.2020



IND #	FRAME	HP	VOLTS	Hz	RPM	S.F	DUTY	ENCL.	PH
TC54C	184TC-4	5	575	60	1800	1.15	CONT.	TEFC	3
TU54C	184TC-4	5	208-230/460	60	1800	1.15	CONT.	TEFC	3

DR BY: 2020-01-09

APPD: AG-1

EDS DATE: 2020-01-09

VERSION: REV4

DESCRIPTION: OUTLINE FOR 184TC(5HP-4) F1 MOUNTING

AG-1 MOTORTEC INC.,

CONFIDENTIAL PROPERTY OF GE ELECTRIC (SHANGHAI) CORPORATION AND ARE NOT TO BE DISCLOSED, DUPLICATED, OR OTHERWISE USED WITHOUT THE WRITTEN CONSENT OF GE ELECTRIC (SHANGHAI) CORPORATION, OR ITS AGENT, AG-1 MOTORTEC INC. -ALL RIGHTS RESERVED.

SIZE: A3

DWG NO:

SCALE: 1:2

SHEET: