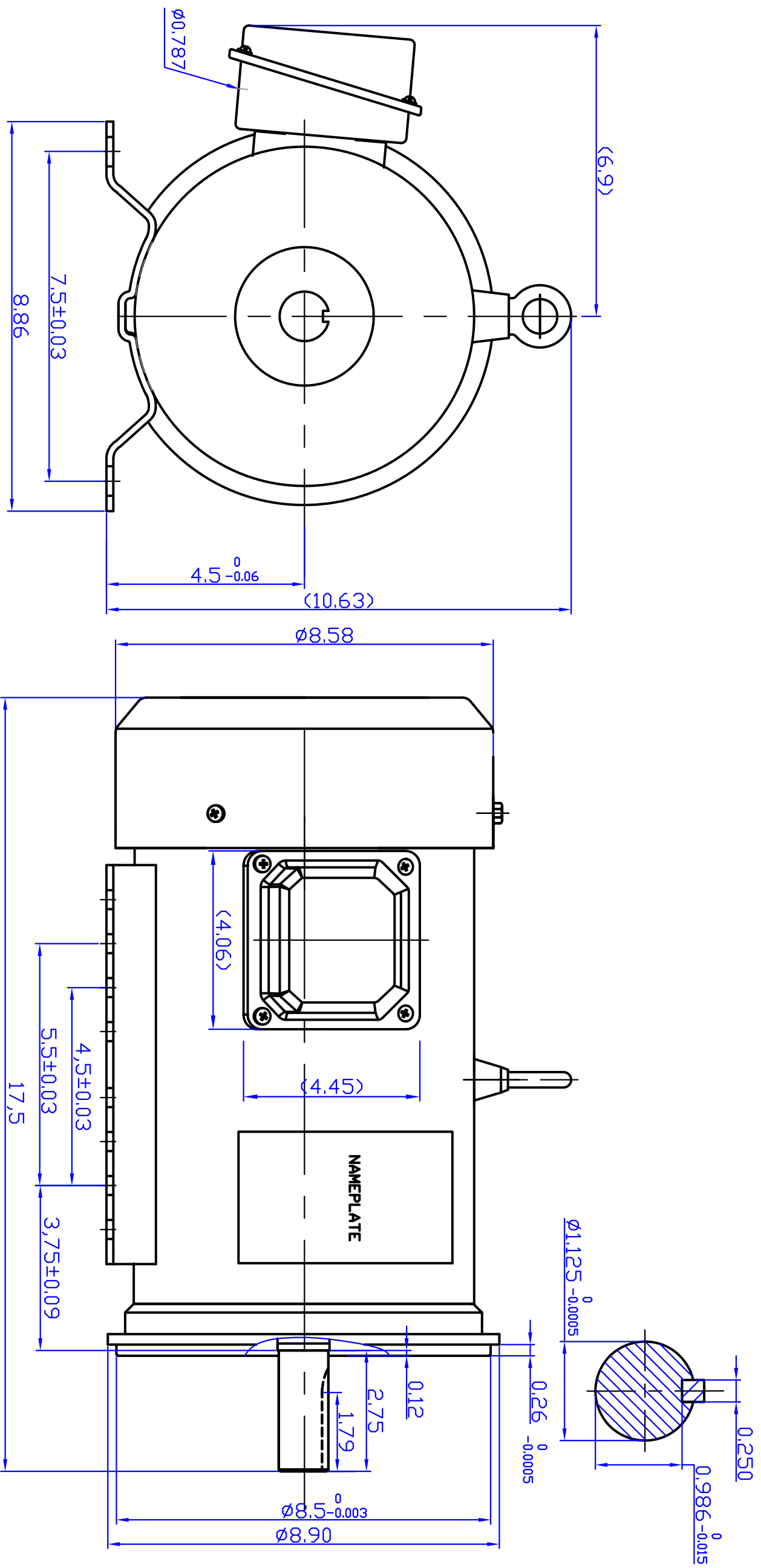


REV	ECO	REV BY	DATE	APPD	DATE
					1.9.2020



IND #	FRAME	HP	VOLTS	Hz	RPM	S.F	DUTY	ENCL.	PH
TC34C	182TC-4	3	575	60	1800	1.15	CONT.	TEFC	3
TU34C	182TC-4	3	208-230/460	60	1800	1.15	CONT.	TEFC	3

DR BY: 2020-01-09

APPD:

EDS DATE: 2020-01-09

VERSION: REV4

DESCRIPTION: **AG-1** OUTLINE FOR 182TC (3HP-4) F1 MOUNTING

AG-1 MOTORTEC INC.,

CONFIDENTIAL PROPERTY OF GE ELECTRIC (SHANGHAI) CORPORATION AND ARE NOT TO BE DISCLOSED, DUPLICATED, OR OTHERWISE USED WITHOUT THE WRITTEN CONSENT OF GE ELECTRIC (SHANGHAI) CORPORATION, OR ITS AGENT, AG-1 MOTORTEC INC. -ALL RIGHTS RESERVED.

SIZE: A3

DWG NO:

SCALE: 1:2

SHEET: