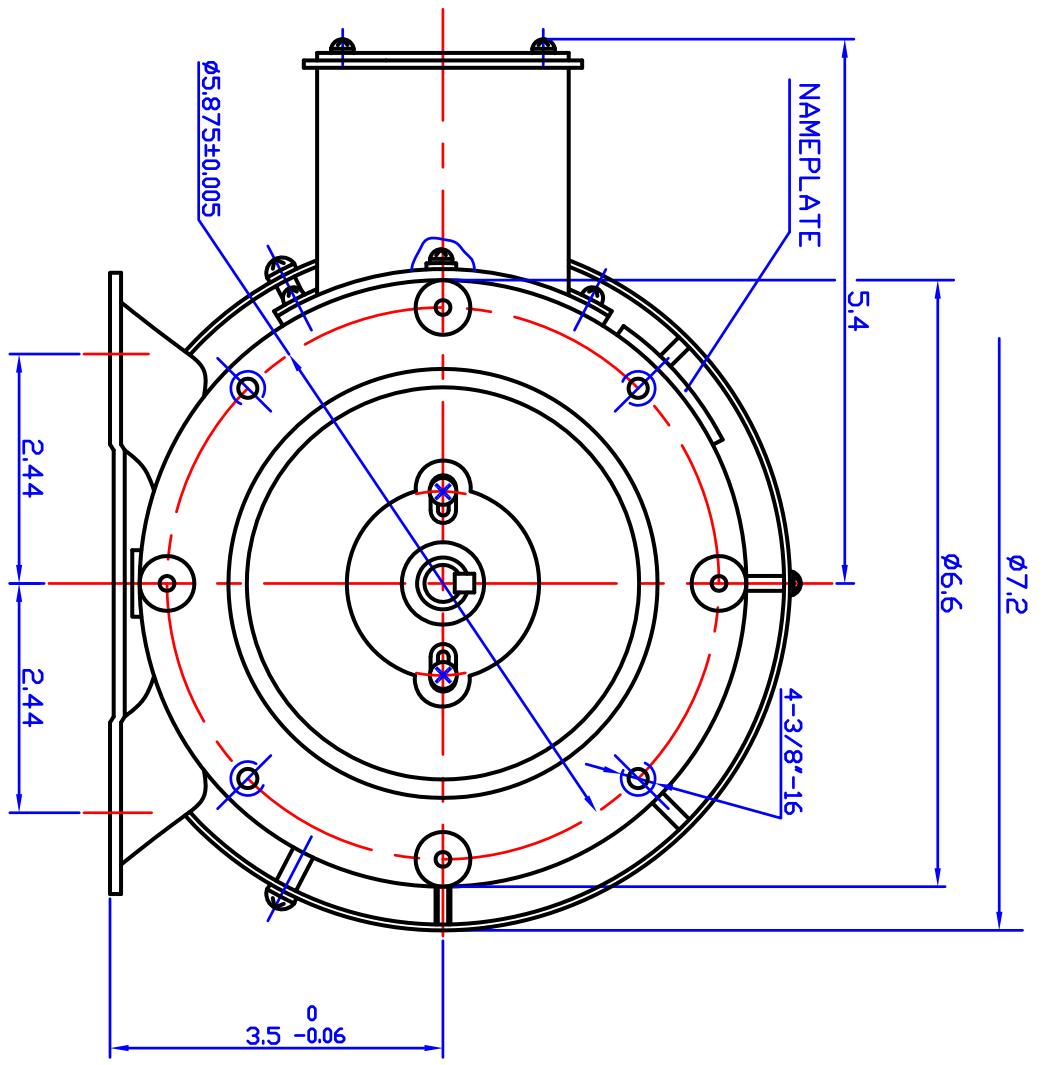
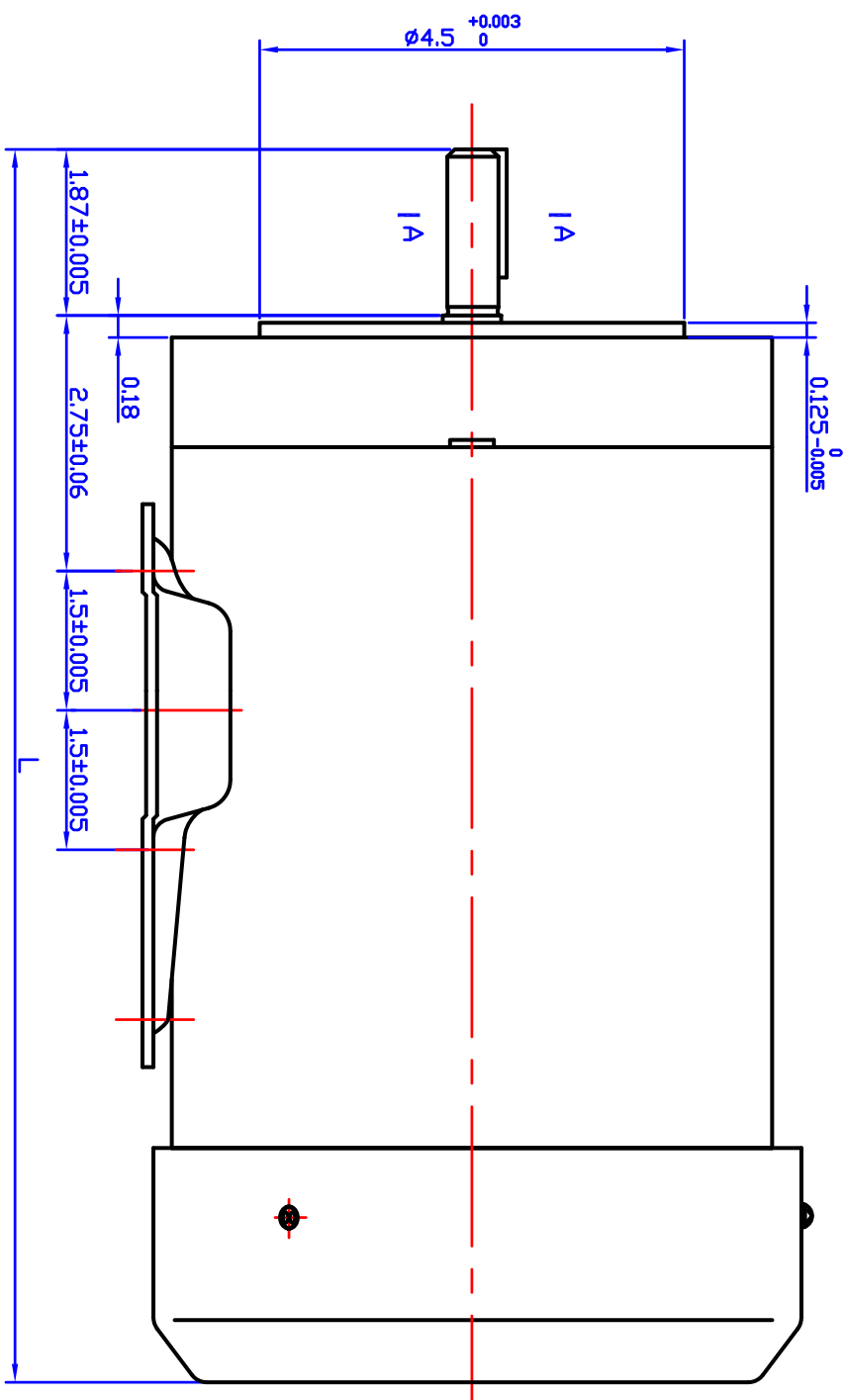
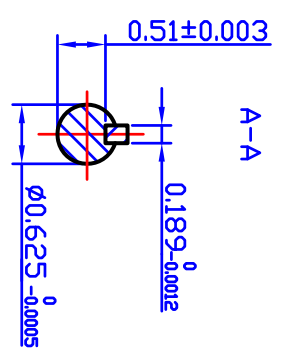
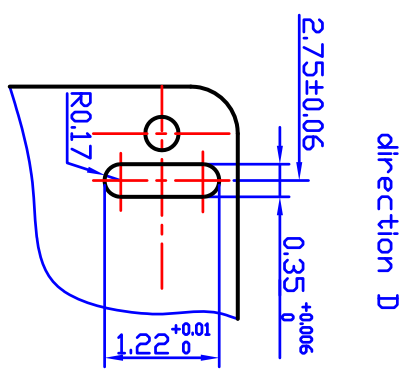


REV	ECO	REV BY	DATE	APPD	DATE
-----	-----	--------	------	------	------



D ↓

REF. NO.	IND#	HP	60Hz VDLT	50Hz VDLT	POLE	FRAME	ENCLOSURE	thermal protector	L
T102UFSFNPS	TU210C	1/0.75	208-230/460	190/380	2P	56C	TEFC	NDNE	12.8
T152UFSFNPS	TU215C	1.5/1	208-230/460	190/380	2P	56C	TEFC	NDNE	12.8
T202UFSFNPS	TU220C	2/1.5	208-230/460	190/380	2P	56C	TEFC	NDNE	13.2
T102CFSFNPS	TC210C	1	575	/	2P	56C	TEFC	NDNE	12.8
T152CFSFNPS	TC215C	1.5	575	/	2P	56C	TEFC	NDNE	12.8
T202CFSFNPS	TC220C	2	575	/	2P	56C	TEFC	NDNE	13.2



DR BY:		EDS DATE	
APPD:		VERSION	

		AG-1 MOTORTEC INC.,	
DESCRIPTION			
TU210C TU215C TU220C TC210C TC215C & TC200C OUTLINE			

FIRST ANGLE PROJECTION

CONFIDENTIAL PROPERTY OF GW ELECTRIC (SHANGHAI) CORPORATION AND ARE NOT TO BE DISCLOSED, DUPLICATED, OR OTHERWISE USED WITHOUT THE WRITTEN CONSENT OF GW ELECTRIC (SHANGHAI) CORPORATION, OR ITS AGENT, AG-1 MOTORTEC INC.
- ALL RIGHTS RESERVED

SIZE	A3	DWG NO	
SCALE	1:2	SHEET	