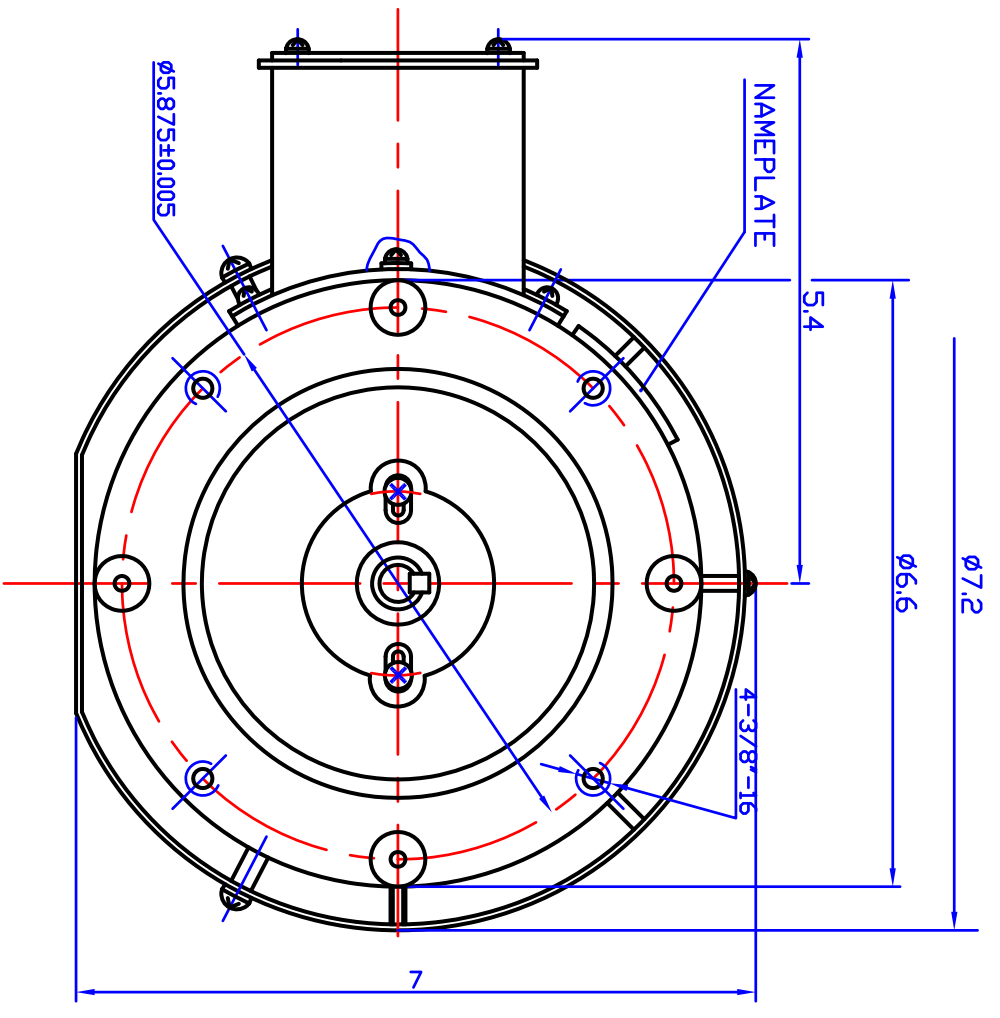
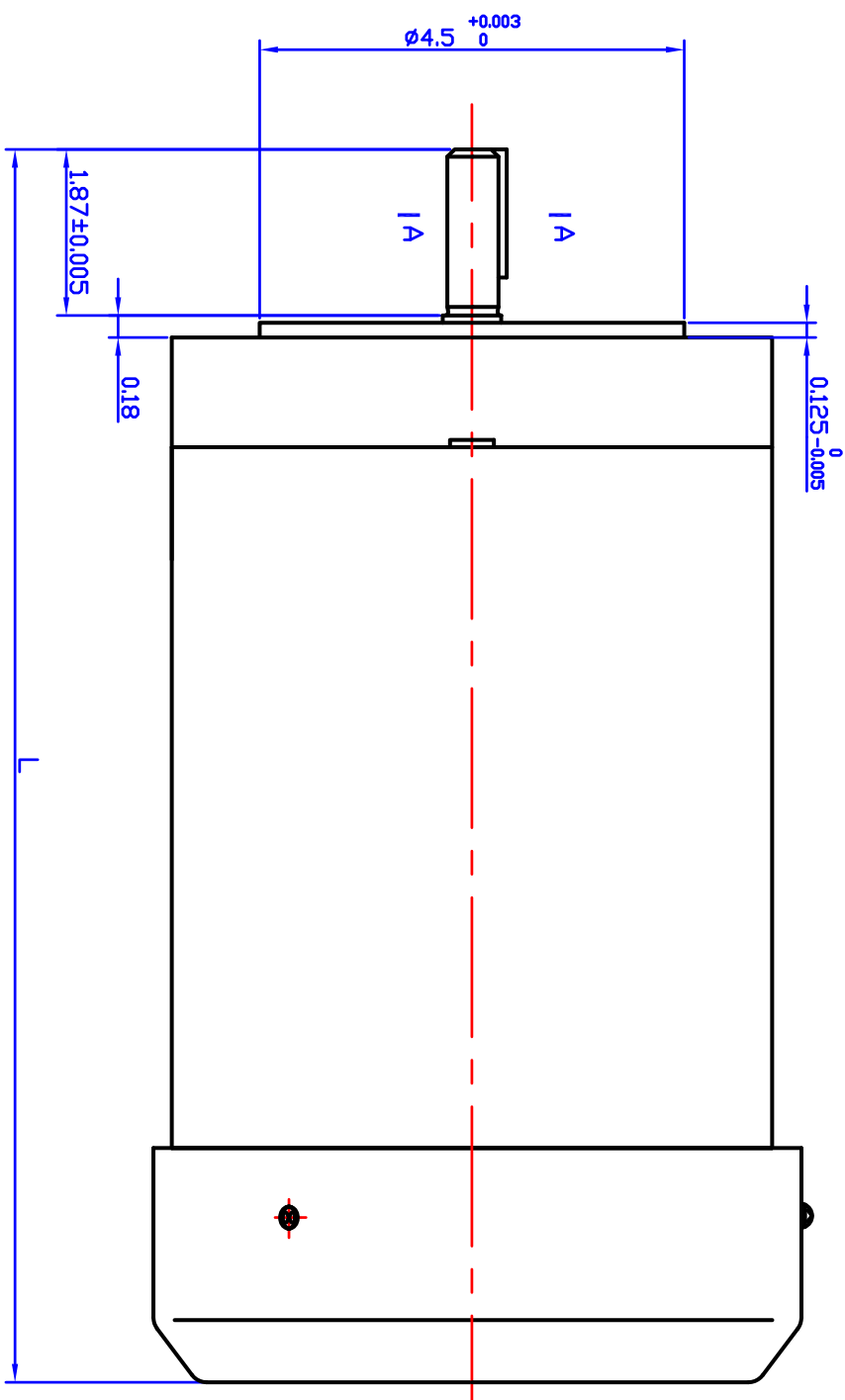
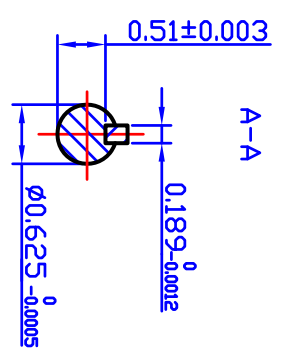


REV	ECO	REV BY	DATE	APPD	DATE
-----	-----	--------	------	------	------



REF. NO.	IND#	HP	60Hz VDLT	50Hz VDLT	POLE	FRAME	ENCLOSURE	thermal protector	L
T102UF5CNP5	TU210CR	1/0.75	208-230/460	190/380	2P	56C	TEFC	NDNE	12.8
T152UF5CNP5	TU215CR	1.5/1	208-230/460	190/380	2P	56C	TEFC	NDNE	12.8
T202UF5CNP5	TU220CR	2/1.5	208-230/460	190/380	2P	56C	TEFC	NDNE	13.2
T102CF5CNP5	TC210CR	1	575	/	2P	56C	TEFC	NDNE	12.8
T152CF5CNP5	TC215CR	1.5	575	/	2P	56C	TEFC	NDNE	12.8
T202CF5CNP5	TC220CR	2	575	/	2P	56C	TEFC	NDNE	13.2

DR BY:		EDS DATE	
APPD:		VERSION	
FIRST ANGLE PROJECTION			



AG-1 MOTORTEC INC.,

DESCRIPTION
TU210CR TU215CR TU220CR TC210CR TC215CR & TC200CR OUTLINE

CONFIDENTIAL PROPERTY OF GW ELECTRIC (SHANGHAI) CORPORATION AND ARE NOT TO BE DISCLOSED, DUPLICATED, OR OTHERWISE USED WITHOUT THE WRITTEN CONSENT OF GW ELECTRIC (SHANGHAI) CORPORATION, OR ITS AGENT, AG-1 MOTORTEC INC.
- ALL RIGHTS RESERVED

SIZE A3 DWG NO SCALE 1:2 SHEET