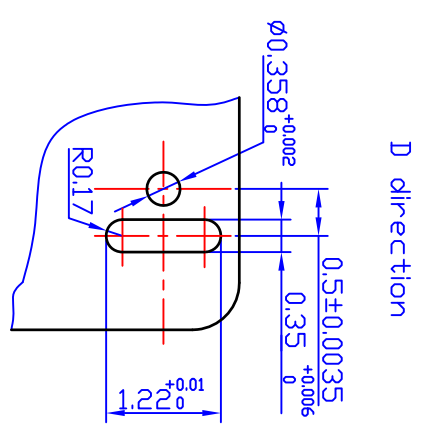
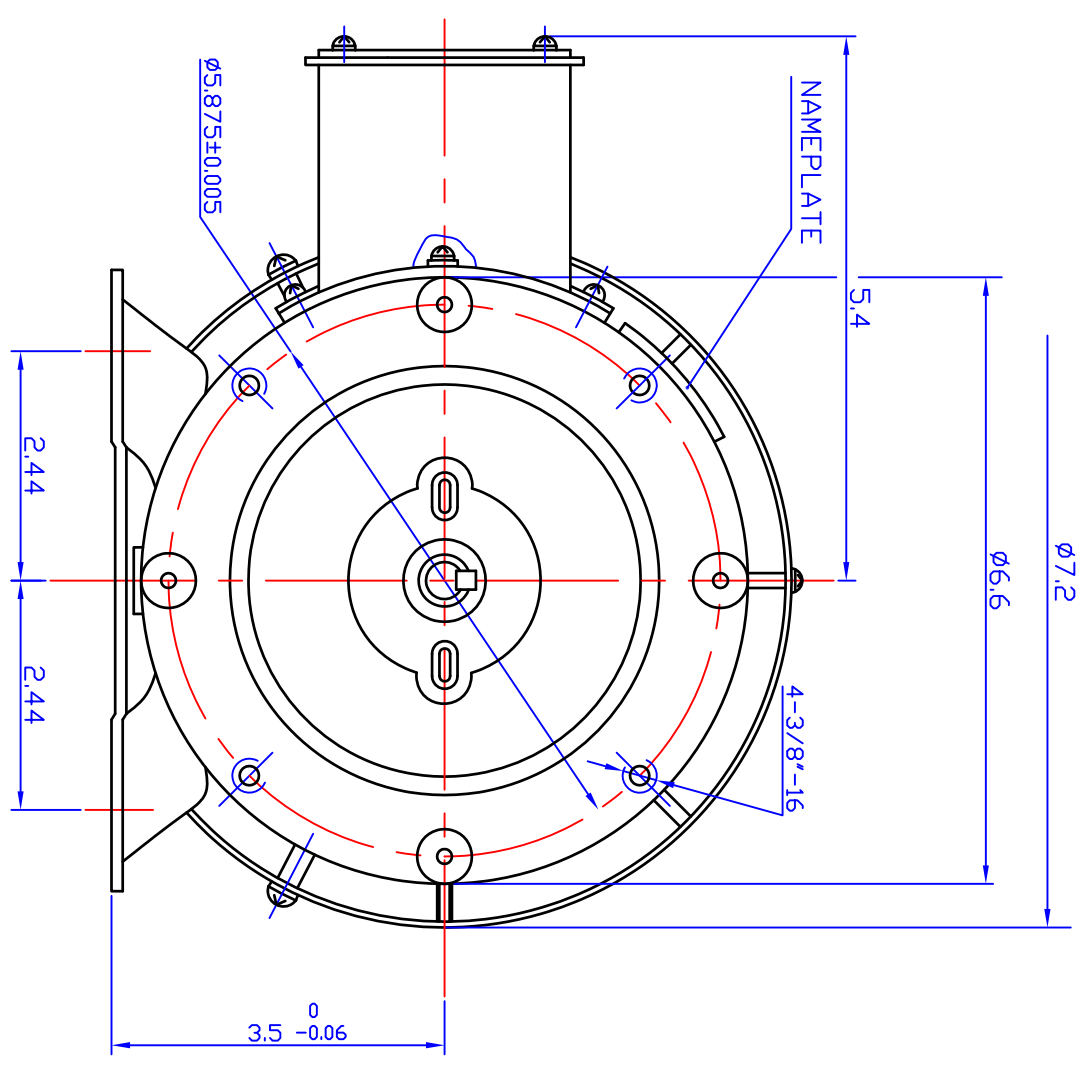
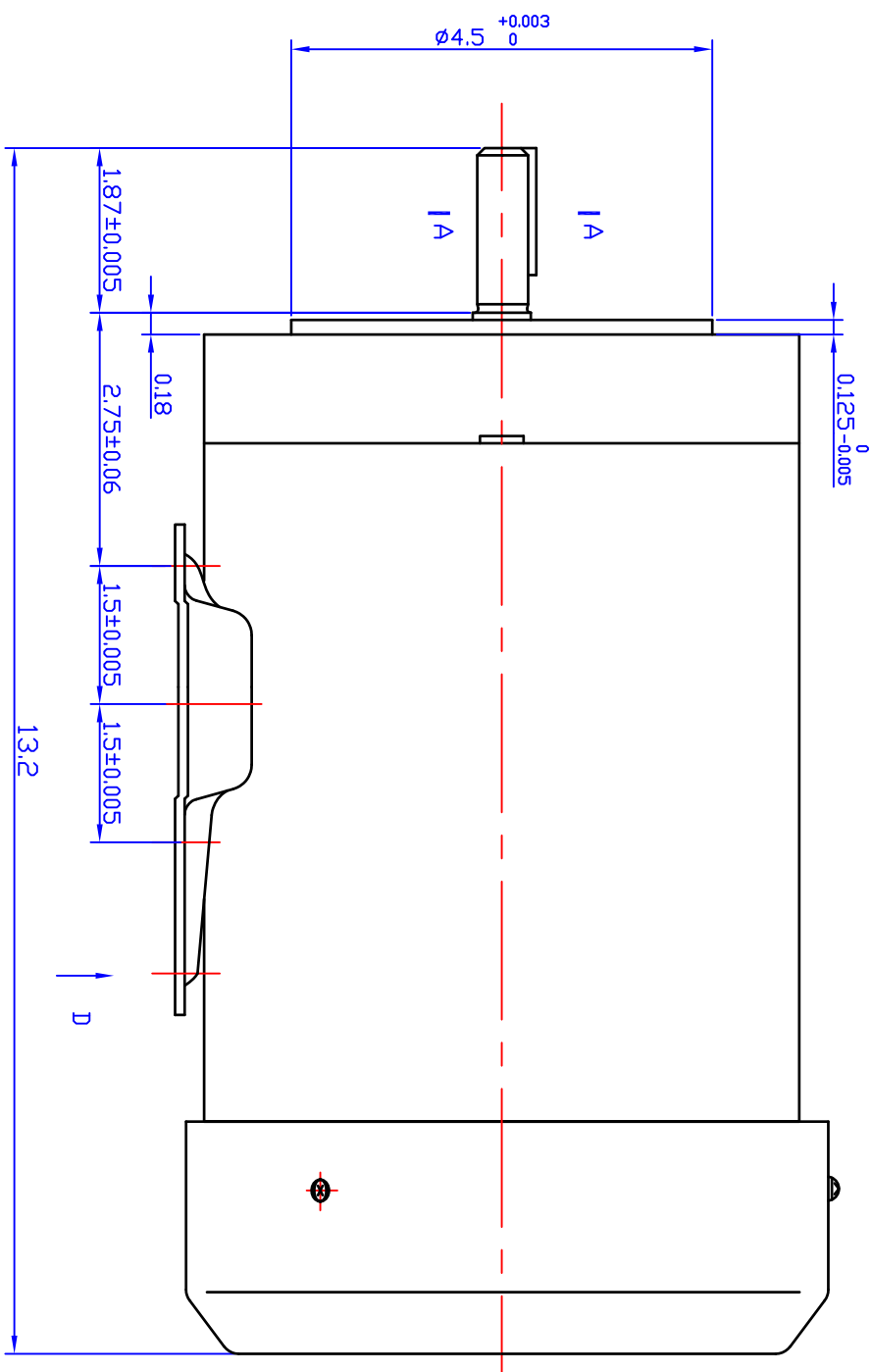
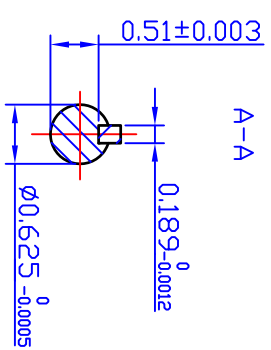



REV	ECO	REV BY	DATE	APPD	DATE



REF. NO.	IND#	HP	VOL T	HZ	POLE	FRAME	ENCLOSURE	thermal protector
	TC03A	1.5	575	60	4P	56C	TEFC	AUTD
	TU03A	1.5	230/460	60	4P	56C	TEFC	AUTD

DR BY: _____

APPD: _____

FIRST ANGLE PROJECTION 

EDS DATE _____

VERSION _____



AG-1 MOTORTEC INC.,

DESCRIPTION
TC03A & TU03A OUTLINE

CONFIDENTIAL PROPERTY OF GW ELECTRIC (SHANGHAI) CORPORATION AND ARE NOT TO BE DISCLOSED, DUPLICATED, OR OTHERWISE USED WITHOUT THE WRITTEN CONSENT OF GW ELECTRIC (SHANGHAI) CORPORATION, OR ITS AGENT, AG-1 MOTORTEC INC.
- ALL RIGHTS RESERVED

SIZE A3 DWG NO _____

SCALE 1:2 SHEET _____