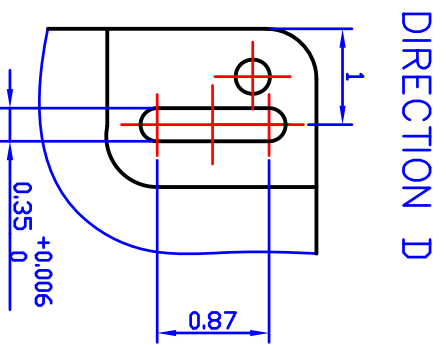
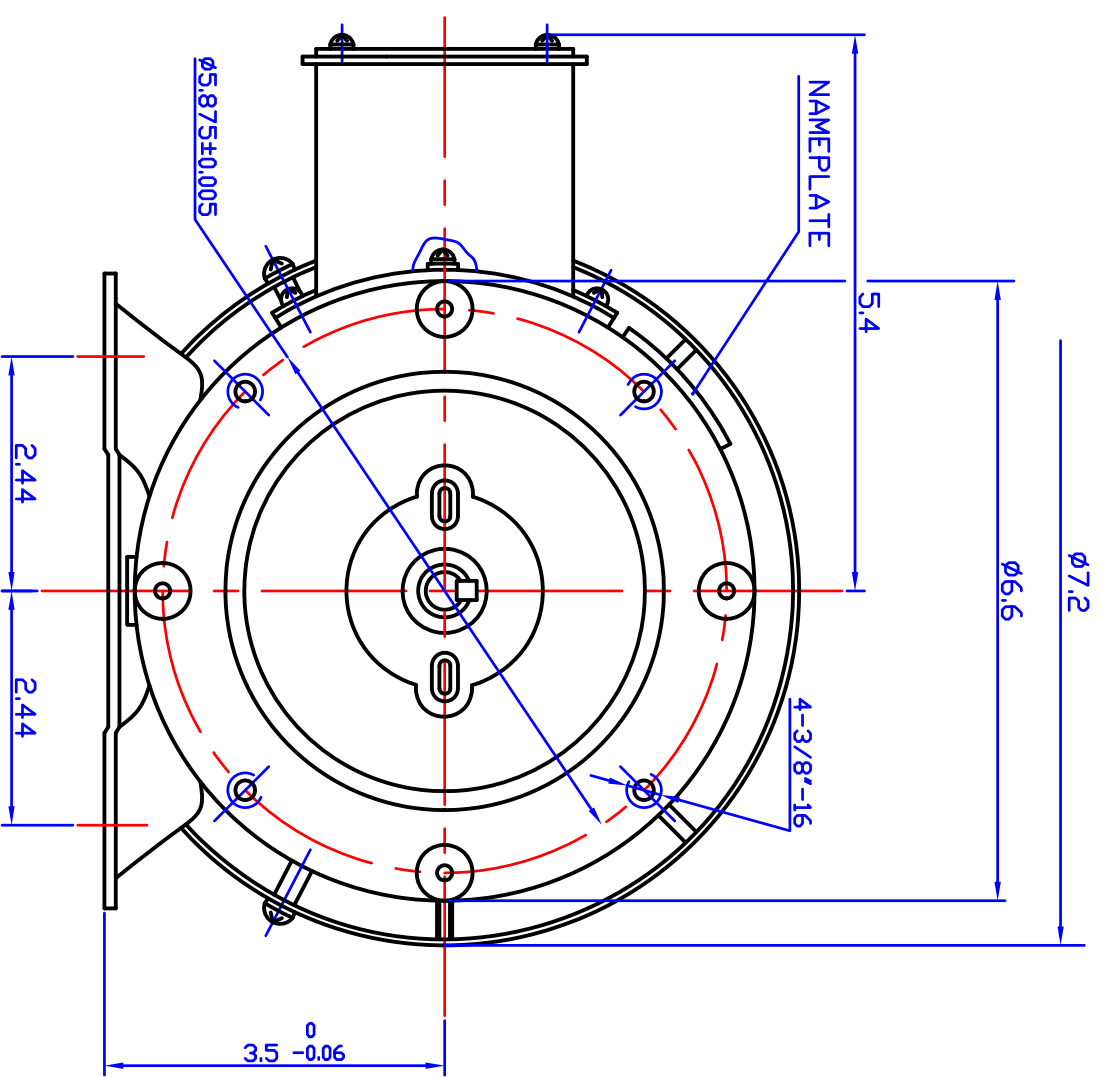
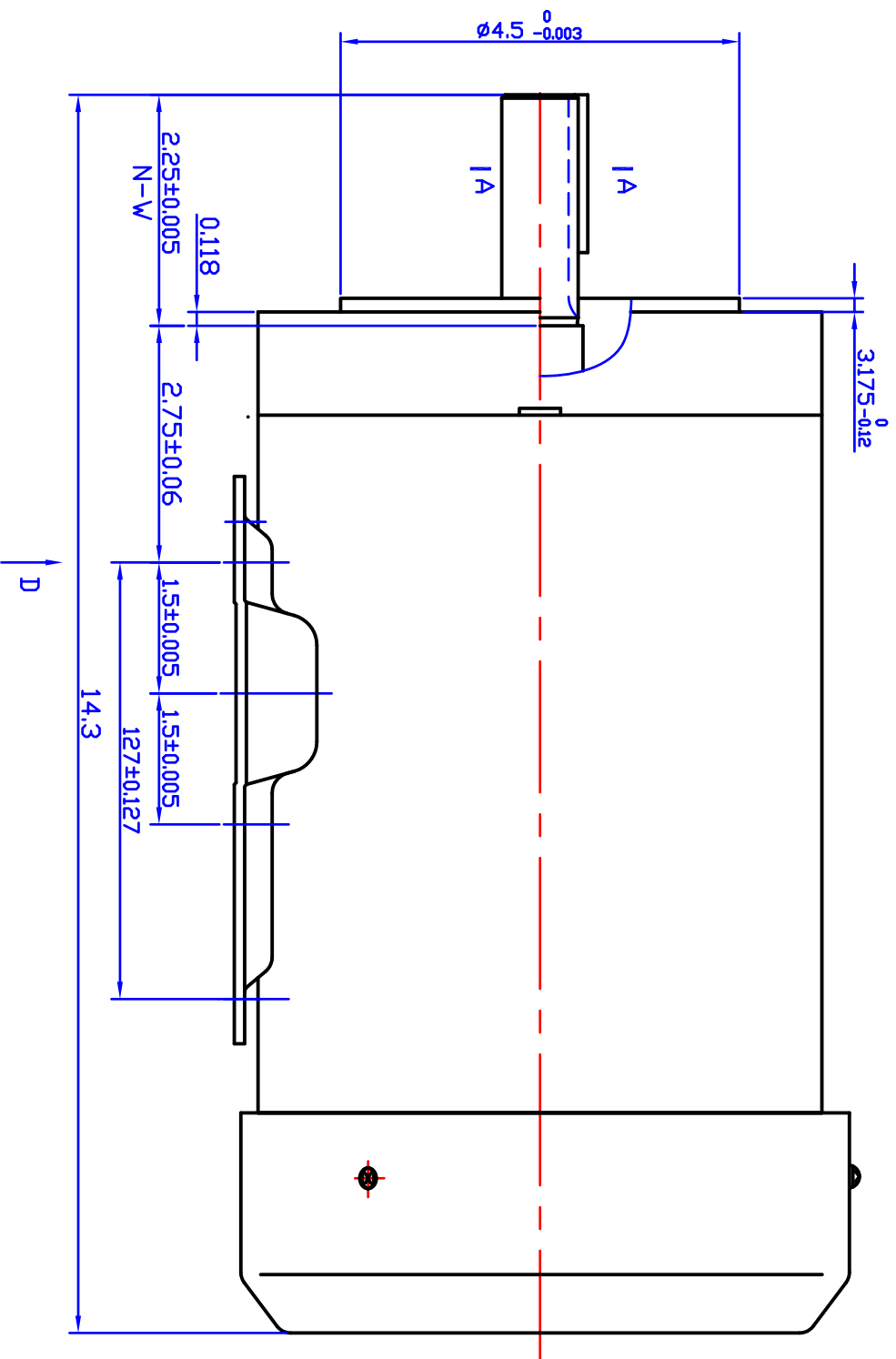
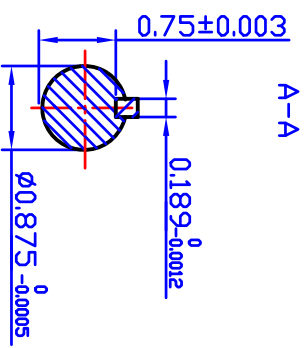


| REV | ECO | REV BY | DATE | APPD | DATE |
|-----|-----|--------|------|------|------|
| | | | | | |



| AG-I MODEL No. | FRAME | HP | VOLT | Hz | RPM | PH.S.F. | INSL. | Thermally Protector | endclose | DUTY | |
|----------------|-------|------|---------------------|-------|-----------|---------|-------|---------------------|----------|------|-------|
| GWR2-4-14STC | 14STC | 2.15 | 208-230/460,190/380 | 60,50 | 1745,1425 | 3 | 1.15 | F | NONE | TEFC | CDNT. |

| | | | |
|------------------------|--|----------|--|
| DR BY: | | EDS DATE | |
| APPD: | | VERSION | |
| FIRST ANGLE PROJECTION | | | |



AG-I MOTORTEC INC.,

DESCRIPTION
TC02CE GWR2-4-575-14STC

SIZE
A3

SCALE
1:2

SHEET

CONFIDENTIAL PROPERTY OF GW ELECTRIC (SHANGHAI) CORPORATION AND ARE NOT TO BE DISCLOSED, DUPLICATED, OR OTHERWISE USED WITHOUT THE WRITTEN CONSENT OF GW ELECTRIC (SHANGHAI) CORPORATION, OR ITS AGENT, AG-I MOTORTEC INC.
- ALL RIGHTS RESERVED