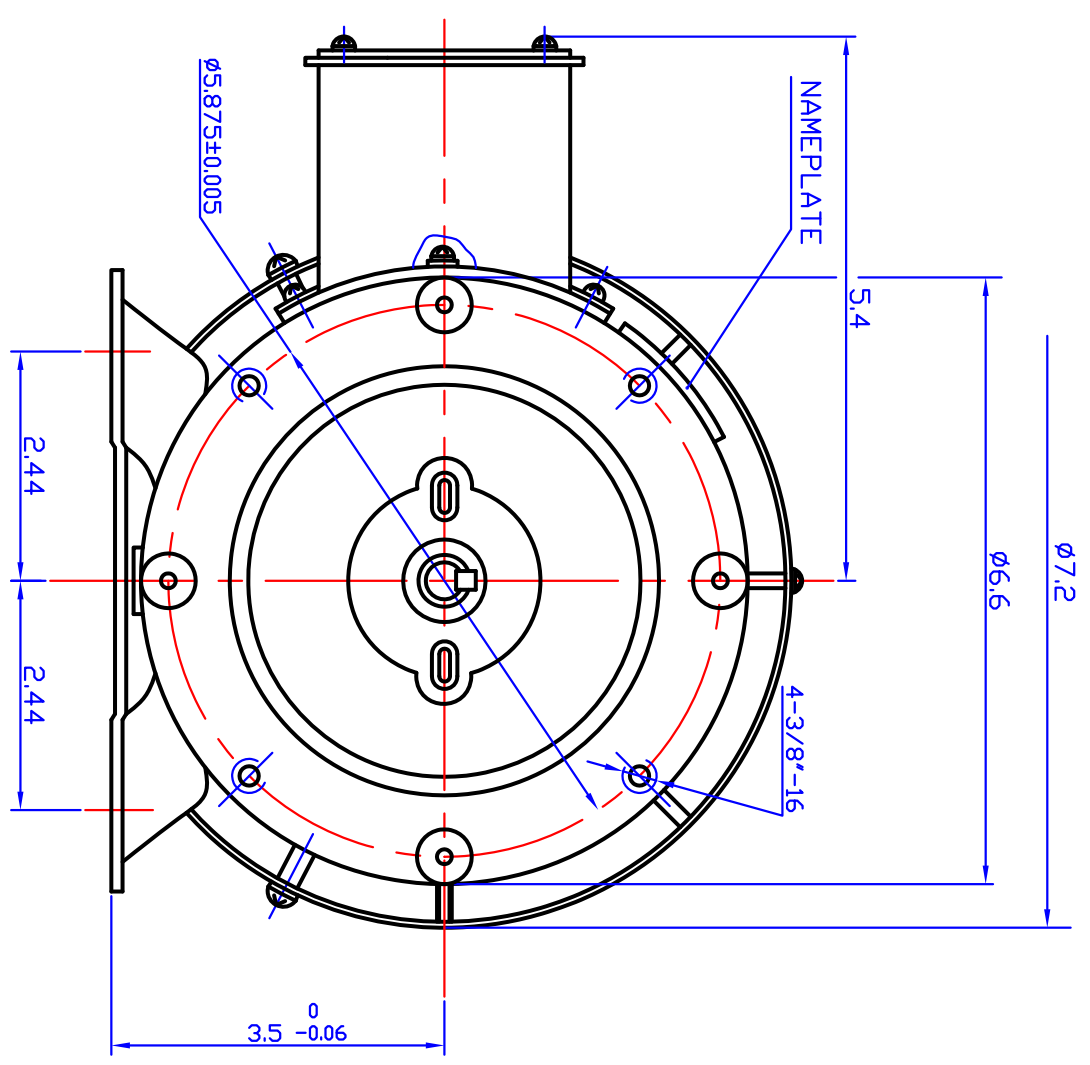
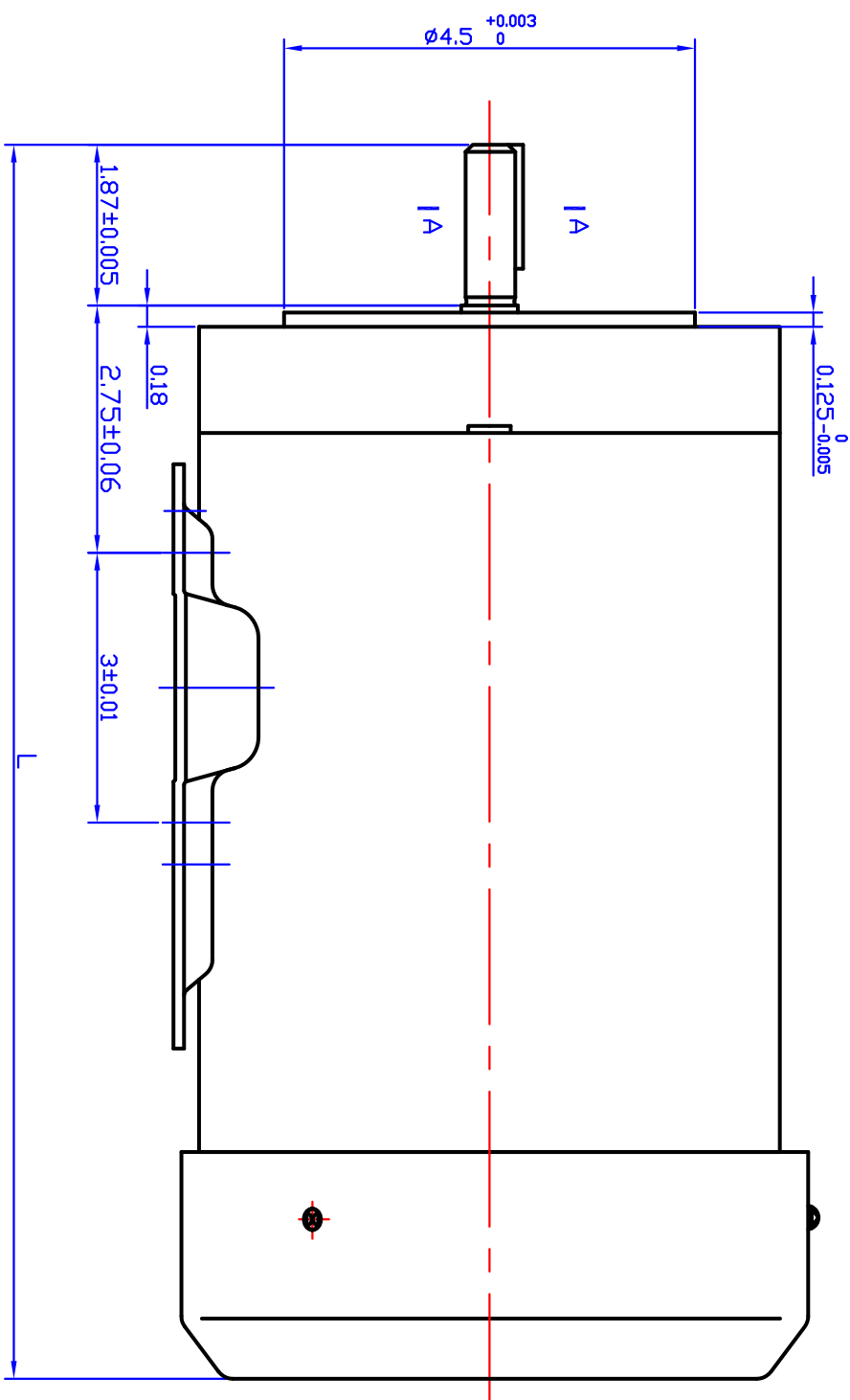
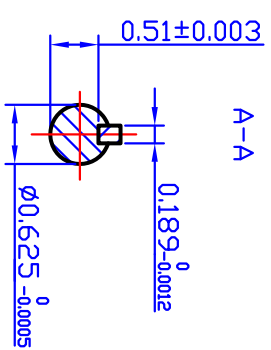
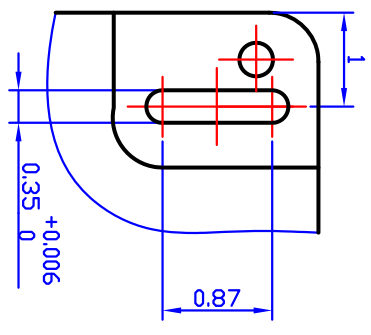


REV	ECO	REV BY	DATE	APPD	DATE



DIRECTION D



AGI REF. NO.	IND.#	HP	VOLT	Hz	POLE	FRAME	ENCLOSURE	L
GW/R2-4-NS6	TU01CE	2	230/460	60	4P	S6C	TEFC	13.9
GW/R2-4-575-NS6	TC01CE	2	575	60	4P	S6C	TEFC	13.9
GW/R1-4-NS6	T035CE	1	230/460	60	4P	S6C	TEFC	13.5

DR BY:		EDS DATE	
APPD:		VERSION	
FIRST ANGLE PROJECTION			



AG-1 MOTORTEC INC.,

DESCRIPTION
TU01CE TC01CE & T035CE OUTLINE

CONFIDENTIAL PROPERTY OF GW ELECTRIC (SHANGHAI) CORPORATION AND ARE NOT TO BE DISCLOSED, DUPLICATED, OR OTHERWISE USED WITHOUT THE WRITTEN CONSENT OF GW ELECTRIC (SHANGHAI) CORPORATION, OR ITS AGENT, AG-1 MOTORTEC INC.
- ALL RIGHTS RESERVED

SIZE A3 DWG NO SCALE 1:2 SHEET