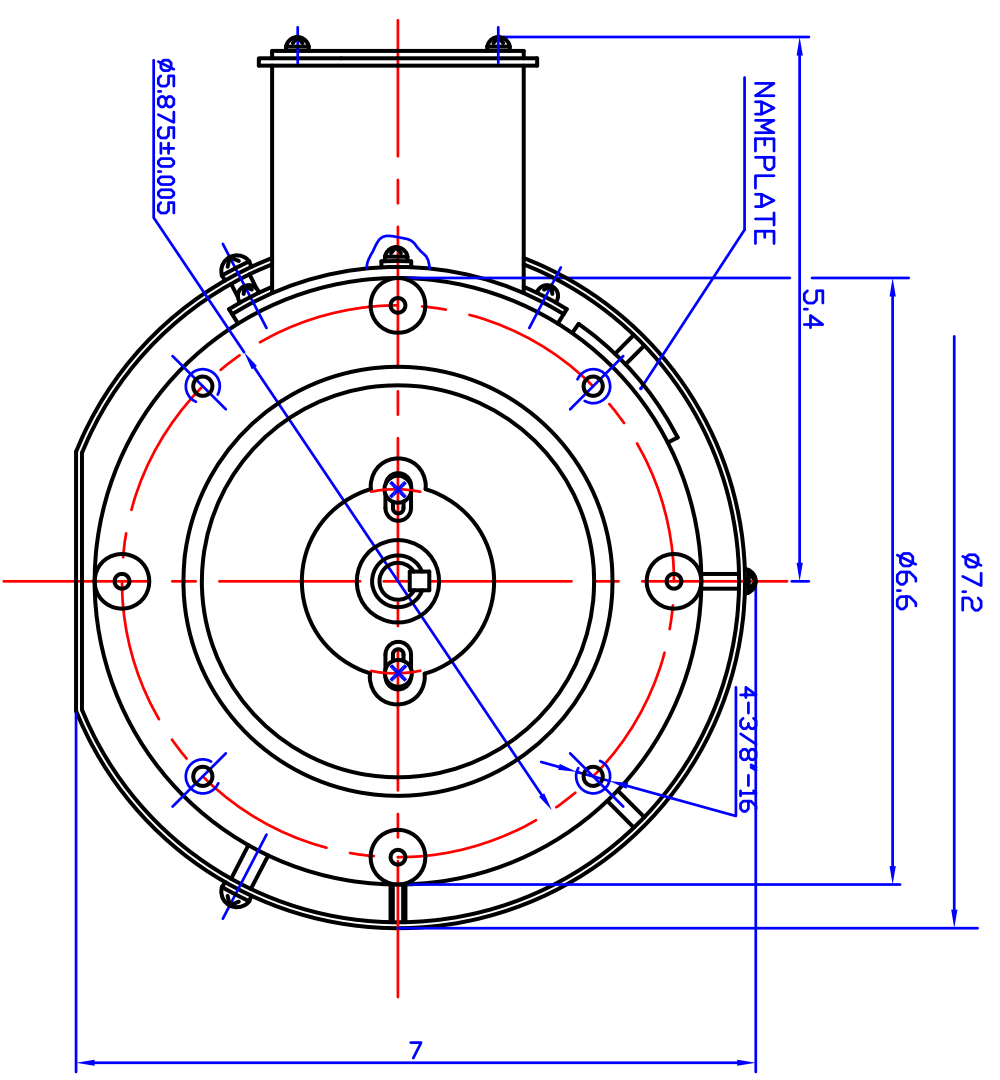
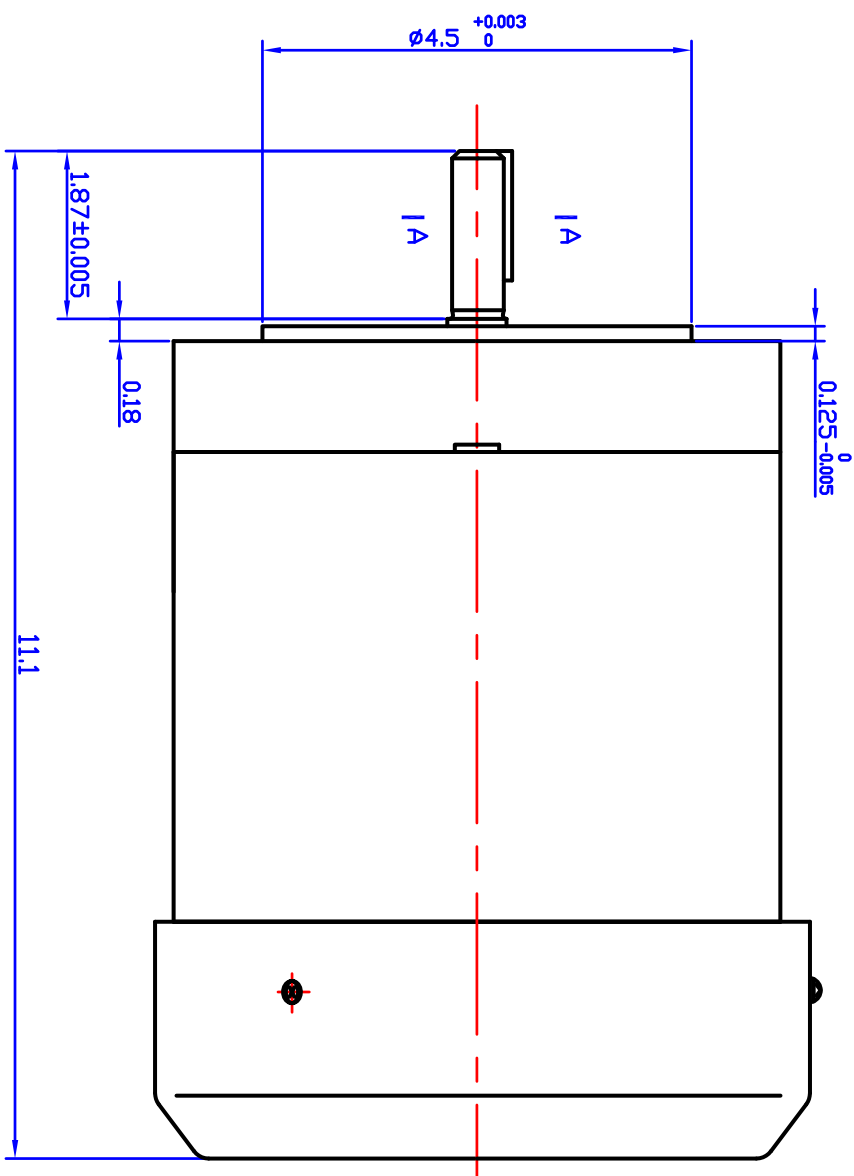
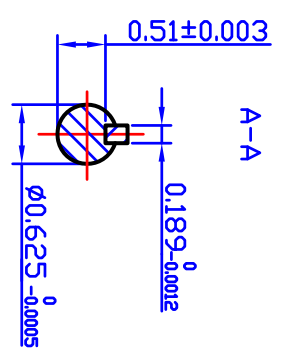


REV	ECO	REV BY	DATE	APPD	DATE
-----	-----	--------	------	------	------



REF. NO.	IND.#	HP	60Hz VDLT	50Hz VDLT	POLE	FRAME	ENCLOSURE	thermal protector
T332UF5CN00	TU23CR	1/3,1/4	208-230/460	190/380	2P	56C	TEFC	NDNE
T052UF5CN00	TU25CR	1/2,1/3	208-230/460	190/380	2P	56C	TEFC	NDNE
T752UF5CN00	TU27CR	3/4,1/2	208-230/460	190/380	2P	56C	TEFC	NDNE
T332CF5CN00	TC23CR	1/3	575		2P	56C	TEFC	NDNE
T052CF5CN00	TC25CR	1/2	575		2P	56C	TEFC	NDNE
T752CF5CN00	TC27CR	3/4	575		2P	56C	TEFC	NDNE

DR BY: _____
 APPD: _____

FIRST ANGLE PROJECTION

EDS DATE _____
 VERSION _____



AG-1 MOTORTEC INC.,

DESCRIPTION
 TU23CR TU25CR TU27CR TC23CR TC25CR & TC27CR OUTLINE

CONFIDENTIAL PROPERTY OF GW ELECTRIC (SHANGHAI) CORPORATION AND ARE NOT TO BE DISCLOSED, DUPLICATED, OR OTHERWISE USED WITHOUT THE WRITTEN CONSENT OF GW ELECTRIC (SHANGHAI) CORPORATION, OR ITS AGENT, AG-1 MOTORTEC INC.
 - ALL RIGHTS RESERVED

SIZE A3 DWG NO _____
 SCALE 1:2 SHEET _____