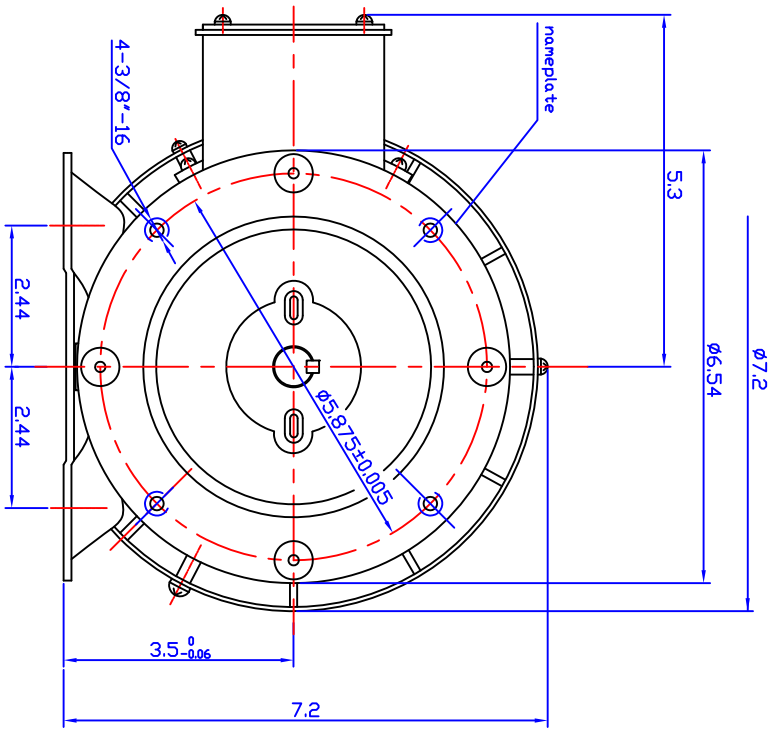
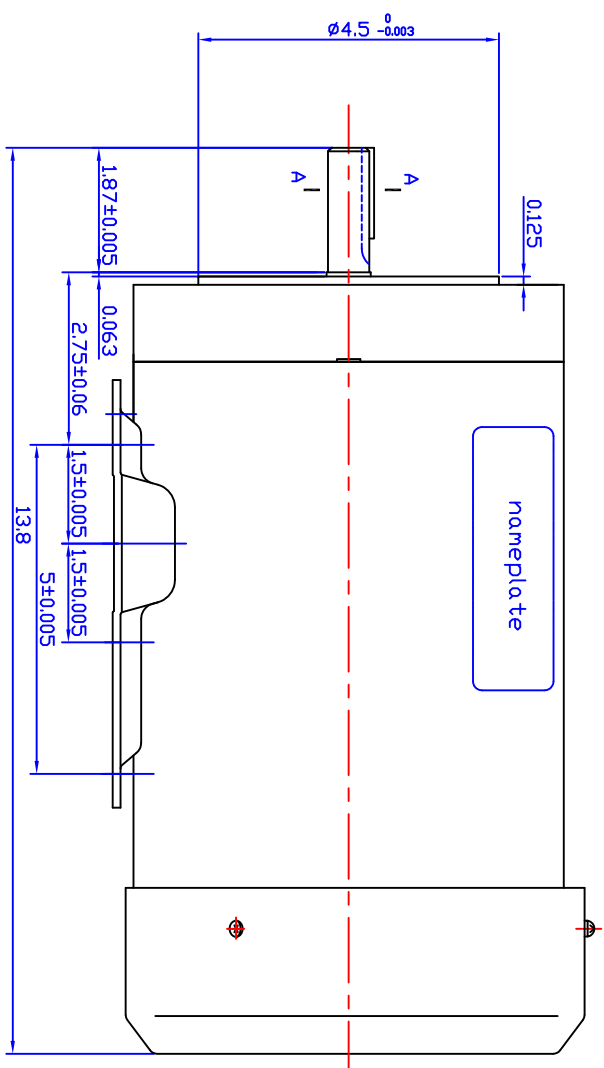
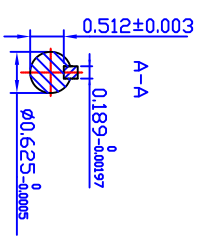


REV	ECO	REV BY	DATE	APPD	DATE



IND#	FRAME	PH	HP	Pole	RPM	Hz	Volt	thermal protector	S.F	INSL.	EFF
T444CE	56C	3	1.5	4	1725	60	208-230/460	NDNE.	1.15	F	86.5%

DR BY: \_\_\_\_\_

APPD: \_\_\_\_\_

FIRST ANGLE PROJECTION VERSION \_\_\_\_\_

EDS DATE \_\_\_\_\_

CONFIDENTIAL: THIS DRAWING AND ITS INFORMATION ARE THE EXCLUSIVE AND CONFIDENTIAL PROPERTY OF GW ELECTRICAL (SHANGHAI) CORPORATION AND ARE NOT TO BE DISCLOSED, DUPLICATED, DISTRIBUTED OR OTHERWISE USED WITHOUT THE WRITTEN CONSENT OF GW ELECTRICAL (SHANGHAI) CORPORATION.  
-ALL RIGHTS RESERVED.

AG-I MOTORTEC INC.,

DESCRIPTION: T444CE OUTLINE

SIZE: A3 DWG NO: \_\_\_\_\_

SCALE: 1:2 SHEET: \_\_\_\_\_