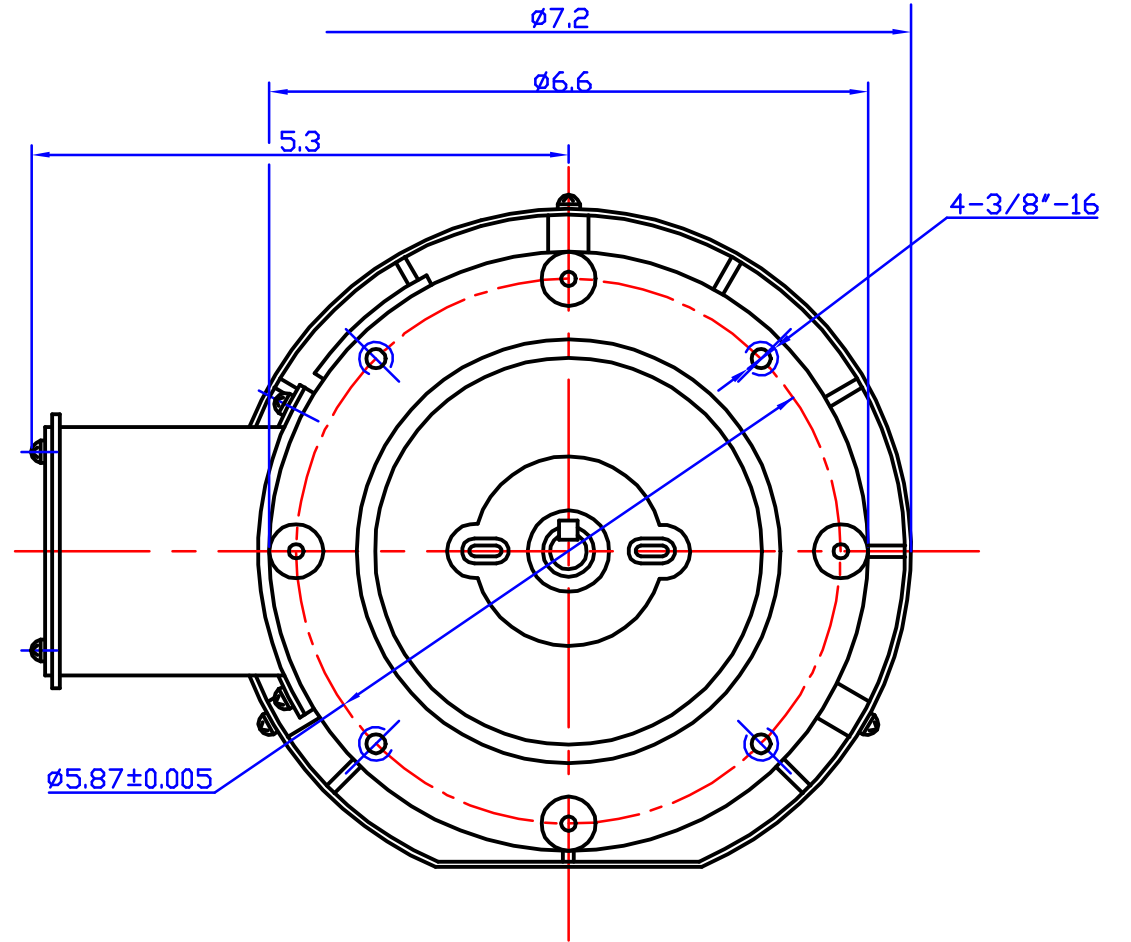
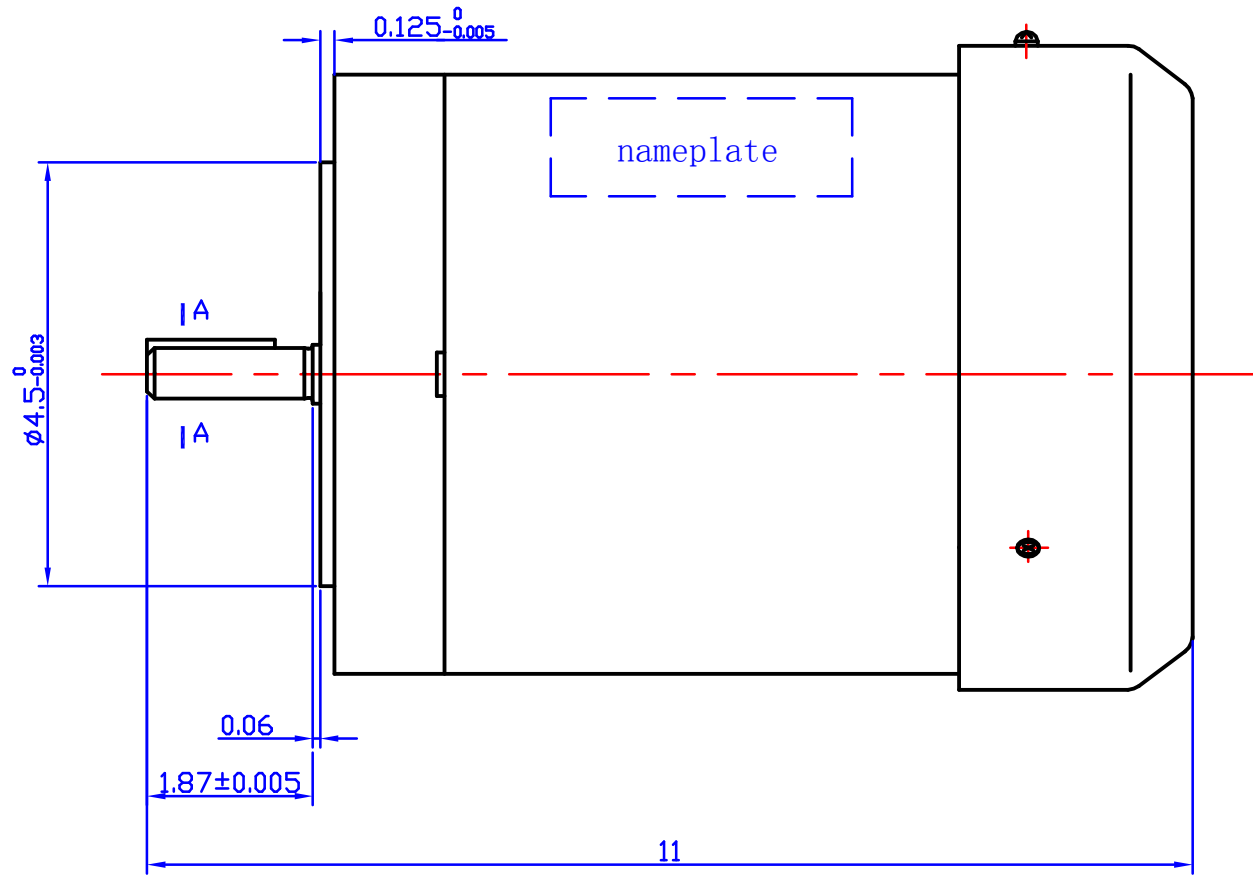
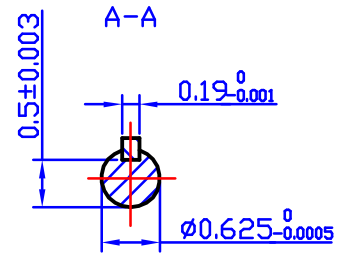




REV	ECO	REV BY	DATE	APPD	DATE



GW MODEL	IND#	REF Number	FRAME	Pole	PH	HP	RPM	Hz	Volt
YSA5614-E	T046	T054UF5CN00	56C	4	3	1/2	1725	60	208-230/460
YSA5614G-E	T176	T054CF5CN00	56C	4	3	1/2	1725	60	575
YSA5624G-A1N	T047	T754UF5CN00	56C	4	3	3/4	1725	60	208-230/460
YSA5624G-AN	T177	T754CF5CN00	56C	4	3	3/4	1725	60	575

DR BY:		 AG-I MOTORTEC INC.,
APPD:		
FIRST ANGLE PROJECTION 	EDS DATE VERSION	DESCRIPTION T046、T176、T047、T177 OUTLINE
CONFIDENTIAL: THIS DRAWING AND ITS INFORMATION ARE THE EXCLUSIVE AND CONFIDENTIAL PROPERTY OF GW ELECTRIC (SHANGHAI) CORPORATION AND ARE NOT TO BE DISCLOSED, DUPLICATED, DISTRIBUTED OR OTHERWISE USED WITHOUT THE WRITTEN CONSENT OF GW ELECTRIC (SHANGHAI) CORPORATION. -ALL RIGHTS RESERVED.		SIZE A3 DWG NO SCALE SHEET