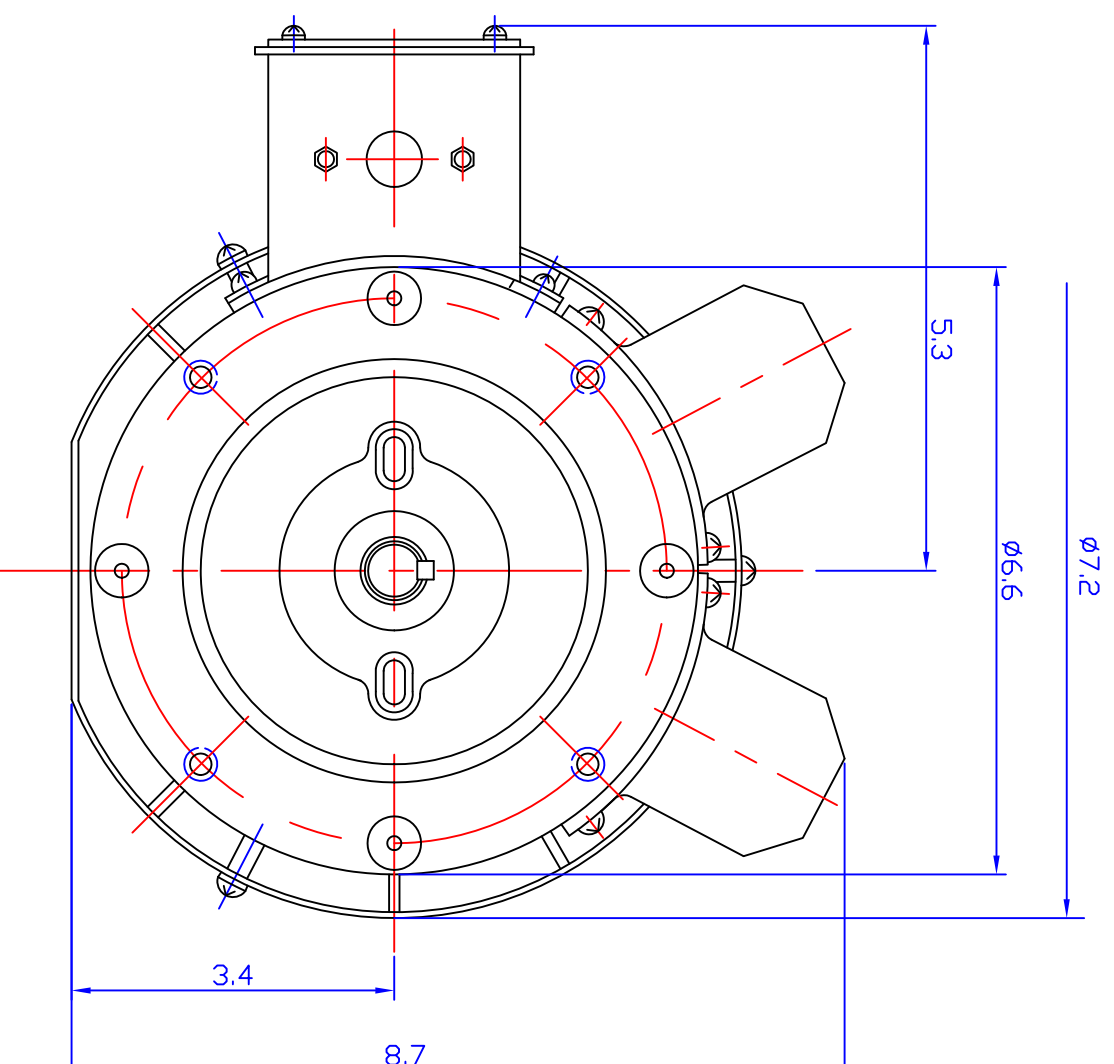
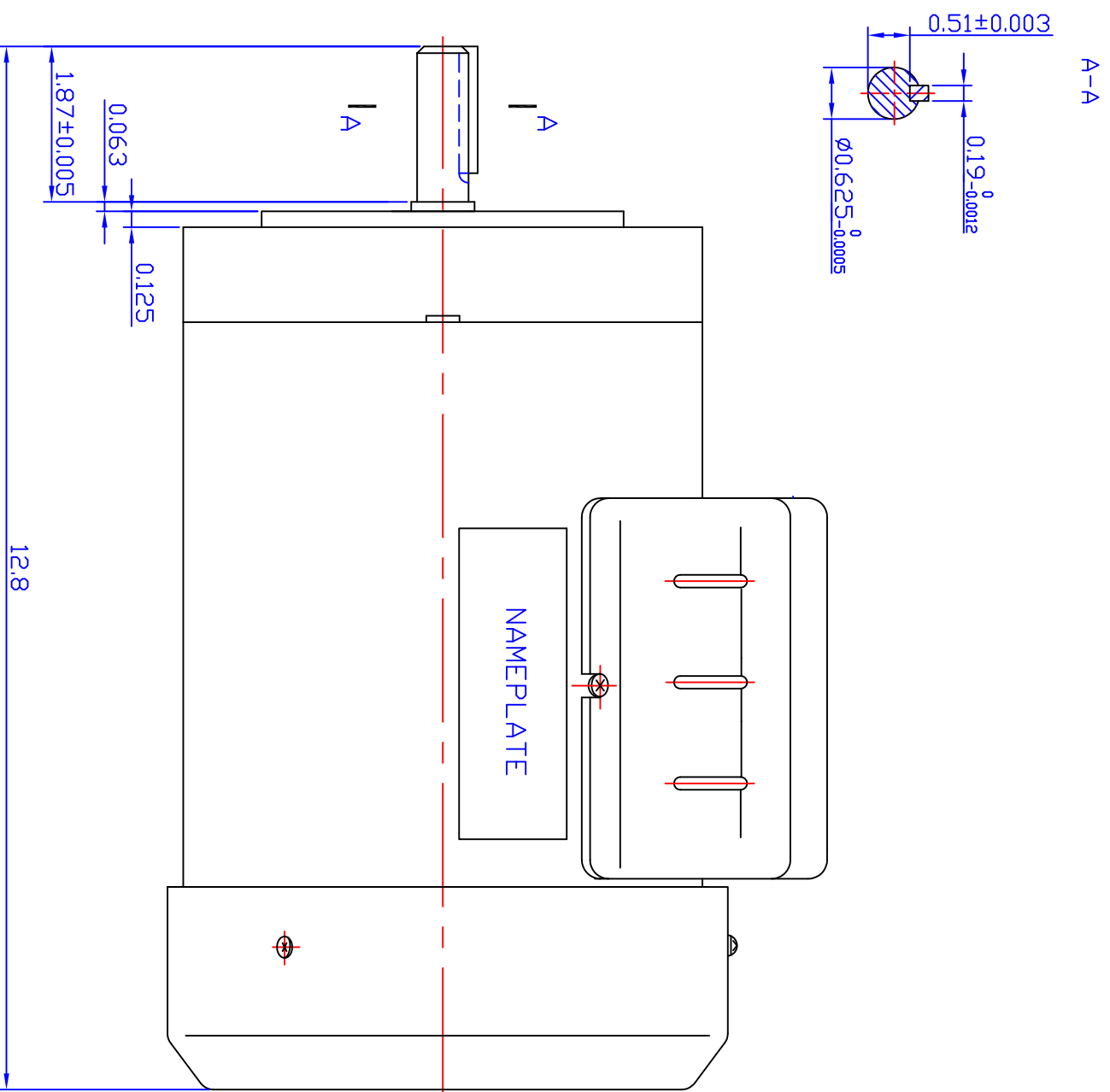


REV	ECO	REV BY	DATE	APPD	DATE



AG-I MODEL No.	FRAME	HP	VOLTS	HZ	RPM	PH	S.F.	INSL.	Thermally Protector	endclose	DUTY
K104DF5CM00	S6C	1.0	115/208-230	60	1725	1	1.15	F	CEDE2797	TEFC	CONT.

DR BY: _____

APPD: _____

FIRST ANGLE PROJECTION  EDS DATE _____ VERSION _____

DESCRIPTION  **AG-I MOTORTEC INC.,**
K494 K104DF5CM00

CONFIDENTIAL PROPERTY OF GW ELECTRIC (SHANGHAI) CORPORATION AND ARE NOT TO BE DISCLOSED, DUPLICATED, OR OTHERWISE USED WITHOUT THE WRITTEN CONSENT OF GW ELECTRIC (SHANGHAI) CORPORATION, OR ITS AGENT, AG-I MOTORTEC INC.
- ALL RIGHTS RESERVED

SIZE **A3** DWG NO _____

SCALE 1:2 SHEET _____