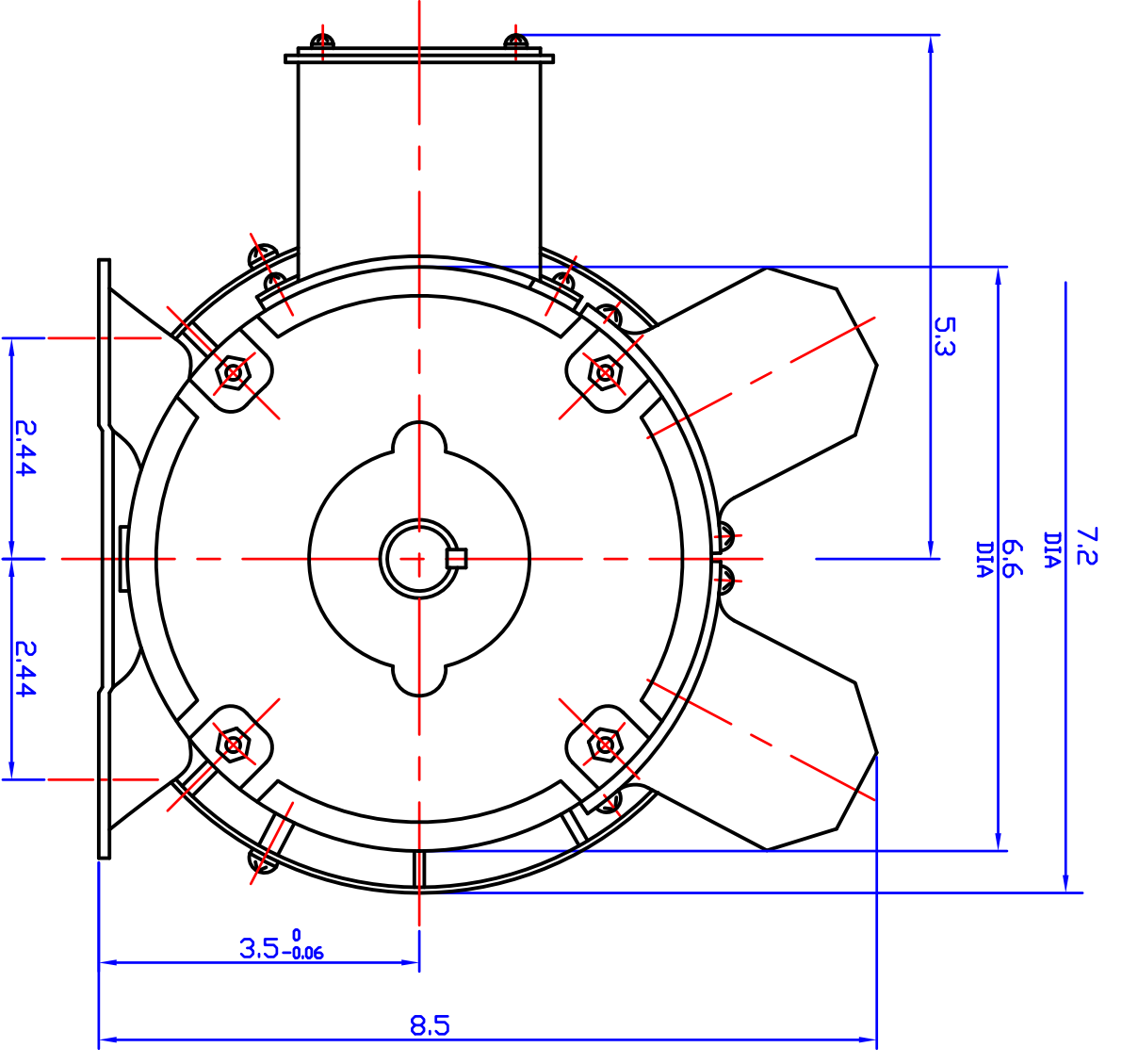
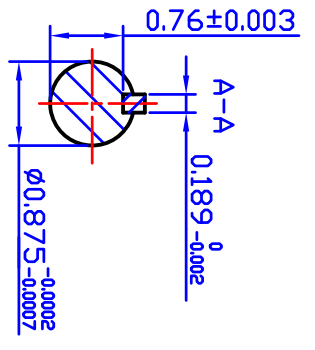
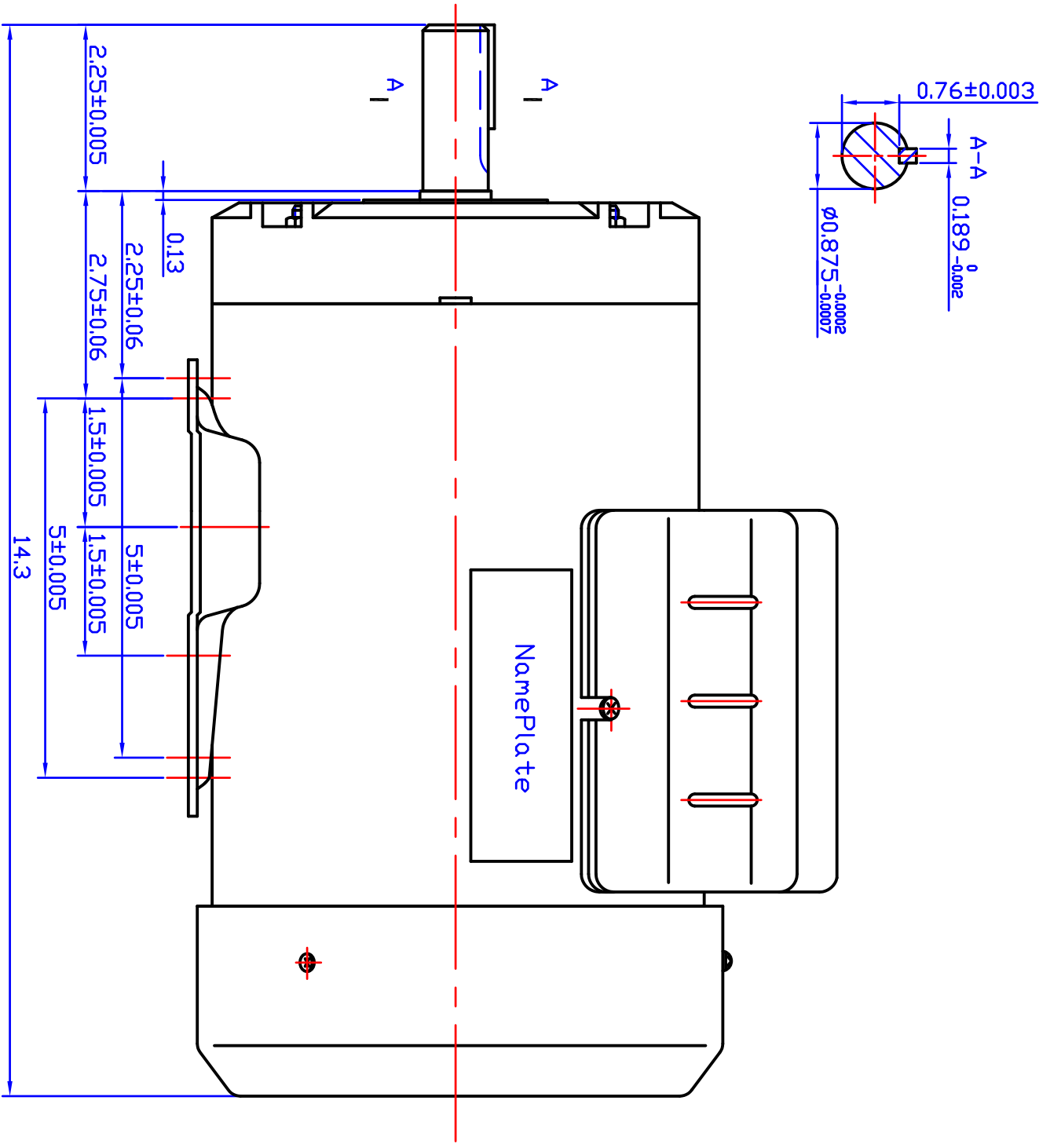
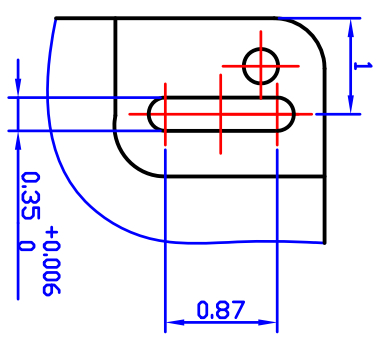


REV	ECO	REV BY	DATE	APPD	DATE




AG-I MODEL No.	FRAME	HP	VOLTS	HZ	RPM	PH	S.F.	INSL.	Thermally Protector	endclose	DUTY
K302HF7BN00	145T	3.0	230	60	3450	1	1.0	F	NDNE	TEFC	CONT.

DIRECTION D




DR BY: _____

APPD: _____

FIRST ANGLE PROJECTION  EDS DATE _____
VERSION _____

CONFIDENTIAL PROPERTY OF GW ELECTRIC (SHANGHAI) CORPORATION AND ARE NOT TO BE DISCLOSED, DUPLICATED, OR OTHERWISE USED WITHOUT THE WRITTEN CONSENT OF GW ELECTRIC (SHANGHAI) CORPORATION, OR ITS AGENT, AG-I MOTORTEC INC.
- ALL RIGHTS RESERVED

DESCRIPTION:  AG-I MOTORTEC INC.,
K341 K302HF7BN00

SIZE: A3 DWG NO _____

SCALE: 1:2 SHEET _____