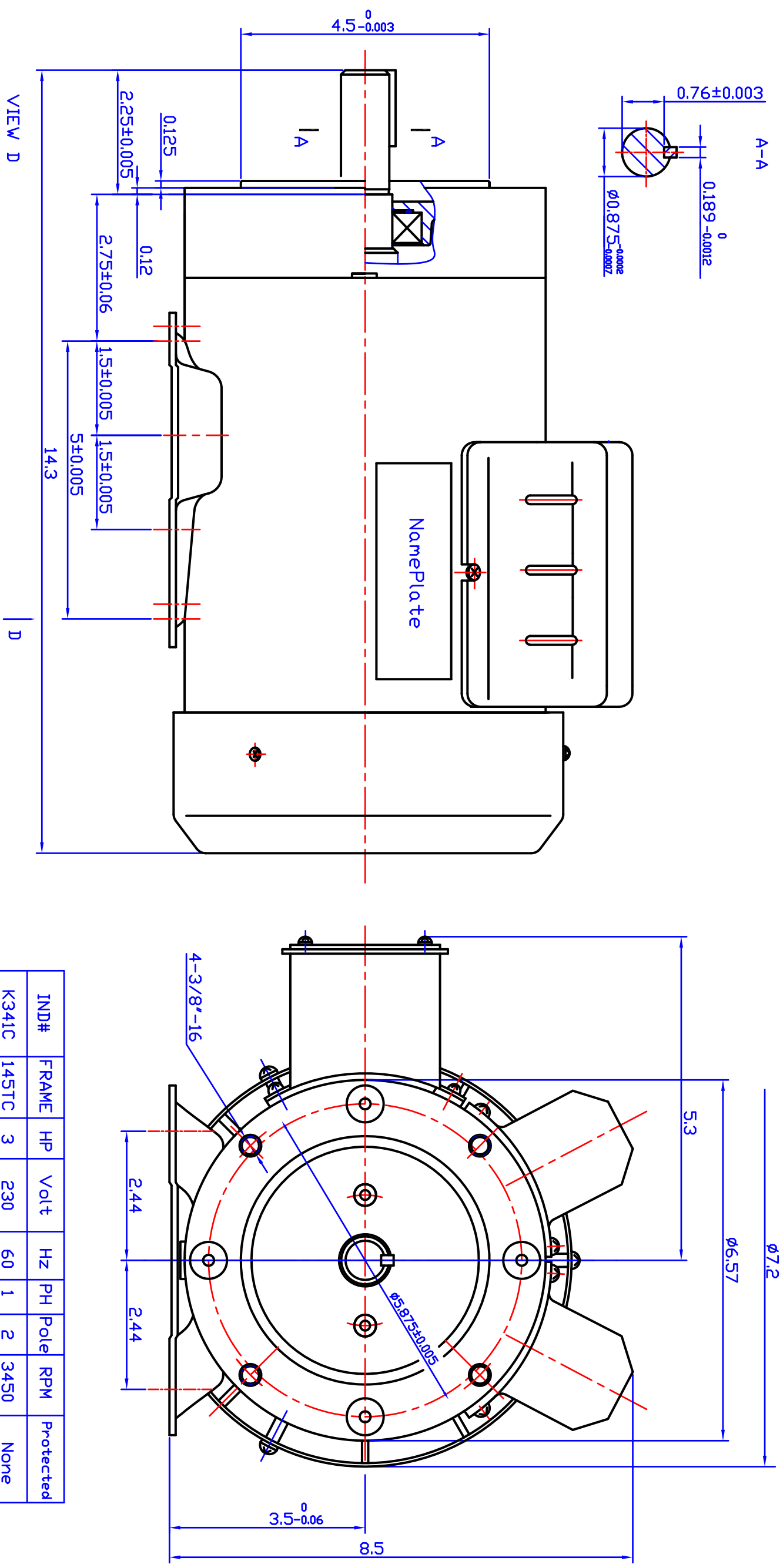
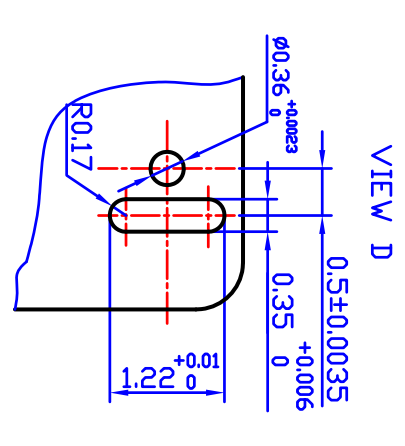


| REV | ECO | REV BY | DATE | APPD | DATE |
|-----|-----|--------|------|------|------|
| | | | | | |



| IND# | FRAME | HP | Volt | Hz | PH | Pole | RPM | Protected |
|-------|-------|----|------|----|----|------|------|-----------|
| K341C | 145TC | 3 | 230 | 60 | 1 | 2 | 3450 | None |



| | |
|------------------------|----------|
| DR BY: | Candy |
| APPD: | |
| FIRST ANGLE PROJECTION | EDS DATE |
| | VERSION |

| | |
|-------------|---------------------|
| AG-I | AG-I MOTORTEC INC., |
| DESCRIPTION | K341C OUTLINE |
| SIZE | A3 DWG NO |
| SCALE | 1:1 |

CONFIDENTIAL PROPERTY OF GW ELECTRIC (SHANGHAI) CORPORATION AND ARE NOT TO BE DISCLOSED, DUPLICATED, OR OTHERWISE USED WITHOUT THE WRITTEN CONSENT OF GW ELECTRIC (SHANGHAI) CORPORATION, OR ITS AGENT, AG-I MOTORTEC INC.
- ALL RIGHTS RESERVED

SHEET