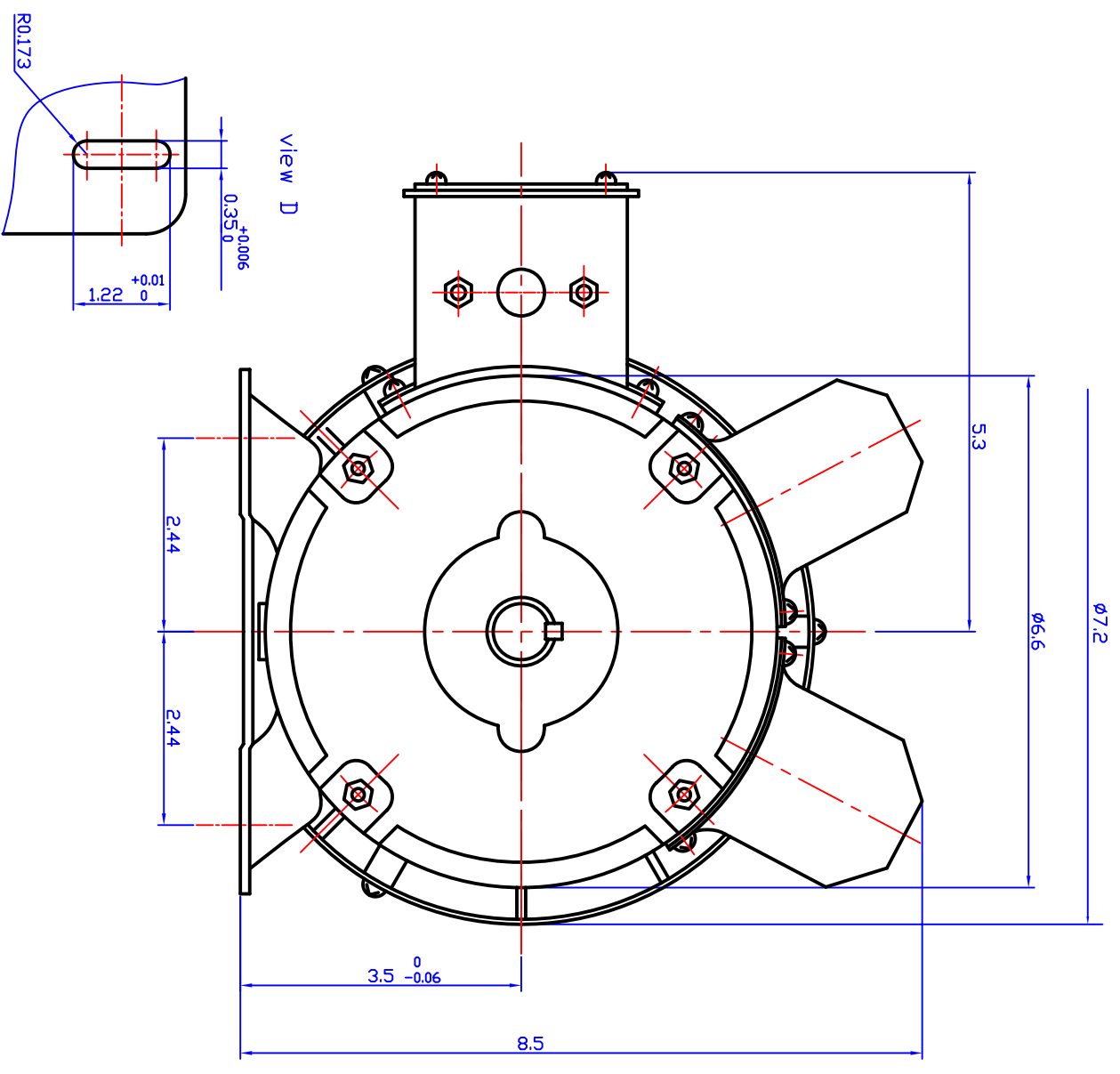
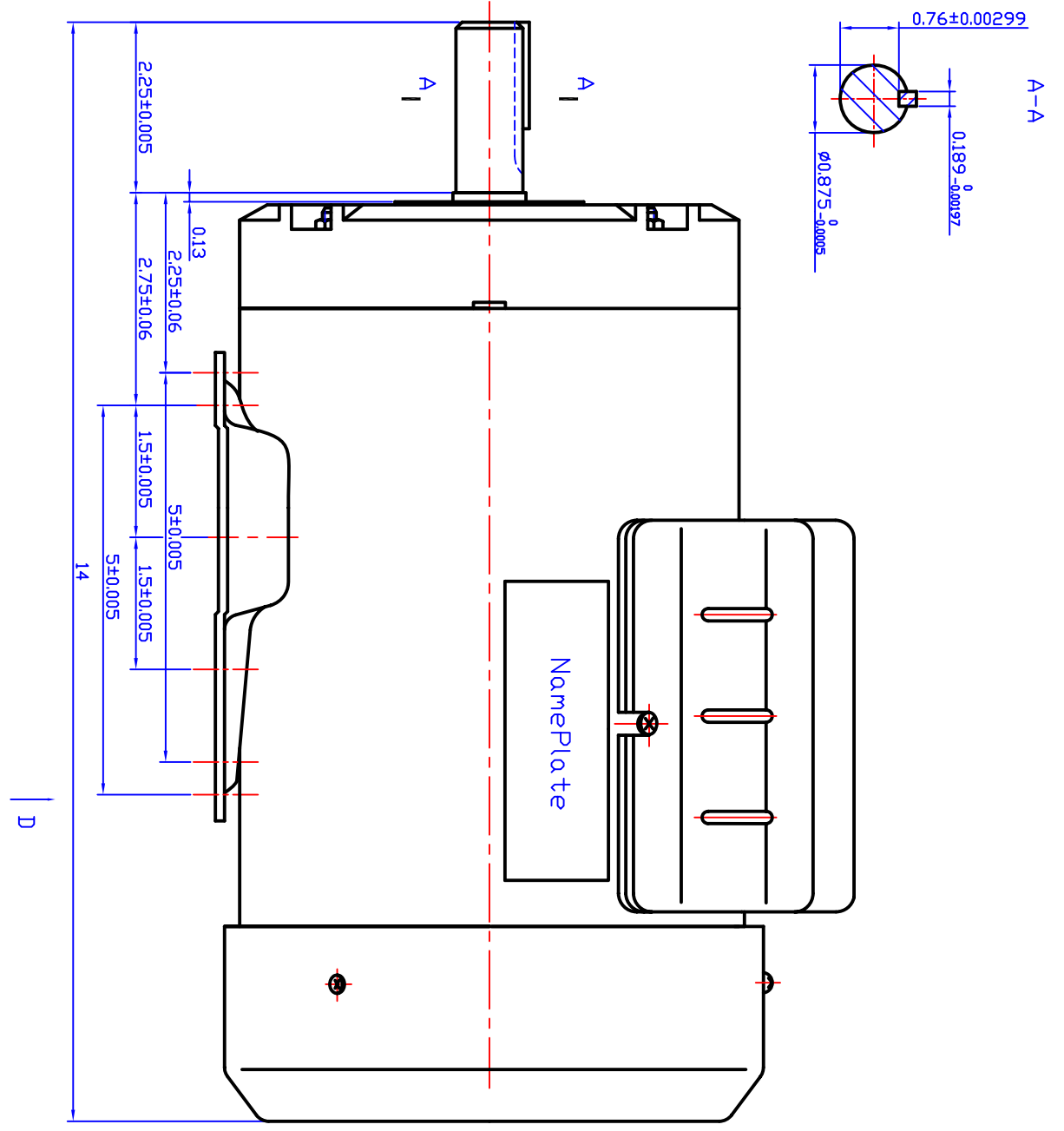


REV	ECO	REV BY	DATE	APPD	DATE



AGI REF.#	FRAME	PH	HP	Pole	HZ	RPM	Volt	thermal protector
K090	145T	1	2	4	60	1725	230	CED3706

DR BY: _____

APPD: _____

FIRST ANGLE PROJECTION 

EDS DATE _____

VERSION _____

DESCRIPTION  **AG-1 MOTORTEC INC.,**

DUTLINE

CONFIDENTIAL: THIS DRAWING AND ITS INFORMATION ARE THE EXCLUSIVE AND CONFIDENTIAL PROPERTY OF GM ELECTRIC (SHANGHAI) CORPORATION AND ARE NOT TO BE DISCLOSED, DUPLICATED, DISTRIBUTED OR OTHERWISE USED WITHOUT THE WRITTEN CONSENT OF GM ELECTRIC (SHANGHAI) CORPORATION.

SIZE **A3** DWG NO _____

SCALE _____ SHEET _____

-ALL RIGHTS RESERVED.