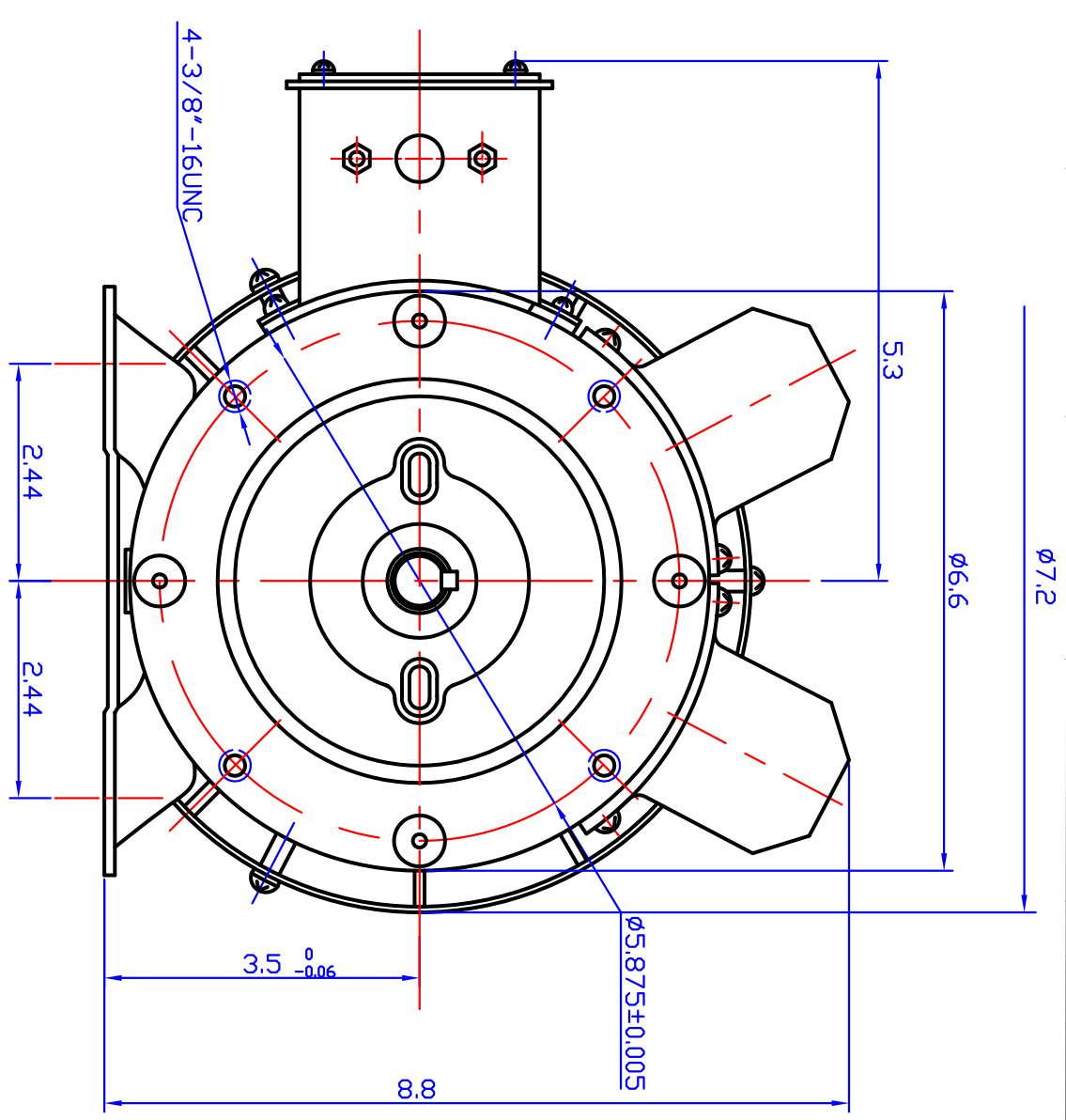
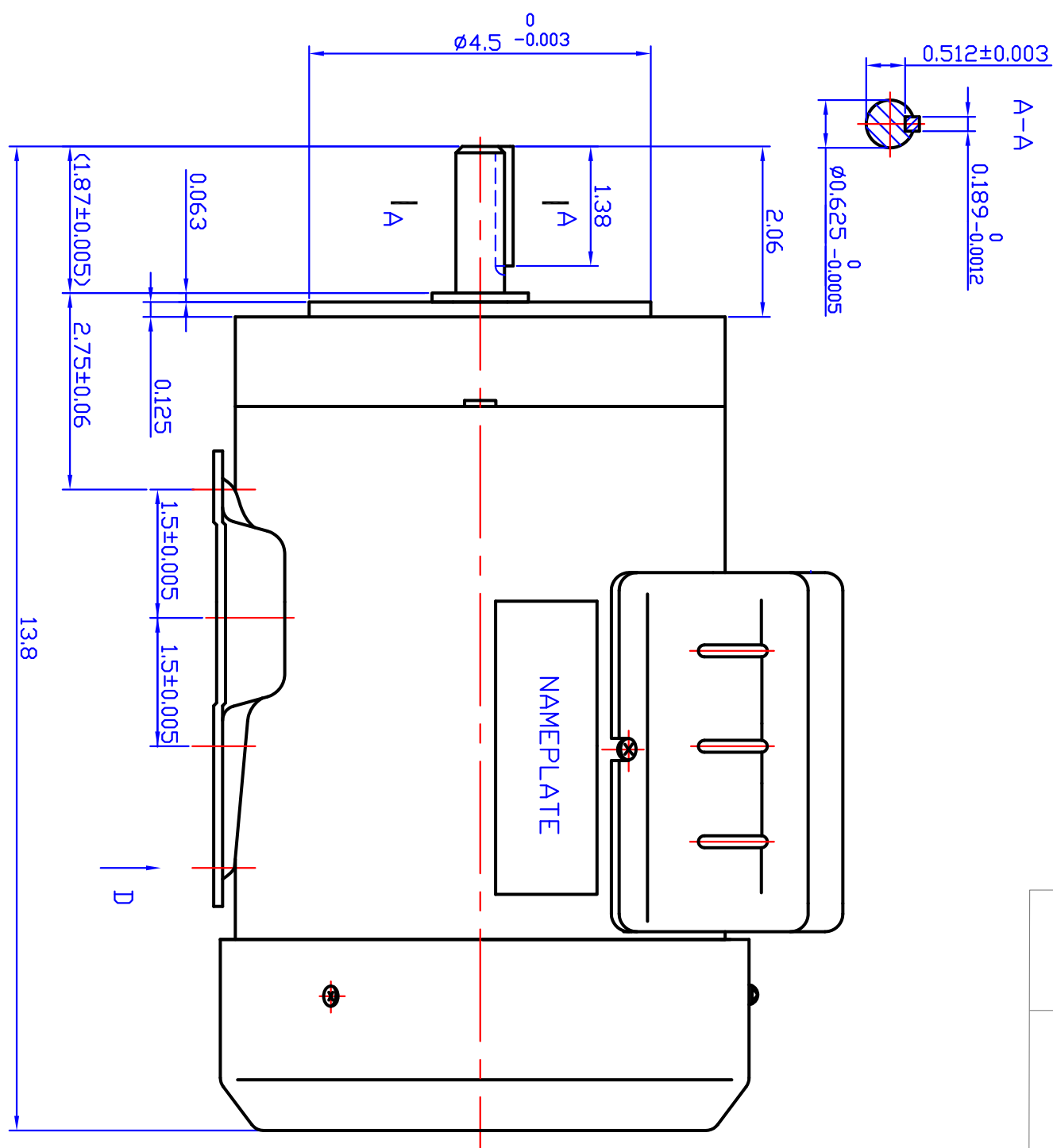
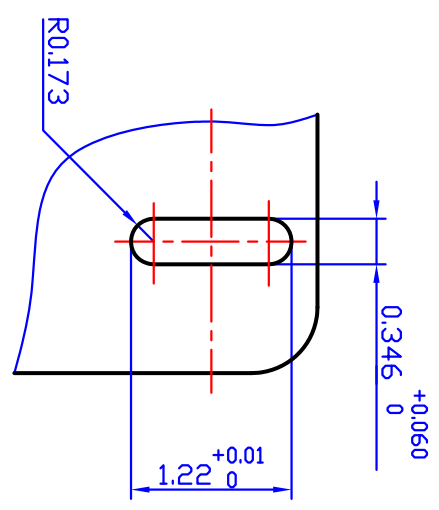


REV	ECO	REV BY	DATE	APPD	DATE



REF. NO.	IND#	FRAME	Pole	PH	HP	RPM	Hz	Volt	thermal protector
K204HF5FM00	K090Z	56C	4	1	2.0	1725	60	230	MAN

DIRECTION D



DR BY:		EDS DATE	
APPD:		VERSION	
FIRST ANGLE PROJECTION			

		AG-I MOTORTEC INC.,
DESCRIPTION		
K090Z OUTLINE		
SIZE	A3	DWG NO
SCALE	1:2	SHEET

CONFIDENTIAL PROPERTY OF GW ELECTRIC (SHANGHAI) CORPORATION AND ARE NOT TO BE DISCLOSED, DUPLICATED, OR OTHERWISE USED WITHOUT THE WRITTEN CONSENT OF GW ELECTRIC (SHANGHAI) CORPORATION, OR ITS AGENT, AG-I MOTORTEC INC.
- ALL RIGHTS RESERVED