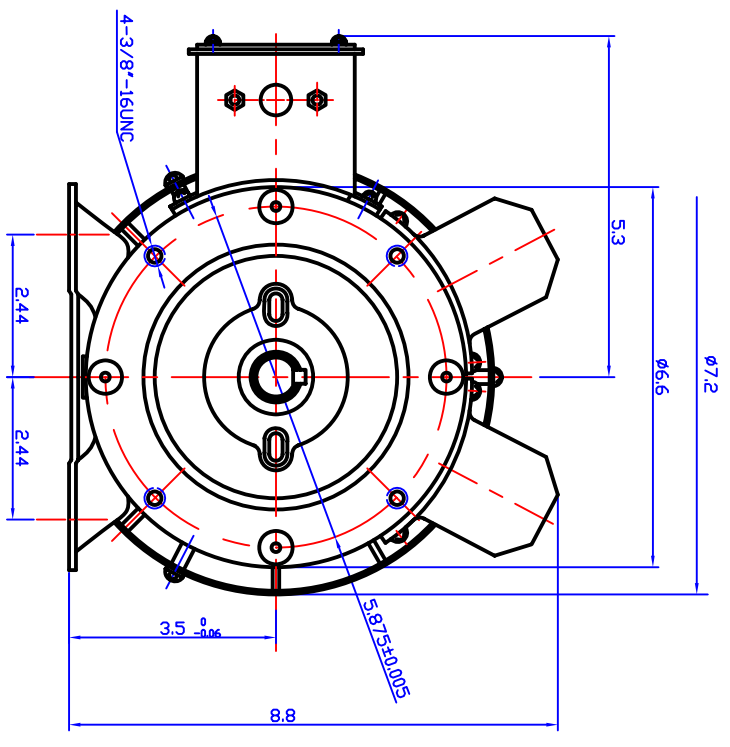
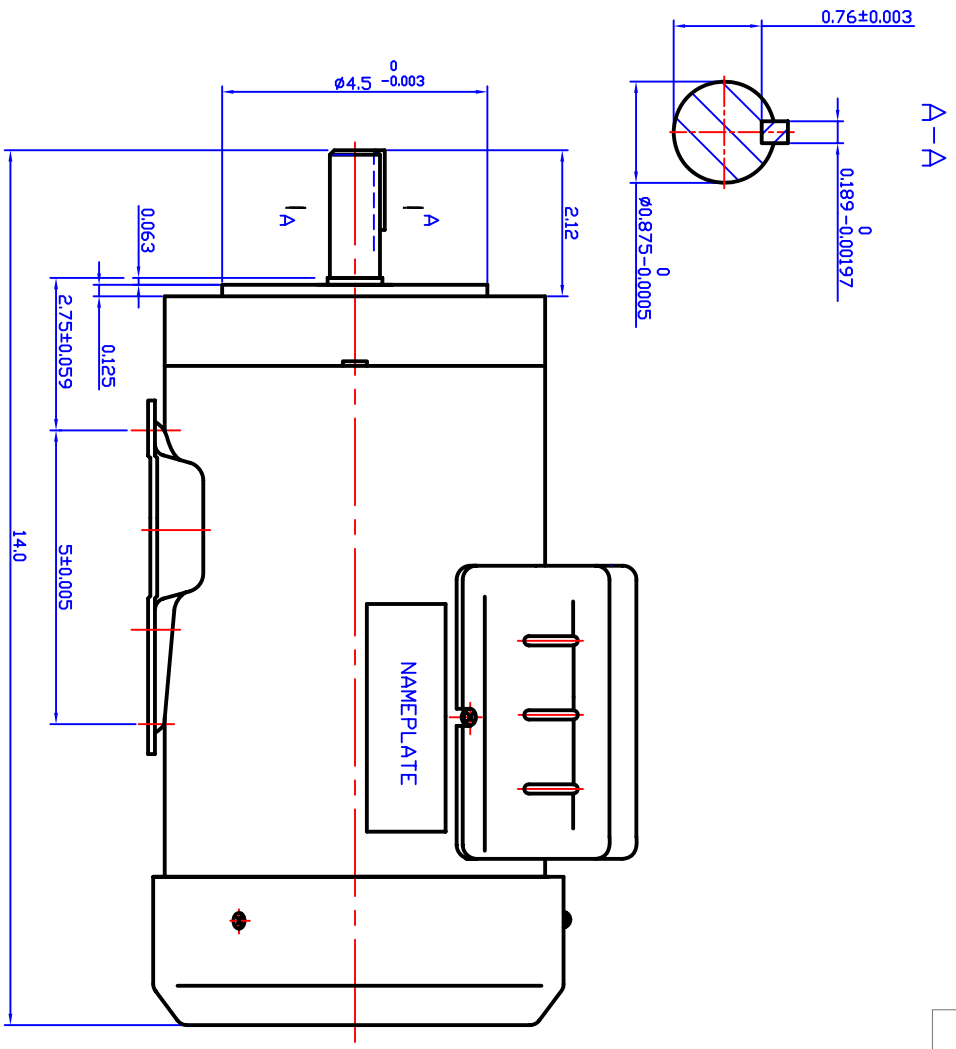



REV	ECO	REV BY	DATE	APPD	DATE



AGI REF#	FRAME	Pole	PH	HP	RPM	HZ	Volt	thermal protector
K090F	145TC	4	1	2.0	1725	60	230	CED3706

DR BY: _____


APPD: _____

FIRST ANGLE PROJECTION 

EDS DATE _____

VERSION _____

CONFIDENTIAL: THIS DRAWING AND ITS INFORMATION ARE THE EXCLUSIVE AND CONFIDENTIAL PROPERTY OF GM ELECTRIC (SHANGHAI) CORPORATION AND ARE NOT TO BE DISCLOSED, DUPLICATED, DISTRIBUTED OR OTHERWISE USED WITHOUT THE WRITTEN CONSENT OF GM ELECTRIC (SHANGHAI) CORPORATION.
-ALL RIGHTS RESERVED.

 **AG-I MOTORTEC INC.,**

DESCRIPTION: K090F OUTLINE

SIZE: A3 DWG NO: _____

SCALE: _____ SHEET: _____