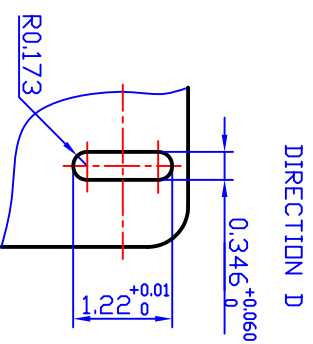
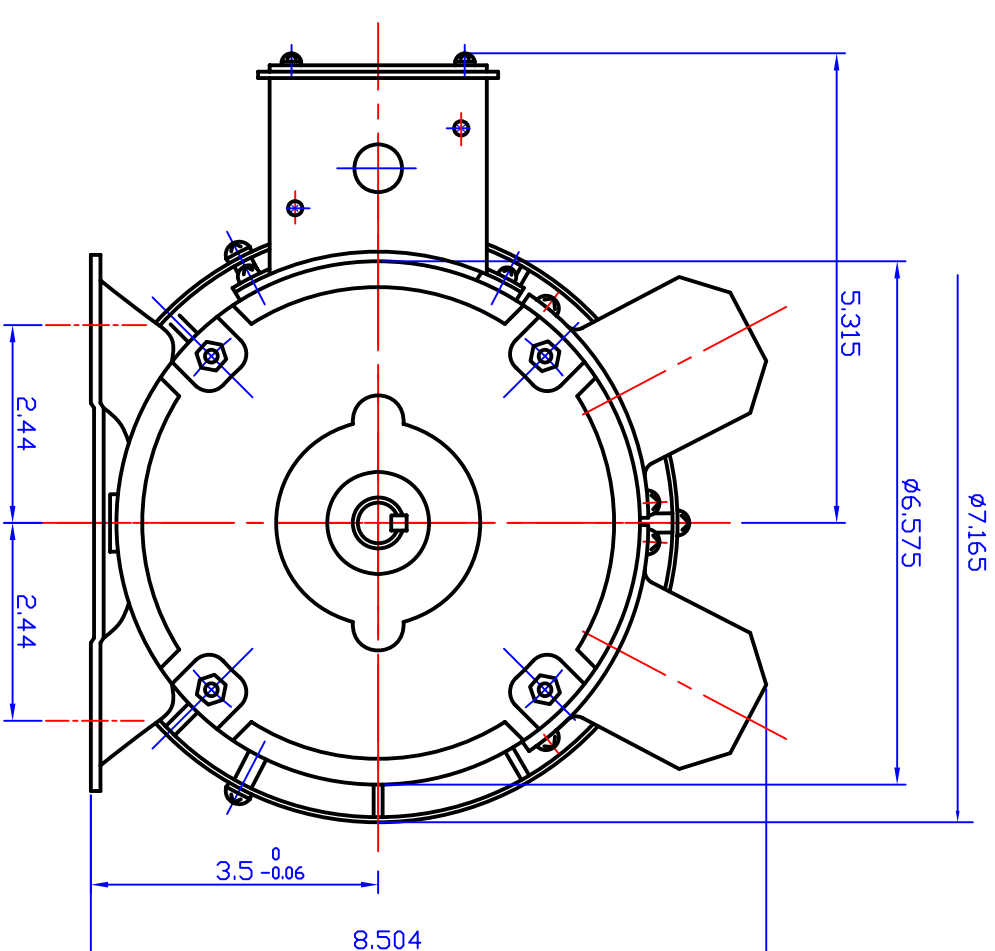
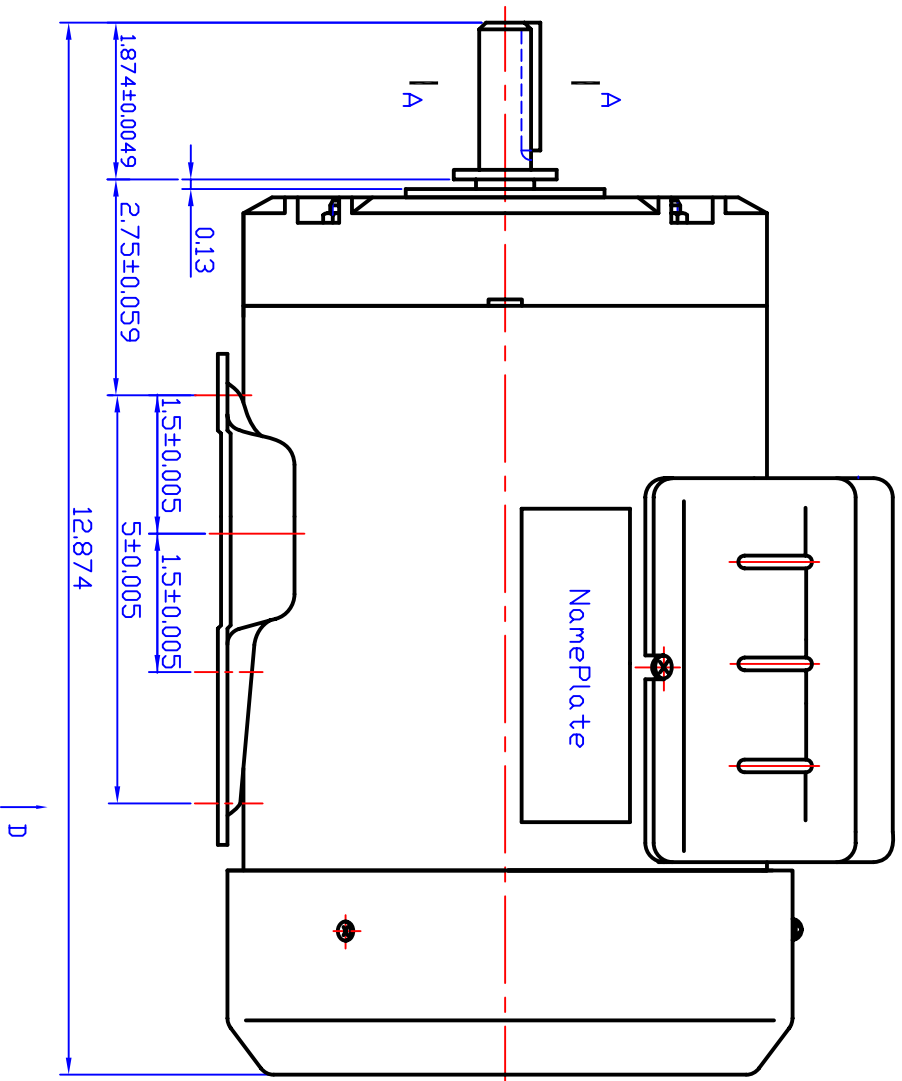
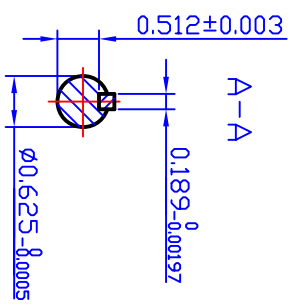


REV	ECO	REV BY	DATE	APPD	DATE



AGI REF#	FRAME	PH	HP	Pole	RPM	HZ	Volt	thermal protector
K089	56	1	1.5	4	1725	60	115/208-230	BRJ70DA

DR BY:		EDS DATE	
APPD:		VERSION	

DESCRIPTION		OUTLINE	
AGI		AG-1 MOTORTEC INC.,	

FIRST ANGLE PROJECTION

CONFIDENTIAL: THIS DRAWING AND ITS INFORMATION ARE THE EXCLUSIVE AND CONFIDENTIAL PROPERTY OF GM ELECTRIC (SHANGHAI) CORPORATION AND ARE NOT TO BE DISCLOSED, DUPLICATED, DISTRIBUTED OR OTHERWISE USED WITHOUT THE WRITTEN CONSENT OF GM ELECTRIC (SHANGHAI) CORPORATION.

-ALL RIGHTS RESERVED.

SIZE A3

SCALE

SHEET