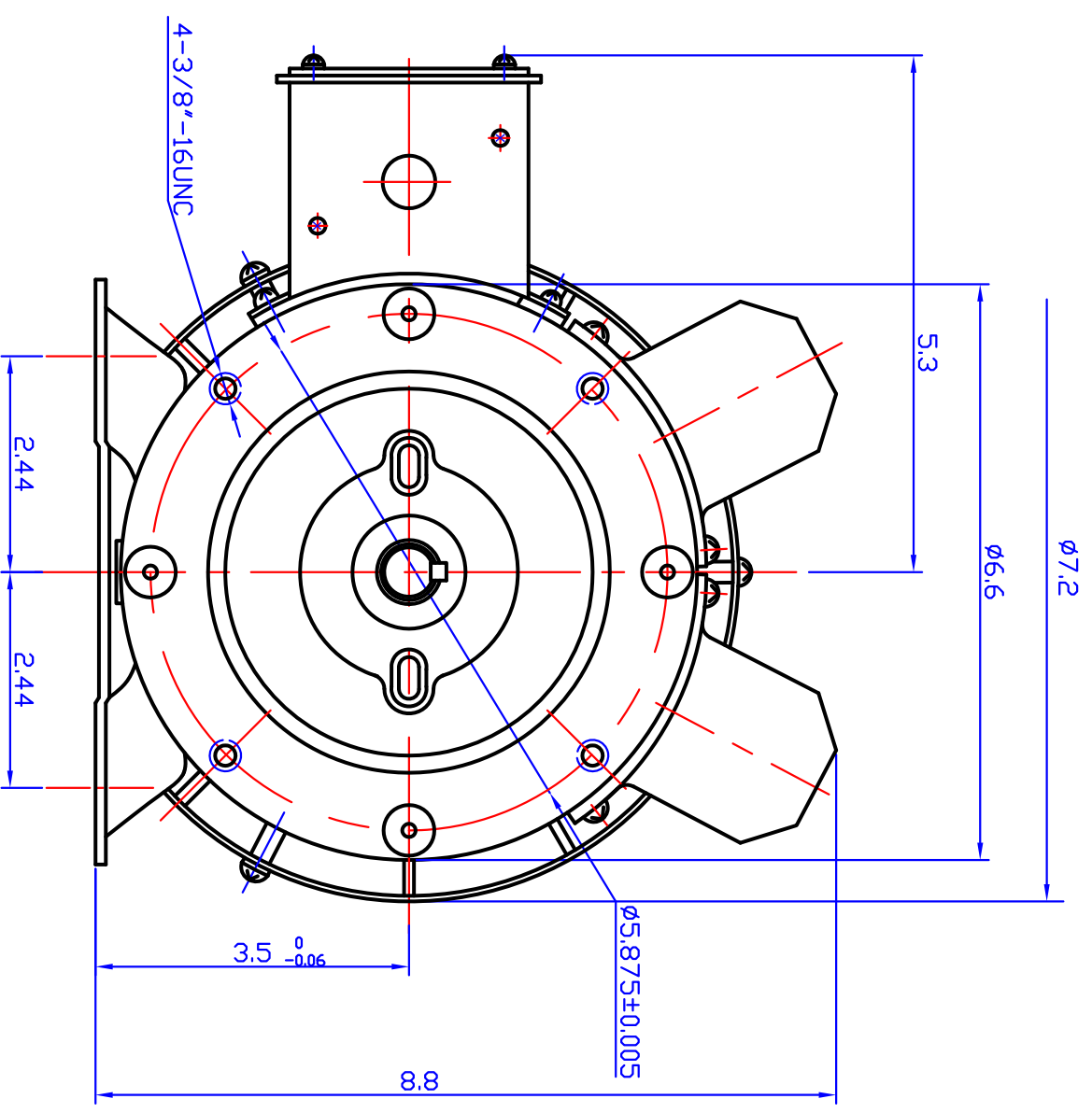
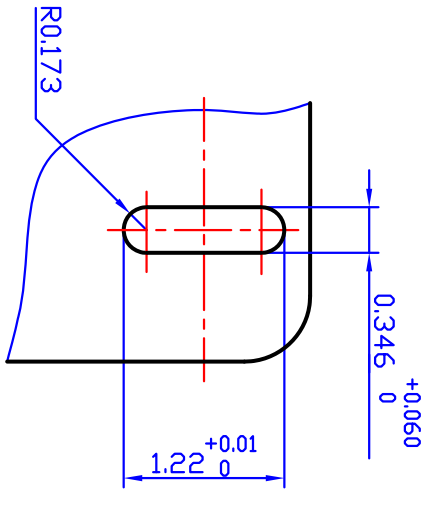
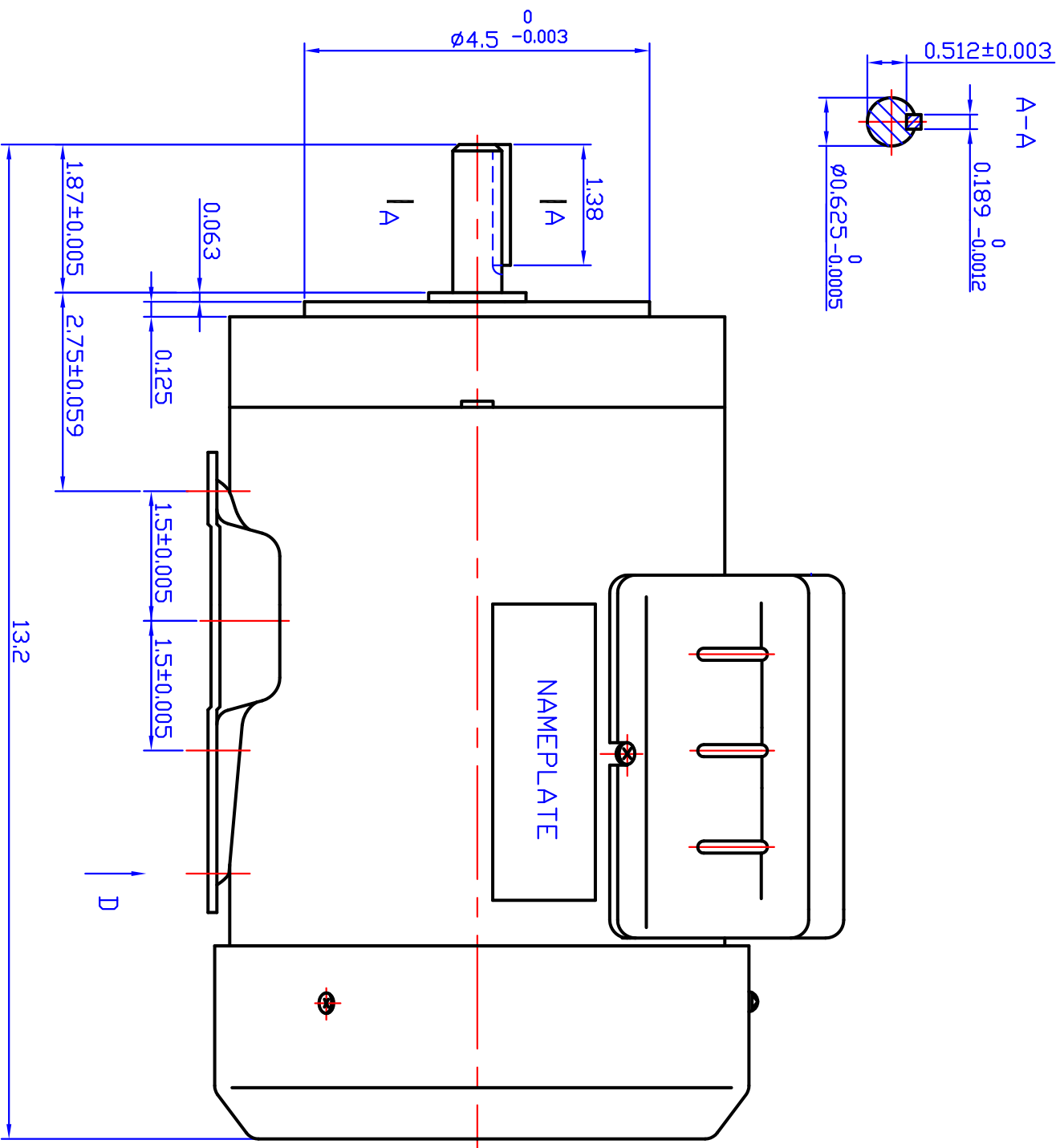


REV	ECO	REV BY	DATE	APPD	DATE



REF. NO.	IND#	FRAME	PH	HP	Pole	RPM	Hz	Volt	thermal protector
K154DF5FM00	K089C	56C	1	1.5	4	1725	60	115/208-230	MAN

DIRECTION D

DR BY:		EDS DATE	
APPD:		VERSION	

**AG-I** MOTORTEC INC.,

DESCRIPTION: K089C OUTLINE

SIZE: A3 DWG NO:  

SCALE: 1:2 SHEET:  

FIRST ANGLE PROJECTION

CONFIDENTIAL PROPERTY OF GW ELECTRIC (SHANGHAI) CORPORATION AND ARE NOT TO BE DISCLOSED, DUPLICATED, OR OTHERWISE USED WITHOUT THE WRITTEN CONSENT OF GW ELECTRIC (SHANGHAI) CORPORATION, OR ITS AGENT, AG-I MOTORTEC INC. - ALL RIGHTS RESERVED