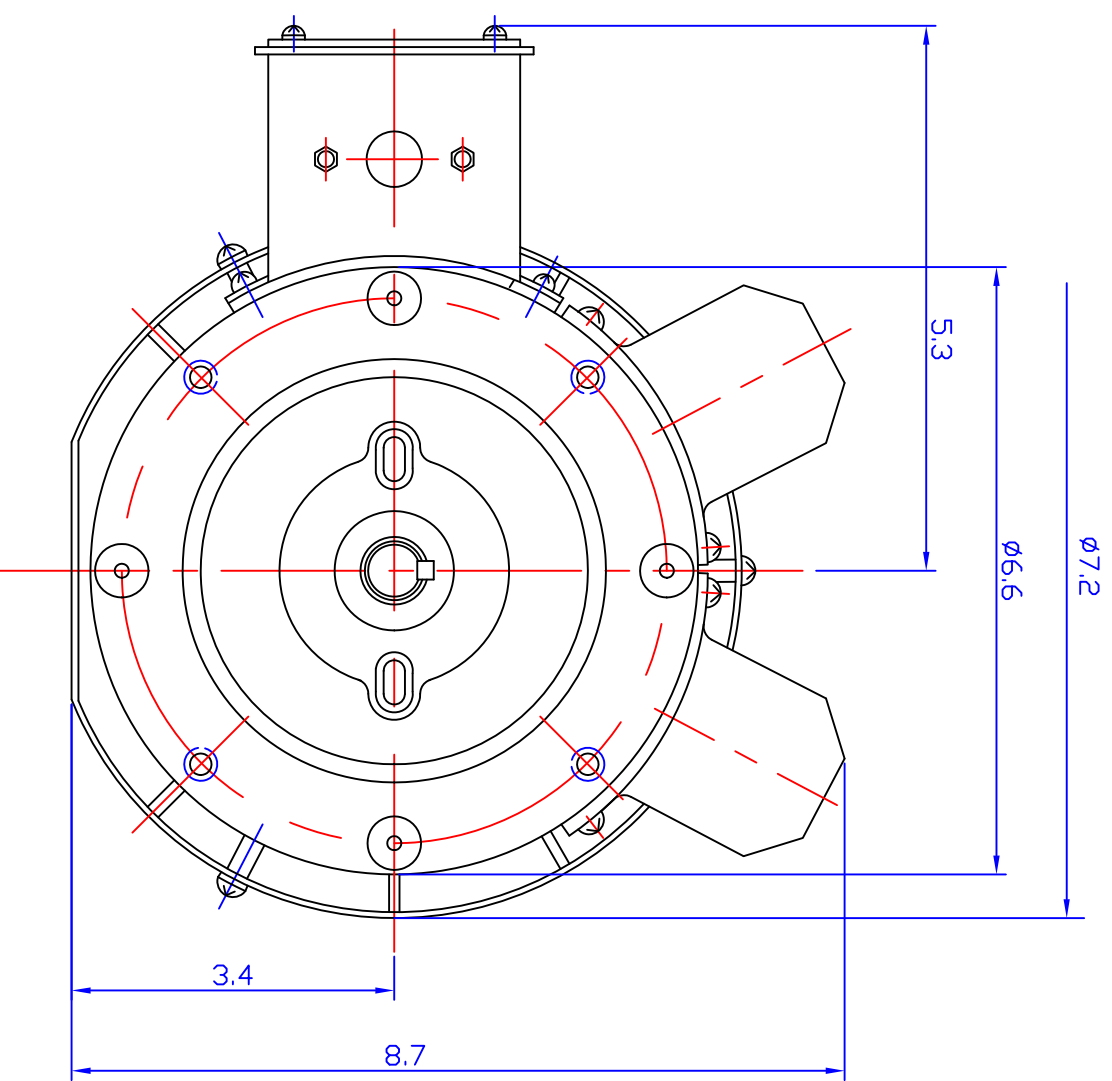
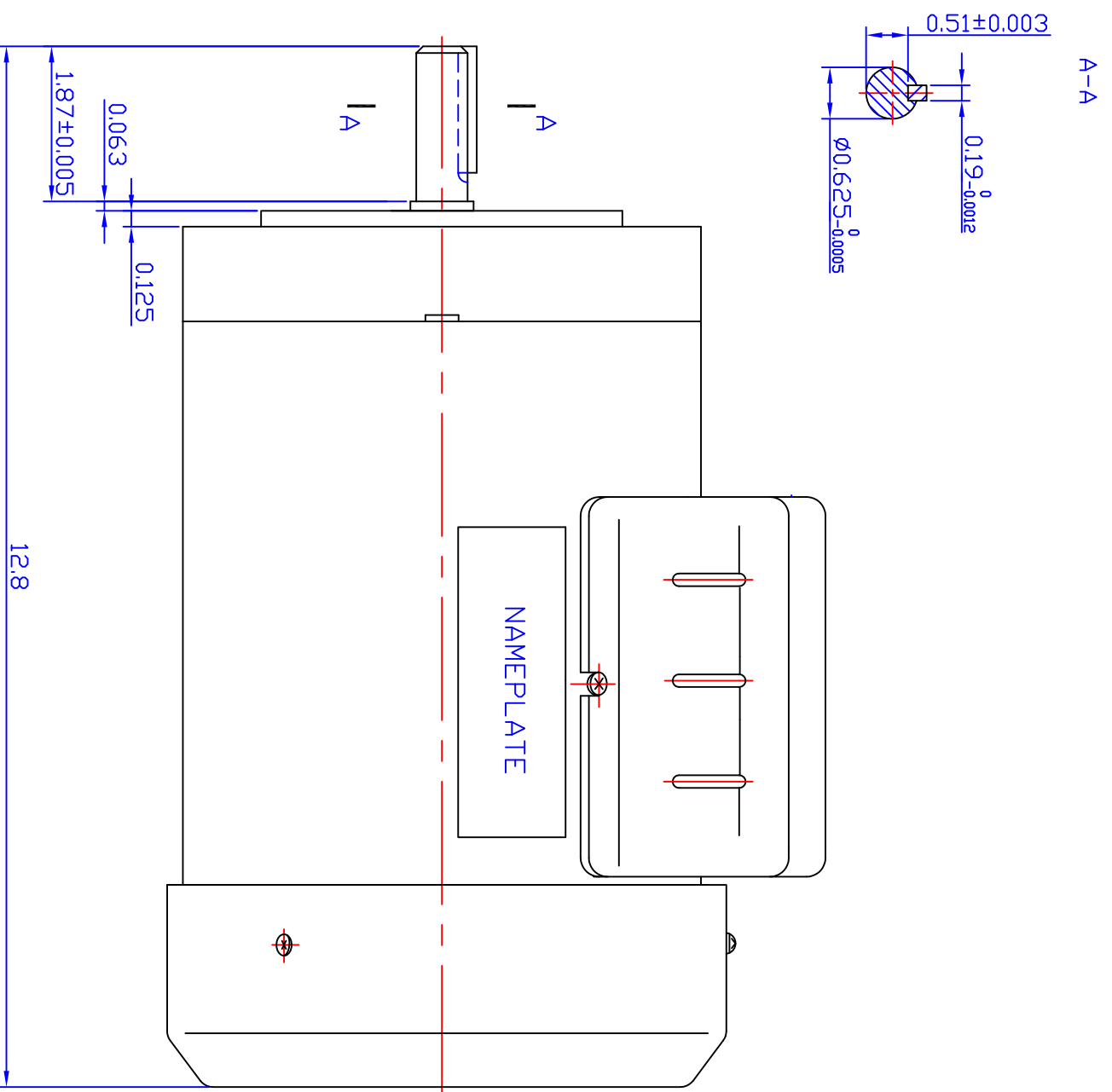


REV	ECO	REV BY	DATE	APPD	DATE



AG-I MODEL No.	FRAME	HP	VOLTS	HZ	RPM	PH	S.F.	INSL.	Thermally Protector	endclose	DUTY
K104DFSFM00	S6C	1.0	115/208-230	60	1725	1	1.15	F	CEDE2797	TEFC	CONT.

DR BY: \_\_\_\_\_

APPD: \_\_\_\_\_

FIRST ANGLE PROJECTION  EDS DATE \_\_\_\_\_  
 VERSION \_\_\_\_\_

DESCRIPTION:  **AG-I MOTORTEC INC.,**  
 K088C K104DFSFM00

CONFIDENTIAL PROPERTY OF GW ELECTRIC (SHANGHAI) CORPORATION AND ARE NOT TO BE DISCLOSED, DUPLICATED, OR OTHERWISE USED WITHOUT THE WRITTEN CONSENT OF GW ELECTRIC (SHANGHAI) CORPORATION, OR ITS AGENT, AG-I MOTORTEC INC.  
 - ALL RIGHTS RESERVED

SIZE: **A3** DWG NO: \_\_\_\_\_

SCALE: 1:2 SHEET \_\_\_\_\_