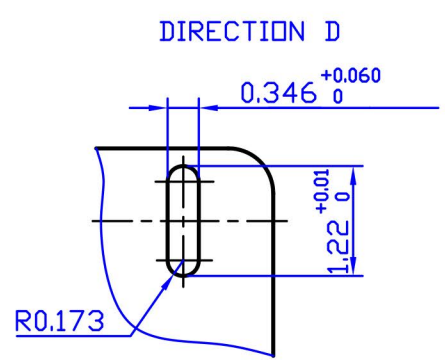
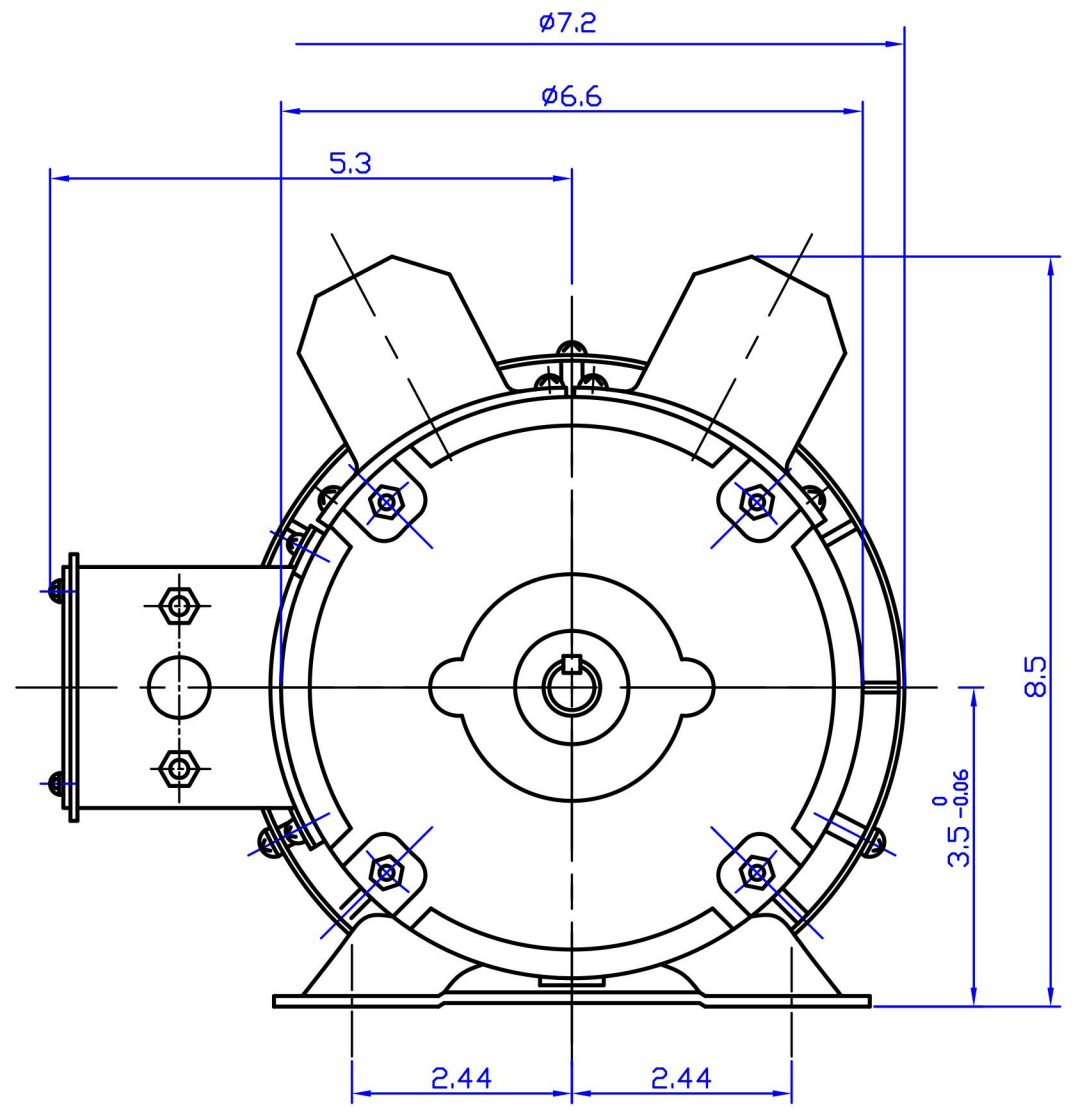
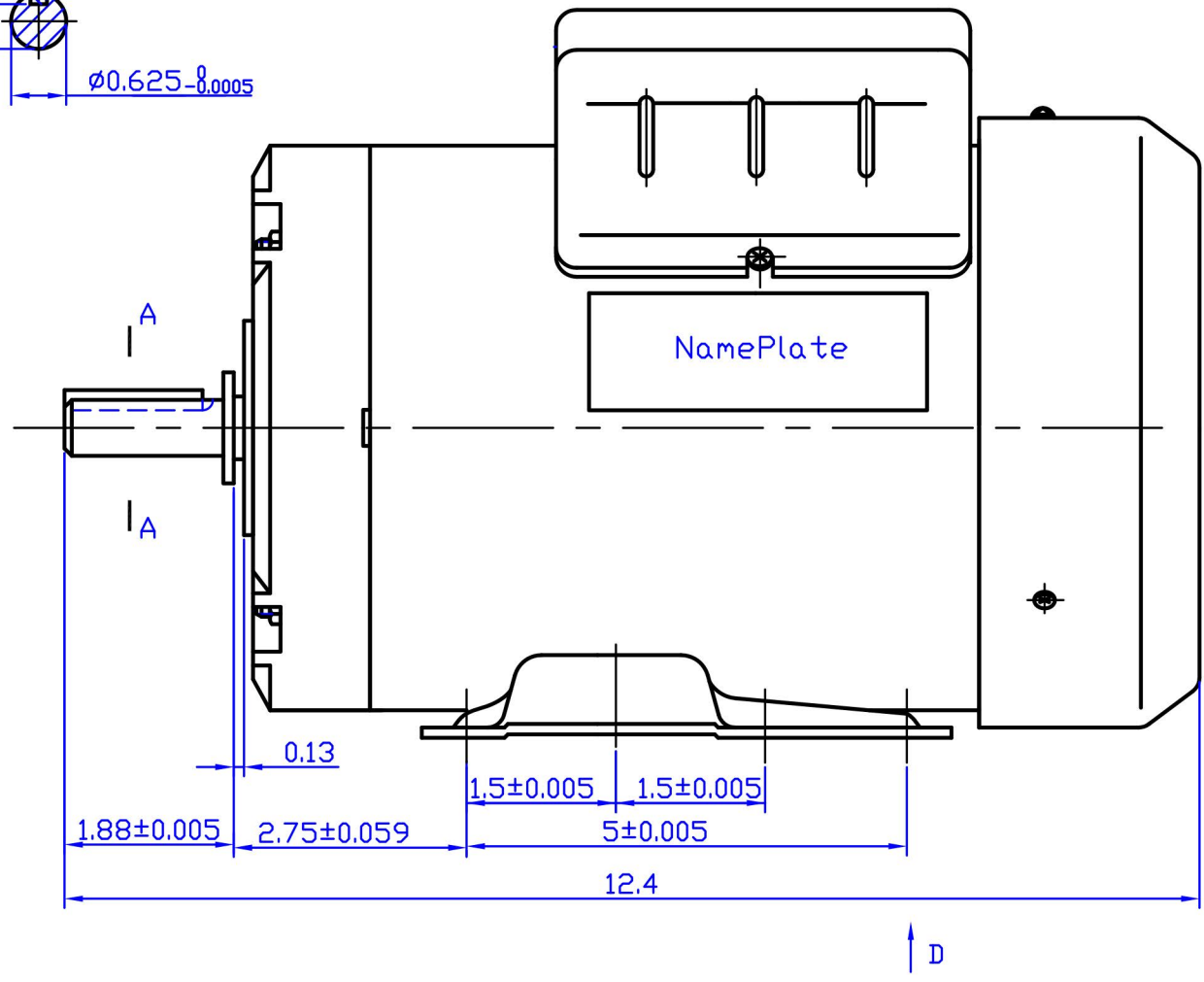
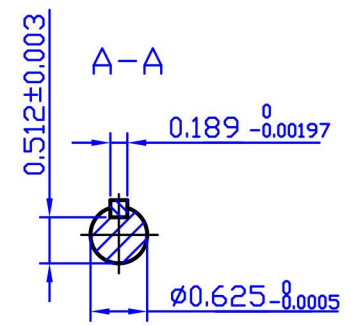


REV	ECO	REV BY	DATE	APPD	DATE



REF.NO.	FRAME	PH	HP	Pole	RPM	Hz	Volt	thermal protector
K754DF5BMP5	56	1	3/4	4	1725	60	115/208-230	MAN.

DR BY: \_\_\_\_\_

APPD: \_\_\_\_\_

FIRST ANGLE PROJECTION EDS DATE \_\_\_\_\_  
VERSION \_\_\_\_\_

CONFIDENTIAL: THIS DRAWING AND ITS INFORMATION ARE THE EXCLUSIVE AND CONFIDENTIAL PROPERTY OF GW ELECTRIC (SHANGHAI) CORPORATION AND ARE NOT TO BE DISCLOSED, DUPLICATED, DISTRIBUTED OR OTHERWISE USED WITHOUT THE WRITTEN CONSENT OF GW ELECTRIC (SHANGHAI) CORPORATION.  
-ALL RIGHTS RESERVED.



DESCRIPTION  
K754DF5BMP5 OUTLINE.

SIZE A3 DWG NO \_\_\_\_\_

SCALE \_\_\_\_\_ SHEET \_\_\_\_\_