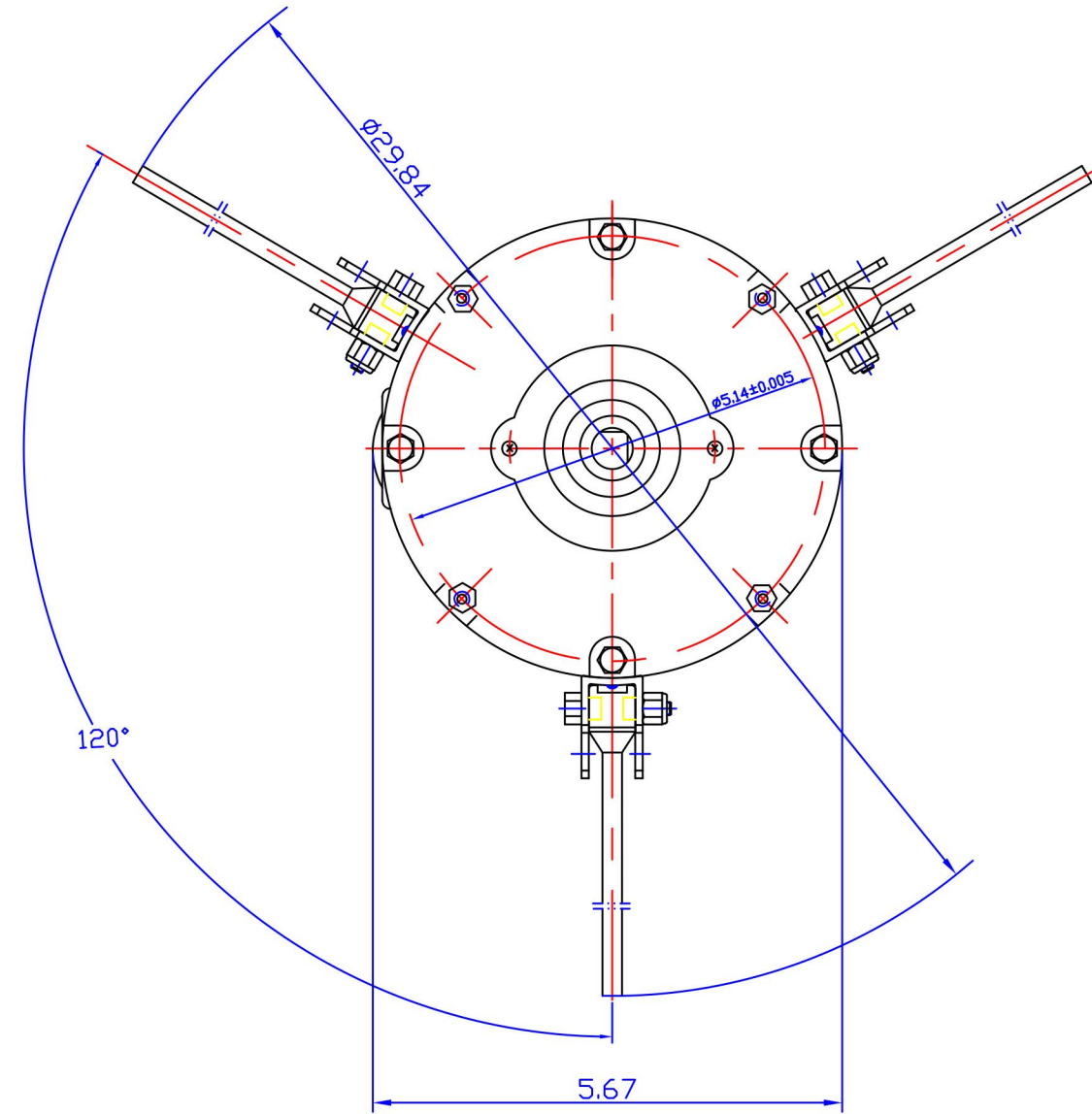
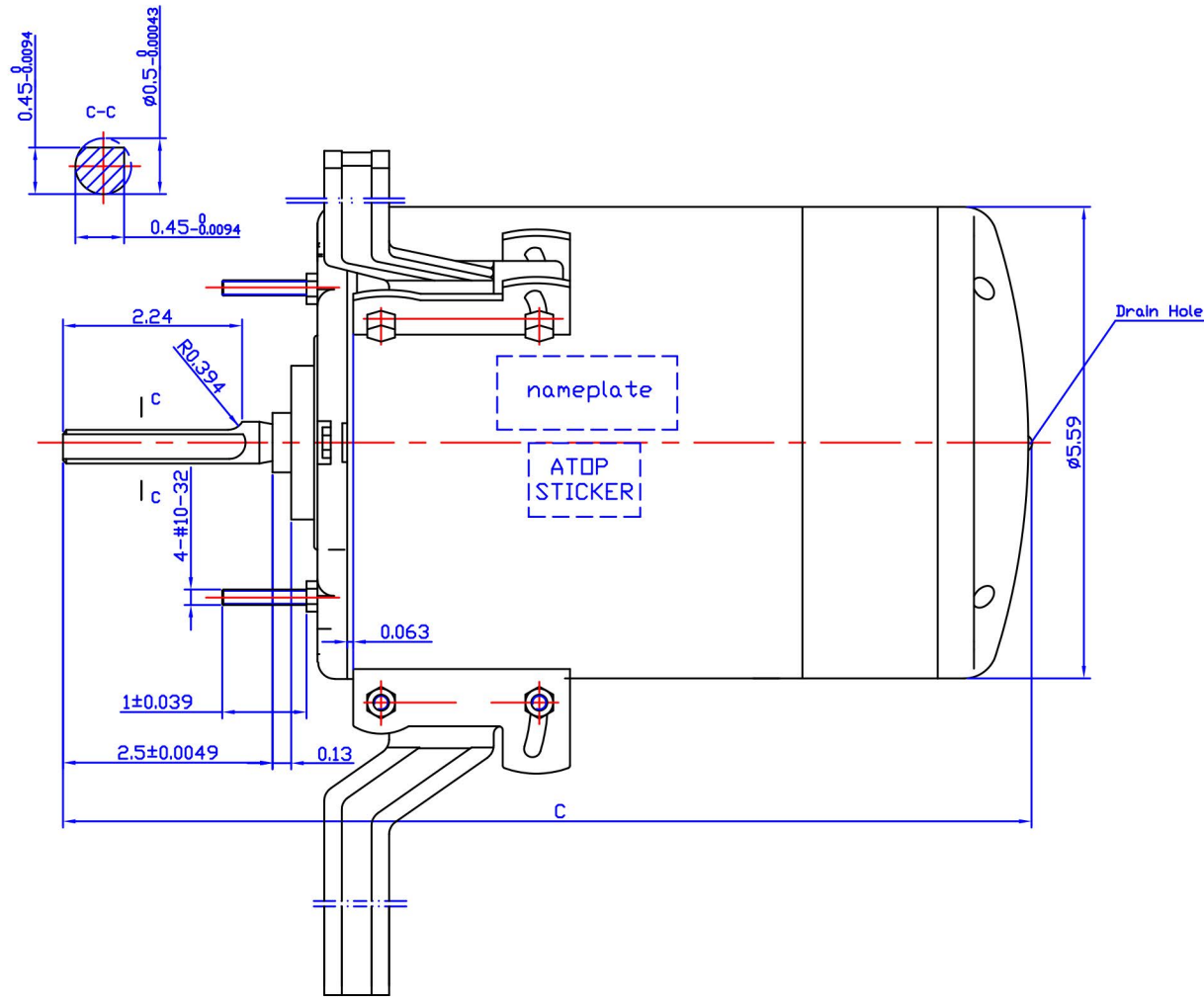
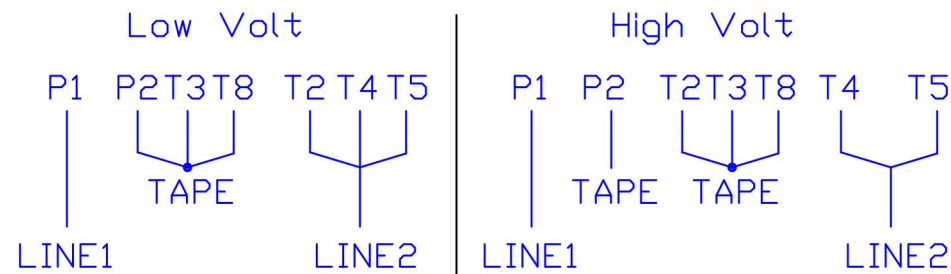


REV	ECO	REV BY	DATE	APPD	DATE



IND#	FRAME	PH	HP	Hz	Pole	Volt	RPM	thermal protector
H909	48	1	1/4	60	4	115/230	1625	MEG69RX
H910	48	1	1/3	60	4	115/230	1625	MEG69RX
H911	48	1	1/2	60	4	115/230	1625	CEG73GV

wiring diagram



DR BY:	
APPD:	
FIRST ANGLE PROJECTION	EDS DATE VERSION

CONFIDENTIAL PROPERTY OF GW ELECTRIC (SHANGHAI) CORPORATION AND ARE NOT TO BE DISCLOSED, DUPLICATED, OR OTHERWISE USED WITHOUT THE WRITTEN CONSENT OF GW ELECTRIC (SHANGHAI) CORPORATION, OR ITS AGENT, AG-1 MOTORTEC INC. - ALL RIGHTS RESERVED



AG-1 MOTORTEC INC.,

DESCRIPTION
H909,H910,H911 OUTLINE DRAWING

SIZE A3 DWG NO

SCALE SHEET