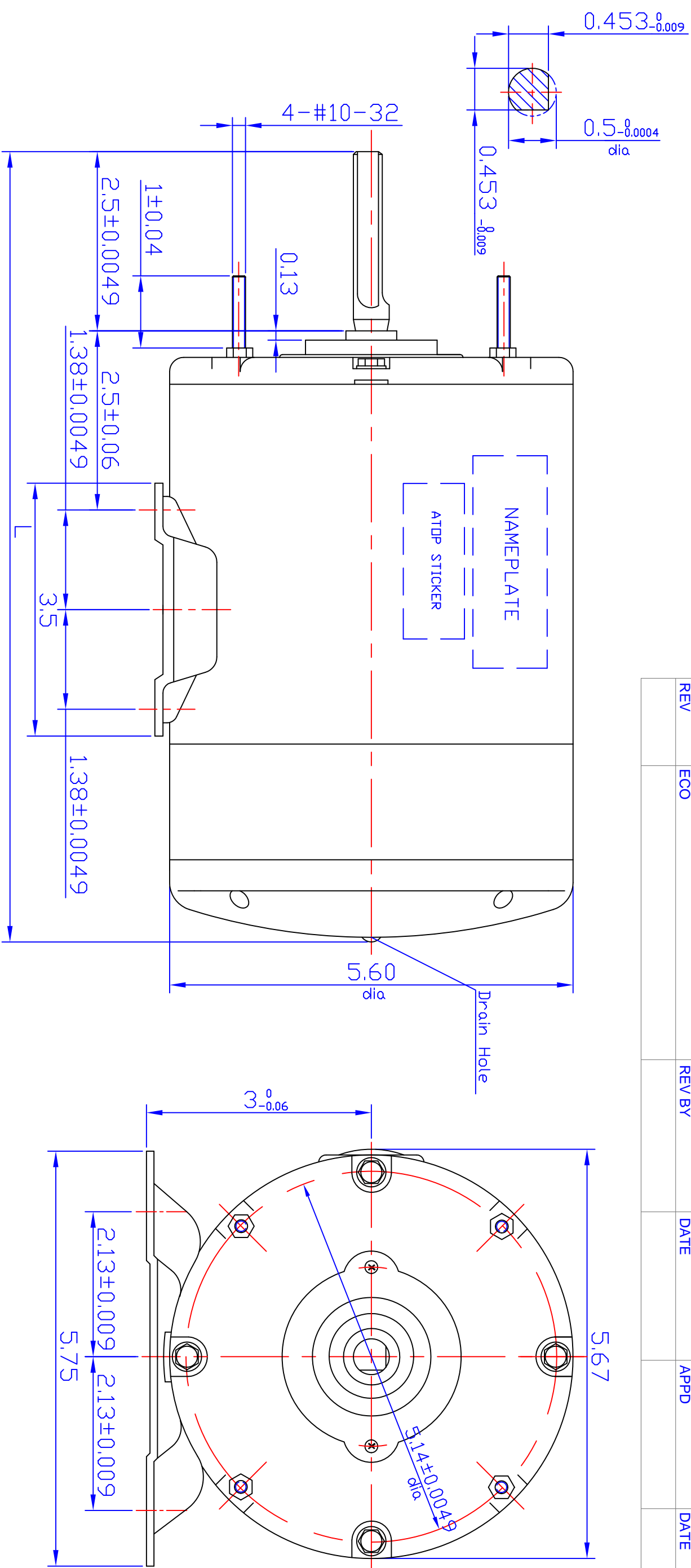


REV	ECO	REV BY	DATE	APPD	DATE



IND#	FRAME PH	HP	HZ	RPM	VOLTS	Pole	Thermally Protected	L
H899	48	1	1/4	60	1625	4	MEG69RX	11.3
H900	48	1	1/3	60	1625	4	MEG69RX	11.3
H901	48	1	1/2	60	1625	4	CEG73GV	11.7

DR BY:

APPD:

FIRST ANGLE PROJECTION



EDS DATE
VERSION



AG-1 MOTORTEC INC.,

DESCRIPTION

Outline drawing

SIZE

A3

DWG NO

SCALE

1:1.5

SHEET

CONFIDENTIAL PROPERTY OF GW ELECTRIC (SHANGHAI) CORPORATION AND ARE NOT TO BE DISCLOSED, DUPLICATED, OR OTHERWISE USED WITHOUT THE WRITTEN CONSENT OF GW ELECTRIC (SHANGHAI) CORPORATION, OR ITS AGENT, AG-1 MOTORTEC INC.
- ALL RIGHTS RESERVED