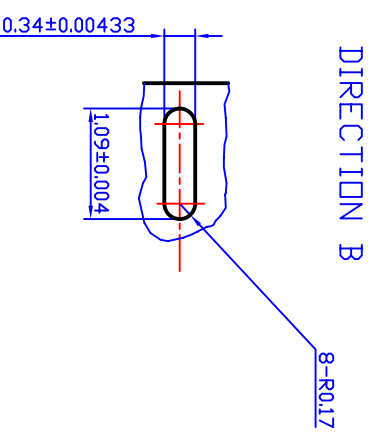
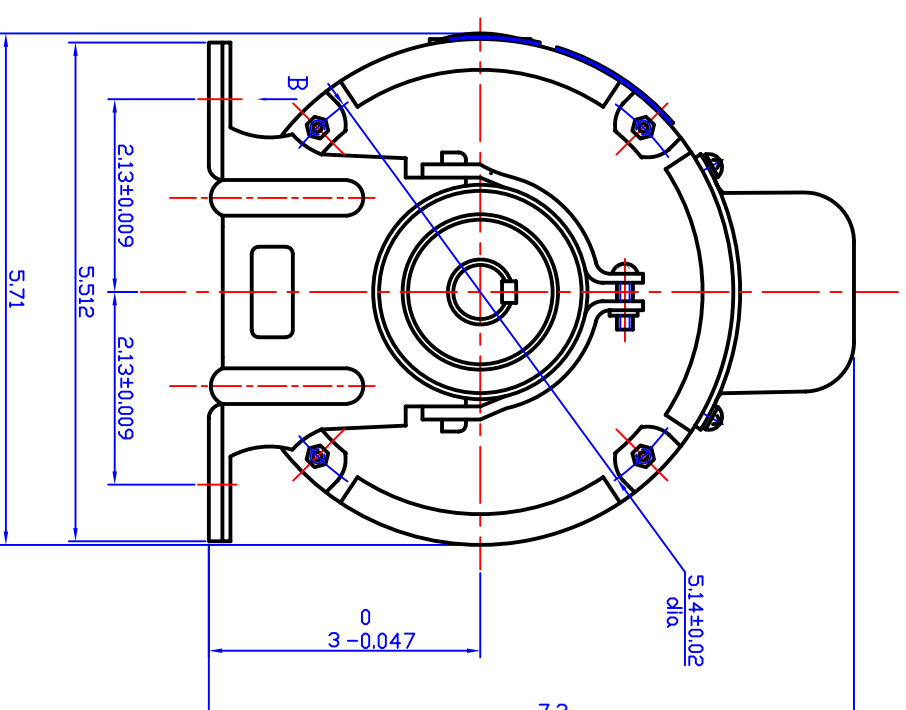
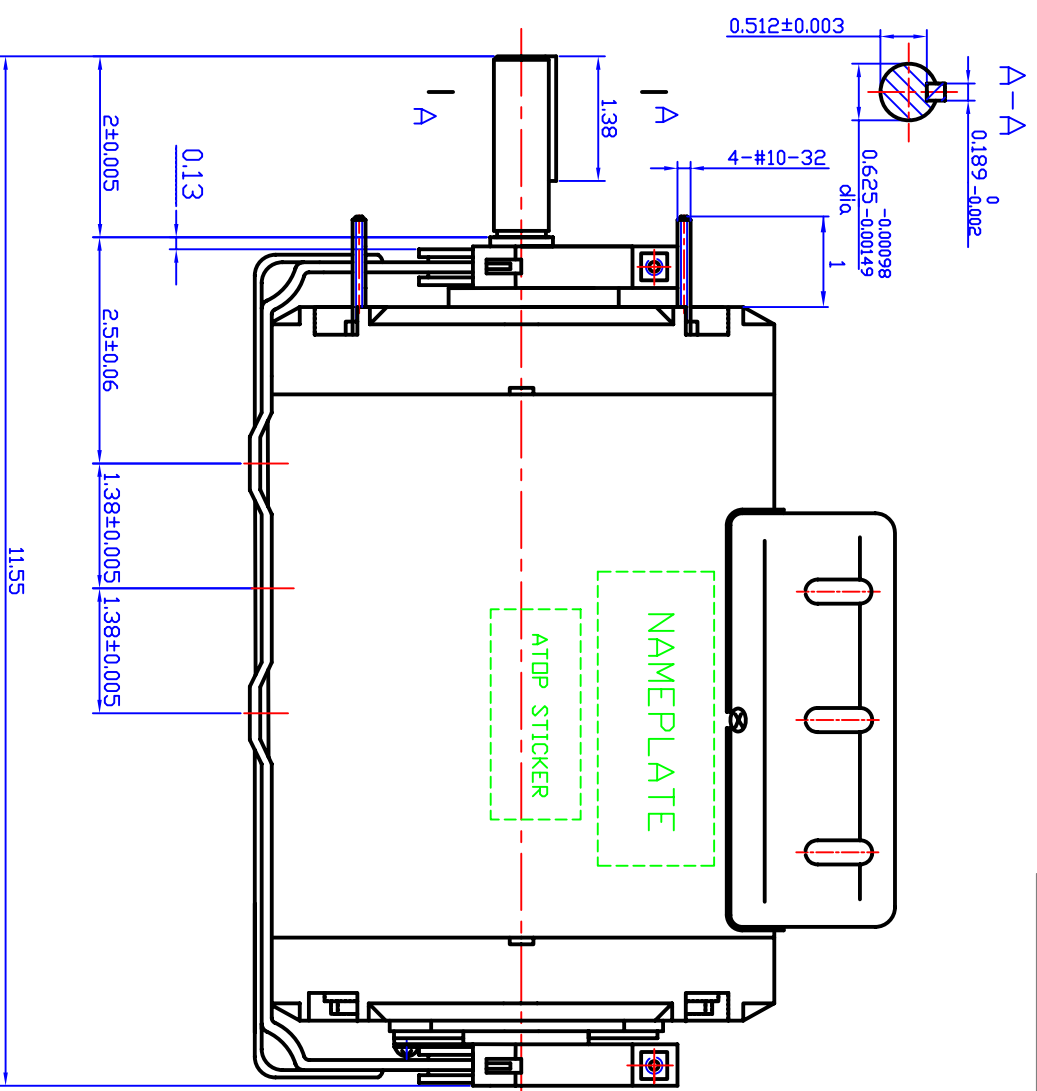


REV ECO

REV BY

DATE

DATE



AGI IND#	FRAME	HP	Volt	Hz	PH	Pole	Pole	Thermal
F836	48	1/2	115/230	60	1	8	850	MEJSSRX

DR BY:

APPD:

FIRST ANGLE PROJECTION



EDS DATE

VERSION

CONFIDENTIAL: THIS DRAWING AND ITS INFORMATION ARE THE EXCLUSIVE AND CONFIDENTIAL PROPERTY OF GM ELECTRIC (SHANGHAI) CORPORATION AND ARE NOT TO BE DISCLOSED, DUPLICATED, DISTRIBUTED OR OTHERWISE USED WITHOUT THE WRITTEN CONSENT OF GM ELECTRIC (SHANGHAI) CORPORATION.

-ALL RIGHTS RESERVED.

AGI

AG-1 MOTORTEC INC.,

DESCRIPTION

F836 OUTLINE

SIZE A3

DWG NO

SCALE

SHEET