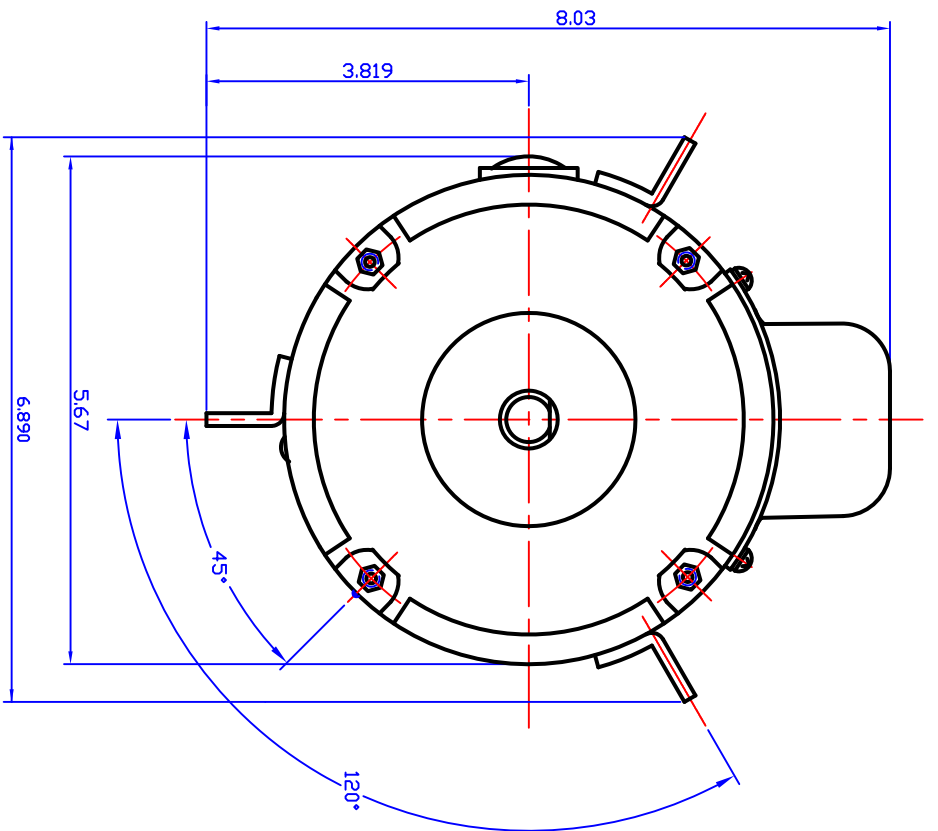
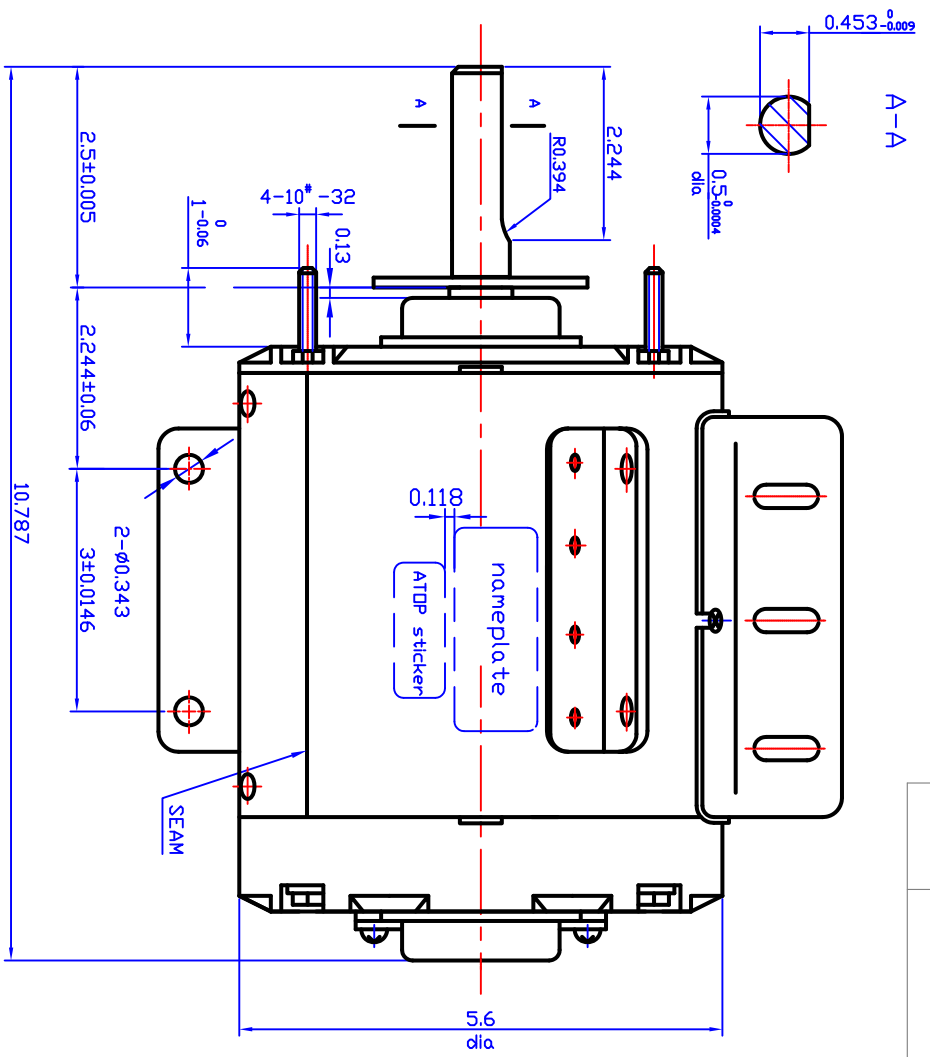



REV	ECO	REV BY	DATE	APPD	DATE
-----	-----	--------	------	------	------




IND#	FRAME	PH	HP	Hz	RPM	Pole	Volt	thermal protector
F804	48	1	1/2	60	1630	4	115/230	MEJ57RX

DR BY: \_\_\_\_\_

APPD: \_\_\_\_\_

FIRST ANGLE PROJECTION  EDS DATE \_\_\_\_\_

VERSION \_\_\_\_\_

 AG-I MOTORTEC INC. ,

DESCRIPTION: F804 OUTLINE

SIZE: A3 DWG NO: \_\_\_\_\_

SCALE: \_\_\_\_\_ SHEET: \_\_\_\_\_

CONFIDENTIAL PROPERTY OF GW ELECTRIC (SHANGHAI) CORPORATION AND ARE NOT TO BE DISCLOSED, DUPLICATED, OR OTHERWISE USED WITHOUT THE WRITTEN CONSENT OF GW ELECTRIC (SHANGHAI) CORPORATION, OR ITS AGENT AG-I MOTORTEC INC. - ALL RIGHTS RESERVED