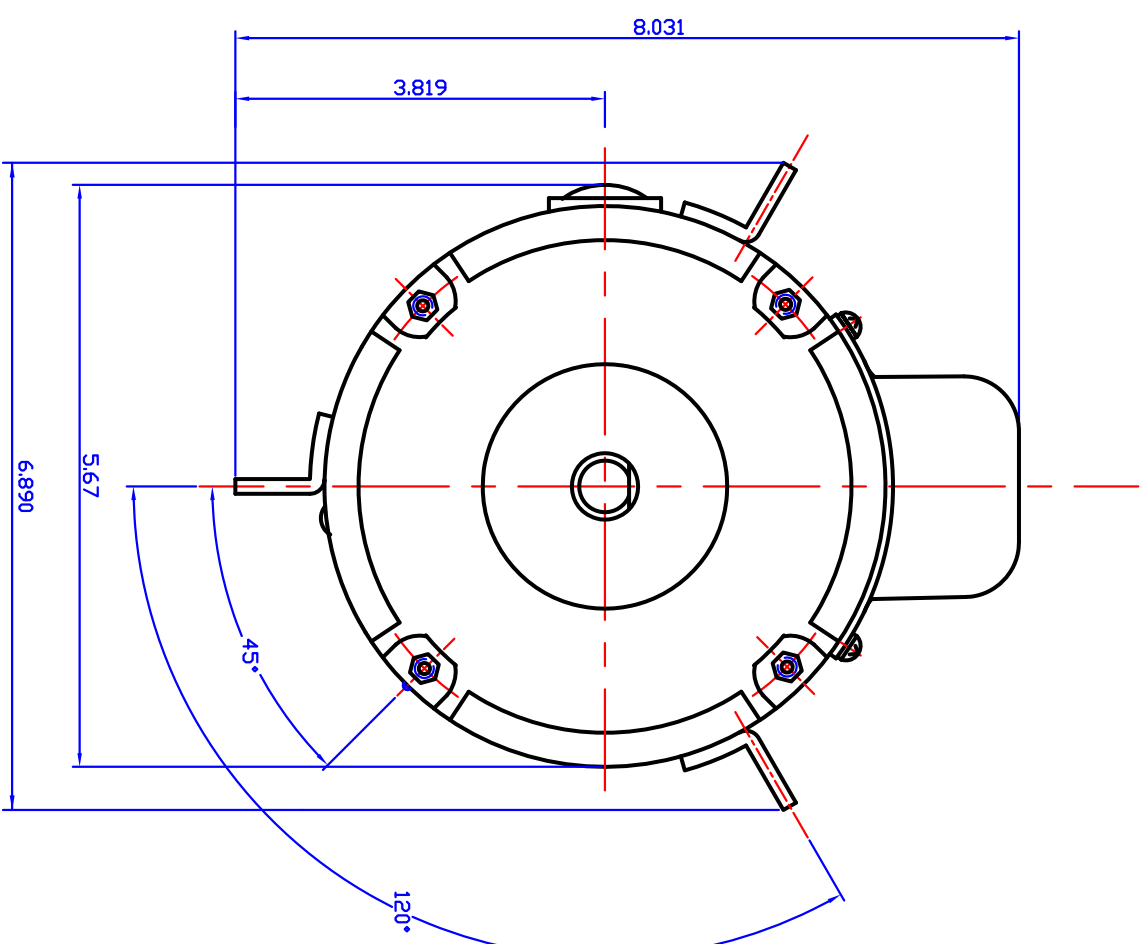
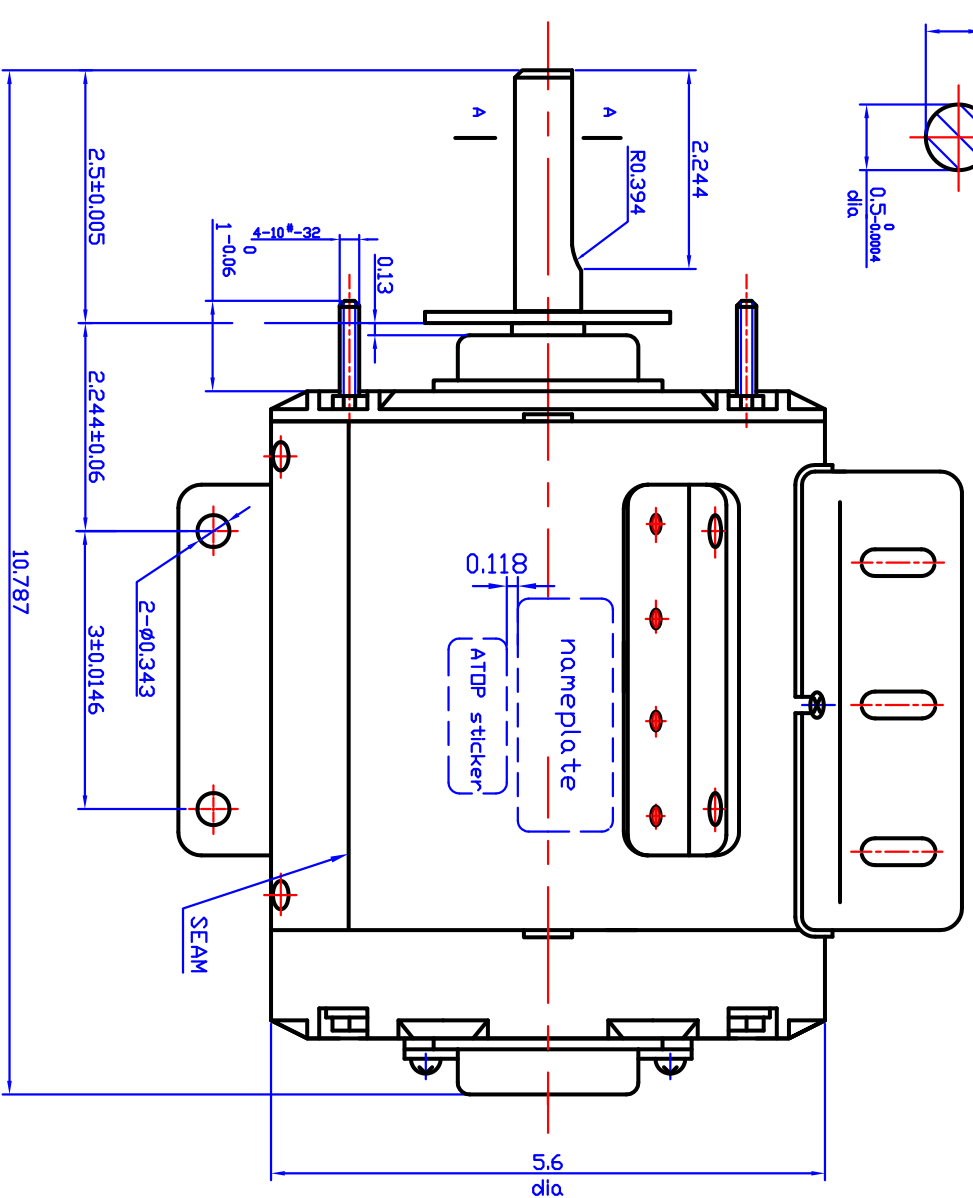
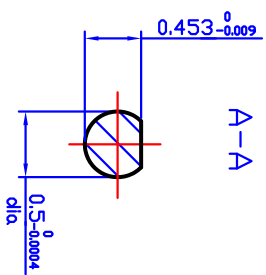
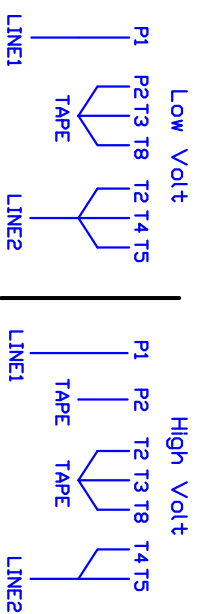


REV	ECO	REV BY	DATE	APPD	DATE
-----	-----	--------	------	------	------



wiring diagram



AGI IND#	FRAME	PH	HP	Hz	RPM	Pole	Volt	thermal protector
F 803	48	1	1/3	60	1630	4	115/230	MEG61RX



AG-1 MOTORTEC INC.,

DR BY:
APPD:
FIRST ANGLE PROJECTION

EDS DATE
VERSION
DESCRIPTION
F803 OUTLINE

CONFIDENTIAL: THIS DRAWING AND ITS INFORMATION ARE THE EXCLUSIVE AND CONFIDENTIAL PROPERTY OF GM ELECTRIC (SHANGHAI) CORPORATION AND ARE NOT TO BE DISCLOSED, DUPLICATED, DISTRIBUTED OR OTHERWISE USED WITHOUT THE WRITTEN CONSENT OF GM ELECTRIC (SHANGHAI) CORPORATION.
-ALL RIGHTS RESERVED.

SIZE
A3
SCALE
SHEET