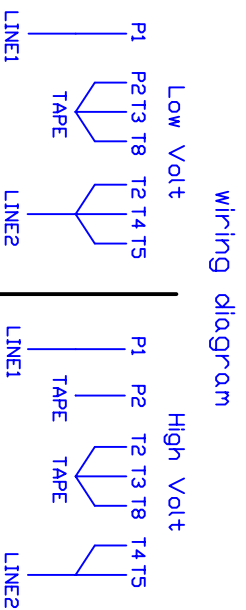
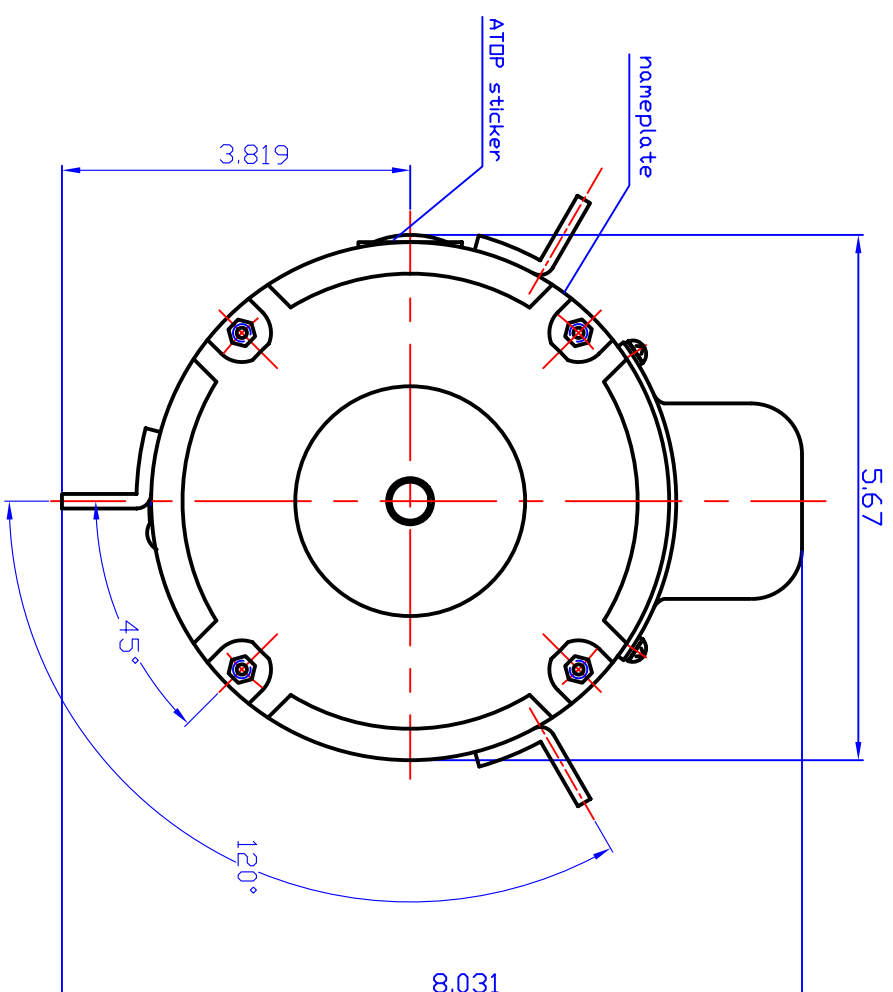
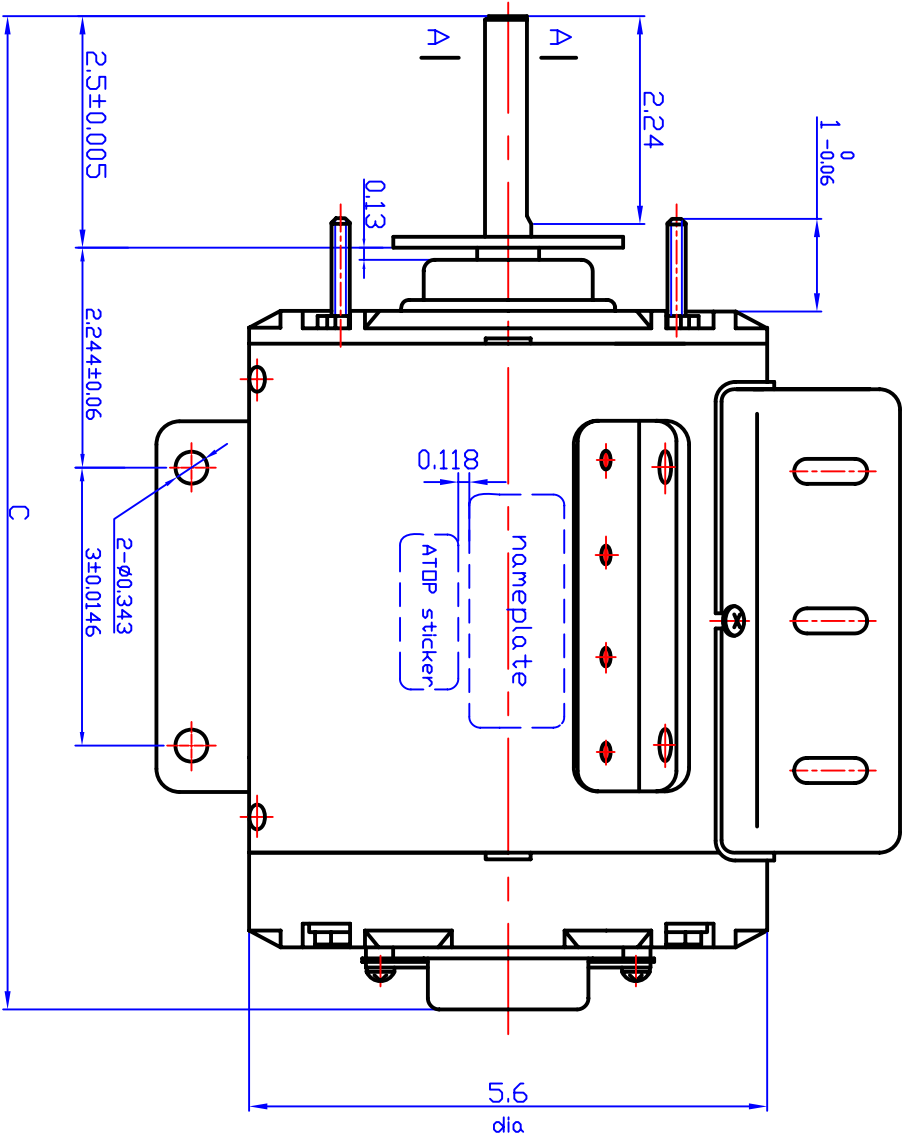
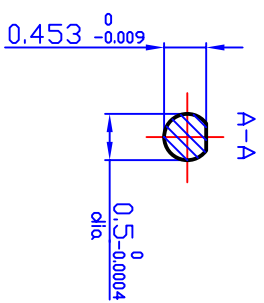


REV	ECO	REV BY	DATE	APPD	DATE
-----	-----	--------	------	------	------



NOTE: To reverse rotation, interchange T5&T8

AGI IND#	FRAME	Pole	PH	RPM	HP	Hz	Volt	thermal protector	C
F261T	48	6	1	1075	1/3	60	115/230	MEG65RX	11.34
F946T	48	6	1	1075	1/2	60	115/230	MEJ57RX	11.81

DR BY:

APPD:

FIRST ANGLE PROJECTION



EDS DATE

VERSION

AGI MOTORTEC INC.,

DESCRIPTION

OUTLINE

CONFIDENTIAL: THIS DRAWING AND ITS INFORMATION ARE THE EXCLUSIVE AND CONFIDENTIAL PROPERTY OF GM ELECTRIC (SHANGHAI) CORPORATION AND ARE NOT TO BE DISCLOSED, DUPLICATED, DISTRIBUTED OR OTHERWISE USED WITHOUT THE WRITTEN CONSENT OF GM ELECTRIC (SHANGHAI) CORPORATION.

SIZE A3

DWG NO

SCALE

-ALL RIGHTS RESERVED.

SHEET