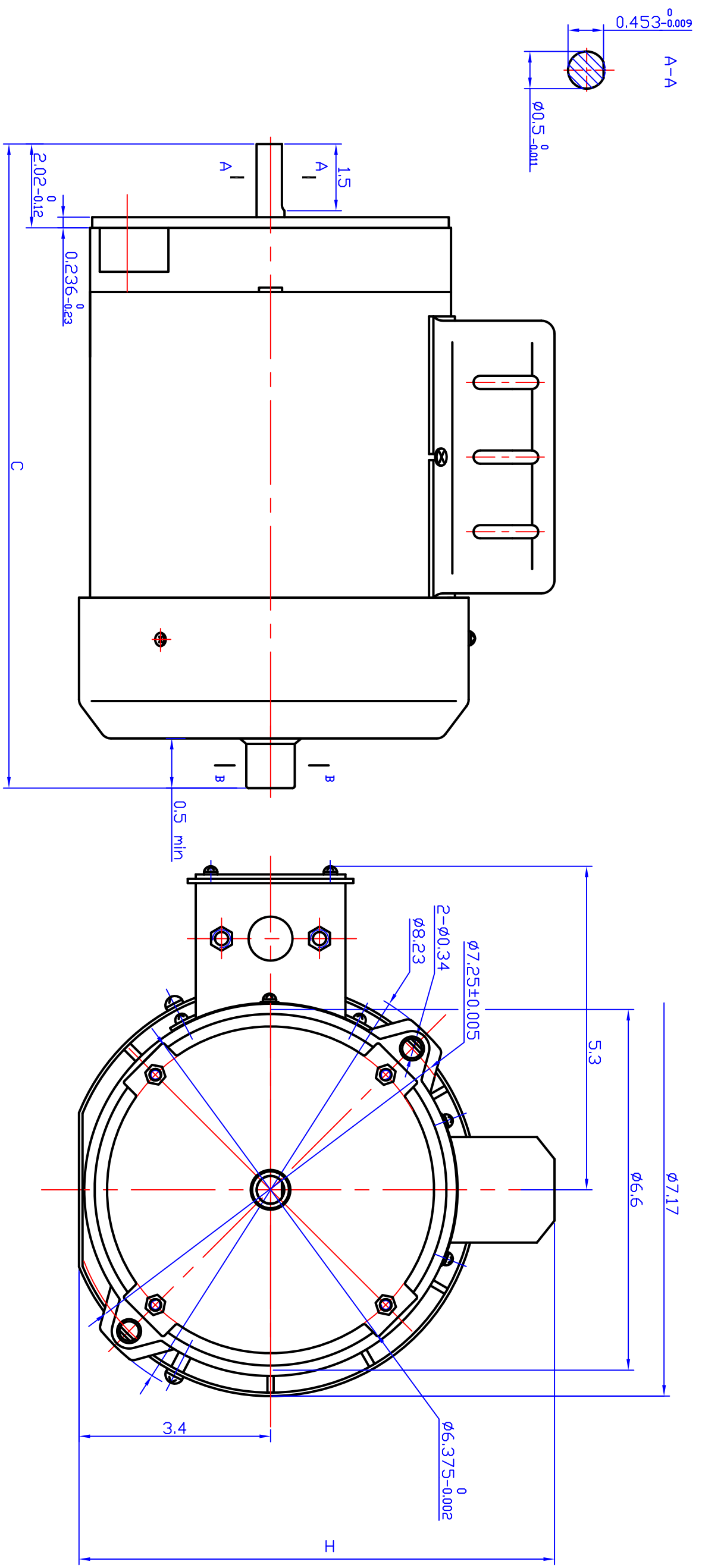
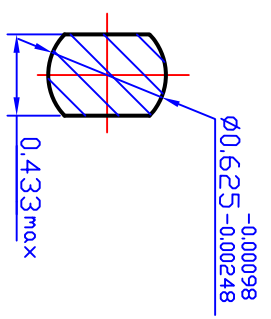


REV	ECO	REV BY	DATE	APPD	DATE
-----	-----	--------	------	------	------



AGI REF. NO.	VOLTS	FRAME	HZ	Pole	HP	RPM	PH	THERMALLY PROTECTED	C	H
C334DFSMAU	115/208-230	56NY	60	4	1/3	1745	1	MAN.	11.3	8.3
C054DFSMAU	115/208-230	56NY	60	4	1/2	1745	1	MAN.	11.9	8.7
C754DFSMAU	115/208-230	56NY	60	4	3/4	1745	1	MAN.	11.9	8.7



DR BY: Candy

APPD:

FIRST ANGLE PROJECTION

EDS DATE

VERSION

AGI-003 OUTLINE

AGI-1 MOTORTEC INC.,

CONFIDENTIAL PROPERTY OF GW ELECTRIC (SHANGHAI) CORPORATION AND ARE NOT TO BE DISCLOSED, DUPLICATED, OR OTHERWISE USED WITHOUT THE WRITTEN CONSENT OF GW ELECTRIC (SHANGHAI) CORPORATION, OR ITS AGENT, AG-1 MOTORTEC INC. - ALL RIGHTS RESERVED

SIZE A3 DWG NO

SCALE 1:2 SHEET