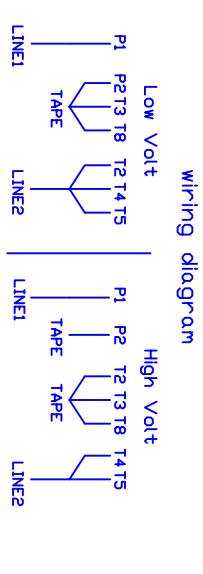
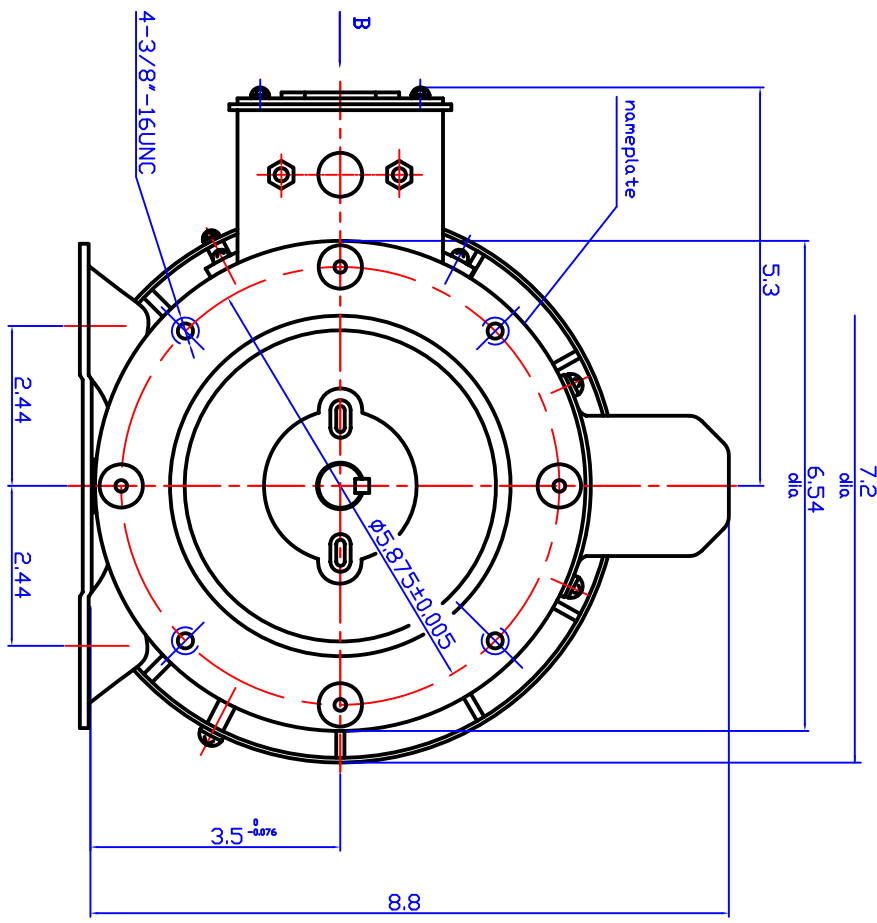
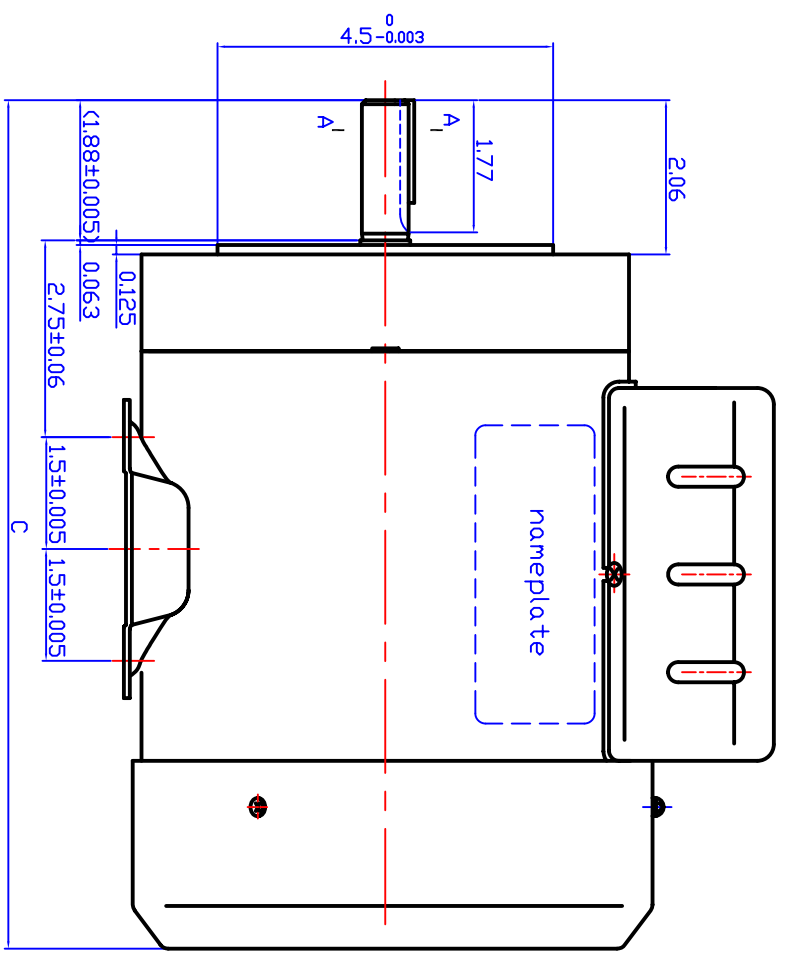
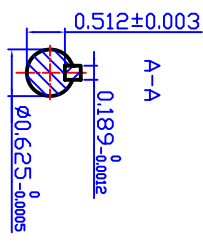
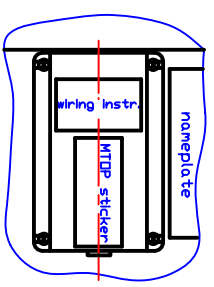


REV	ECO	REV BY	DATE	APPD	DATE
-----	-----	--------	------	------	------



NOTE: To reverse rotation, interchange T5&T8

DIRECTION B



AGI REF#	FRAME	PH	HP	Hz	Pole	Volt	thermal protector	RPM	C	D
C256C	56C	1	1/3	60	4	115/208-230	CED3769	1725	11.0	8.4
C086C	56C	1	1/2	60	4	115/208-230	CED4705	1725		

DR BY:	Candy
APPD:	
FIRST ANGLE PROJECTION	
EDS DATE	VERSION

AG-1 MOTORTEC INC.,	
DESCRIPTION	
OUTLINE OF C256C & C086C	

CONFIDENTIAL PROPERTY OF GW ELECTRIC (SHANGHAI) CORPORATION AND ARE NOT TO BE DISCLOSED, DUPLICATED, OR OTHERWISE USED WITHOUT THE WRITTEN CONSENT OF GW ELECTRIC (SHANGHAI) CORPORATION, OR ITS AGENT, AG-1 MOTORTEC INC.
- ALL RIGHTS RESERVED

SIZE	A3	DWG NO	
SCALE	1:1.5	SHEET	