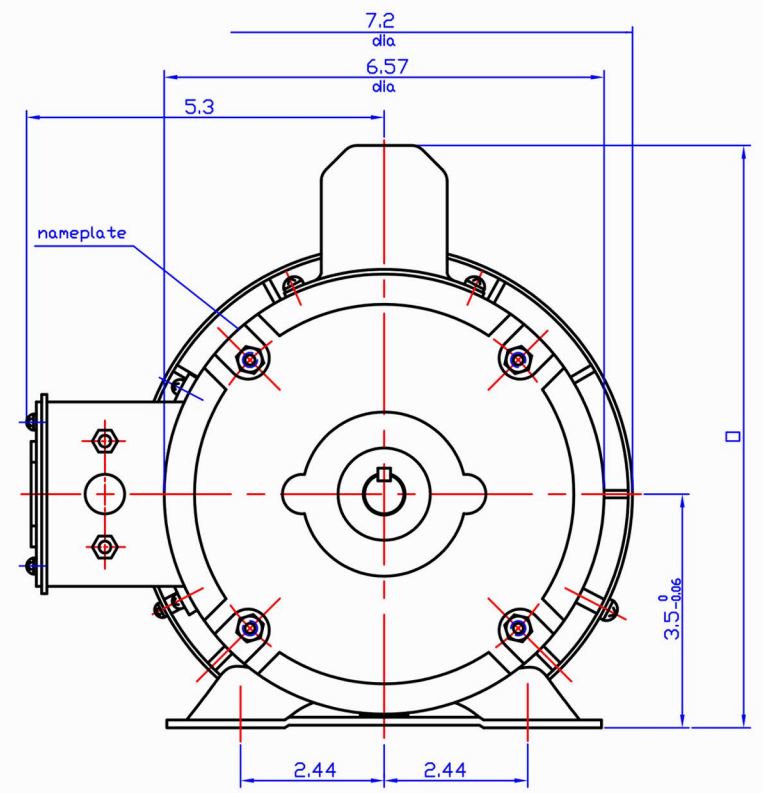
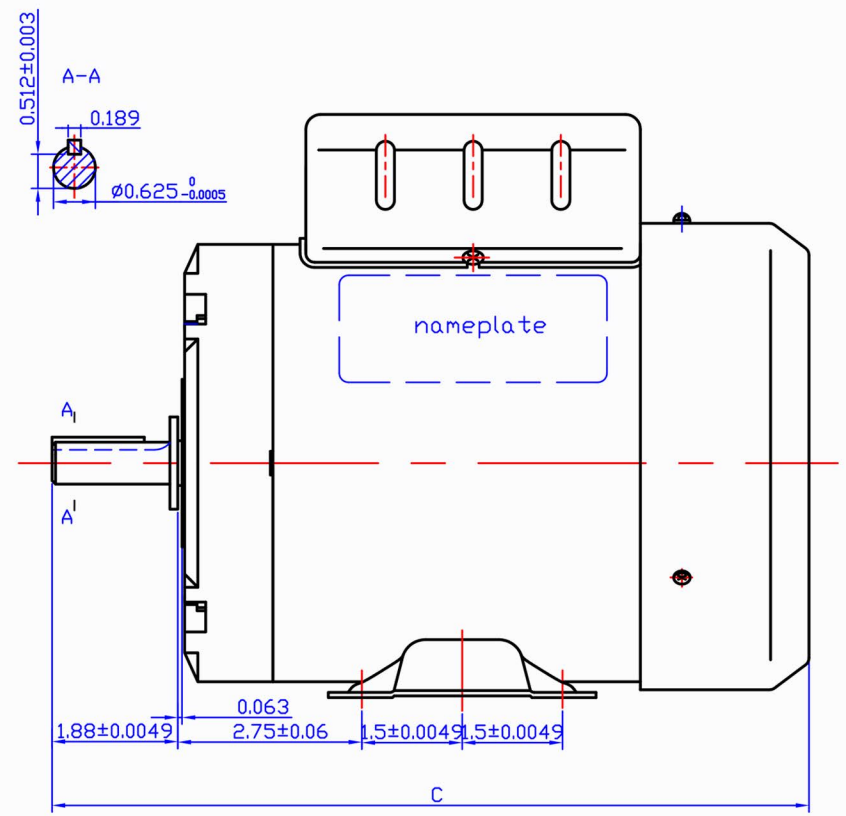
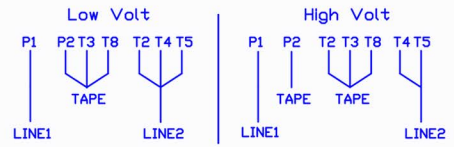


REV	ECO	REV BY	DATE	APPD	DATE
					3.31.2015



IND#	AGI REFER.ND	FRAME	PH	HP	Hz	Pole	Volt	thermal protector	RPM	C	□
C142	C102DF5BM00	56	1	1	60	2	115/208-230	MAN.	3450	11.30	8.4
C109	C152DF5BM00	56	1	1.5	60	2	115/208-230	MAN.	3450	11.90	

wiring diagram



NOTE: To reverse rotation, interchange T5 & T8

DR BY:	Candy
APPD:	
FIRST ANGLE PROJECTION	EDS DATE VERSION
CONFIDENTIAL PROPERTY OF GW ELECTRIC (SHANGHAI) CORPORATION AND ARE NOT TO BE DISCLOSED, DUPLICATED, OR OTHERWISE USED WITHOUT THE WRITTEN CONSENT OF GW ELECTRIC (SHANGHAI) CORPORATION, OR ITS AGENT, AG-I MOTORTEC INC. - ALL RIGHTS RESERVED	



AG-I MOTORTEC INC.,

DESCRIPTION	AGI-006 1 & 1.5HP OUTLINE	
SIZE	A3	DWG NO
SCALE	1:2	SHEET