
TULL TABLE

Mounting	Table/Floor
Lamps description	1 x 70W E27/E26
Environment	Indoor
Finish	Cap in matt paint Cage in glossy paint
Technical description	Wire structure of curved steel, welded into mold and finished with glaze. Diffuser in painted aluminium. Powder coated.

ELECTRICAL

Emergency	Without
Switching	on/off switch
Voltage (V)	230/110

PHYSICAL

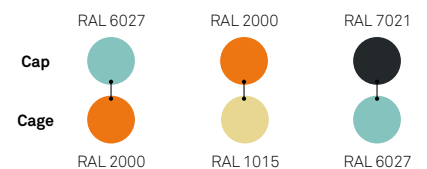
Supply	Power cord
Cord length (cm)	180
Construction material	Steel/Aluminium
Weight (kg)	2,53



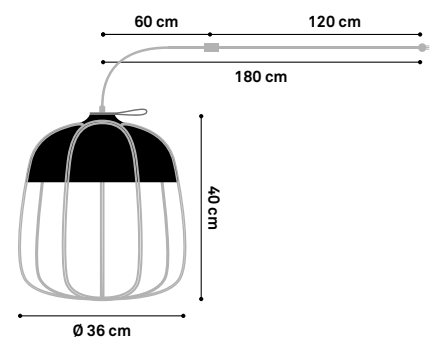
Tull
designed by Tommaso Caldera

Table/floor lamp,
providing direct light

COLOURS



DIMENSIONS



CERTIFICATIONS

Manufactured to UL standards with certified UL components



RECOMMENDED BULB

Lamp wattage
Max 70 W
incandescent

Lamps category
Recommended
fluo/led
equivalent 70W
incandescent

Socket
E27/E26



TULL METAL TABLE

Mounting	Table/Floor
Lamps description	1 x 70W E27/E26
Environment	Indoor
Finish	Metallized cap Cage in glossy paint
Technical description	Wire structure of curved steel, welded into mold and finished with glaze. Diffuser in painted aluminium. Powder coated.

ELECTRICAL

Emergency	Without
Switching	on/off switch
Voltage (V)	230/110

PHYSICAL

Supply	Power cord
Cord length (cm)	180
Construction material	Steel/Aluminium
Weight (kg)	2,53



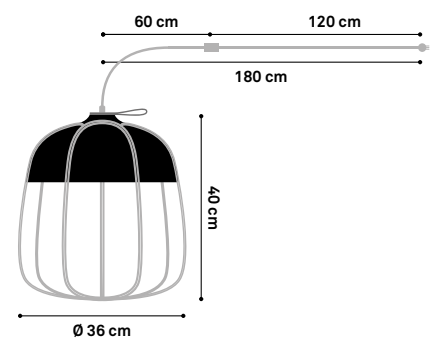
Tull
designed by Tommaso Caldera

Table/floor lamp,
providing direct light

COLOURS



DIMENSIONS



CERTIFICATIONS

Manufactured to UL standards with
certified UL components



RECOMMENDED BULB

Lamp wattage
Max 70 W
incandescent

Lamps category
Recommended
fluo/led
equivalent 70W
incandescent

Socket
E27/E26

