



SHUKSAN VANS

DECKING FOR BASECAMP, ASCENT, & SUMMIT SERIES SPRINTER 144 (2019+)

TAG US

We'd love to see
your rig!



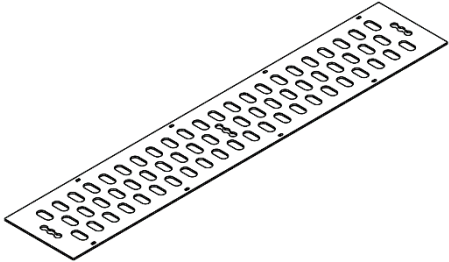
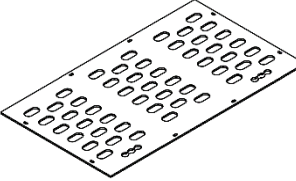



@ShuksanVans



YouTube
Installation Video
SCAN HERE

INSTALLATION GUIDE

PACKAGE CONTENTS

| | | | |
|-----------------|--|--|---|
| PARTS |  <p>10" X 54" DECKING QTY 9</p> |  <p>17" X 30" DECKING QTY 2</p> | |
| HARDWARE |  <p>1/4" BUTTON HEAD 0.5" LENGTH QTY 88</p> |  <p>1/4" FLAT WASHER QTY 88</p> |  <p>DROP-IN T-NUT QTY 88</p> |



STEP-BY-STEP GUIDE

Step 1: Decking

1a. Starting at the front or back of the van, loosely lay down the first **10" X 54" Decking** and install a **Drop-In T-Nut** into the **Crossbar** for each of the small holes in the decking and install using following hardware:

- Black Oxide Bolt 0.5" Length + Loctite
- Black Oxide Flat Washer

Note: For each decking piece, loosely attach all bolts then tighten down.

1b. Repeat **Step 1a** for the rest of the 54" Crossbar sections.

1c. When you get to the **Vent Crossbar Area**, use the **17" X 30" Decking** and install each piece according to the directions in **Step 1a**.

And that's it!

Thanks again for supporting our business.

If you have any questions, please reach out via phone or email and we'll get you all set.