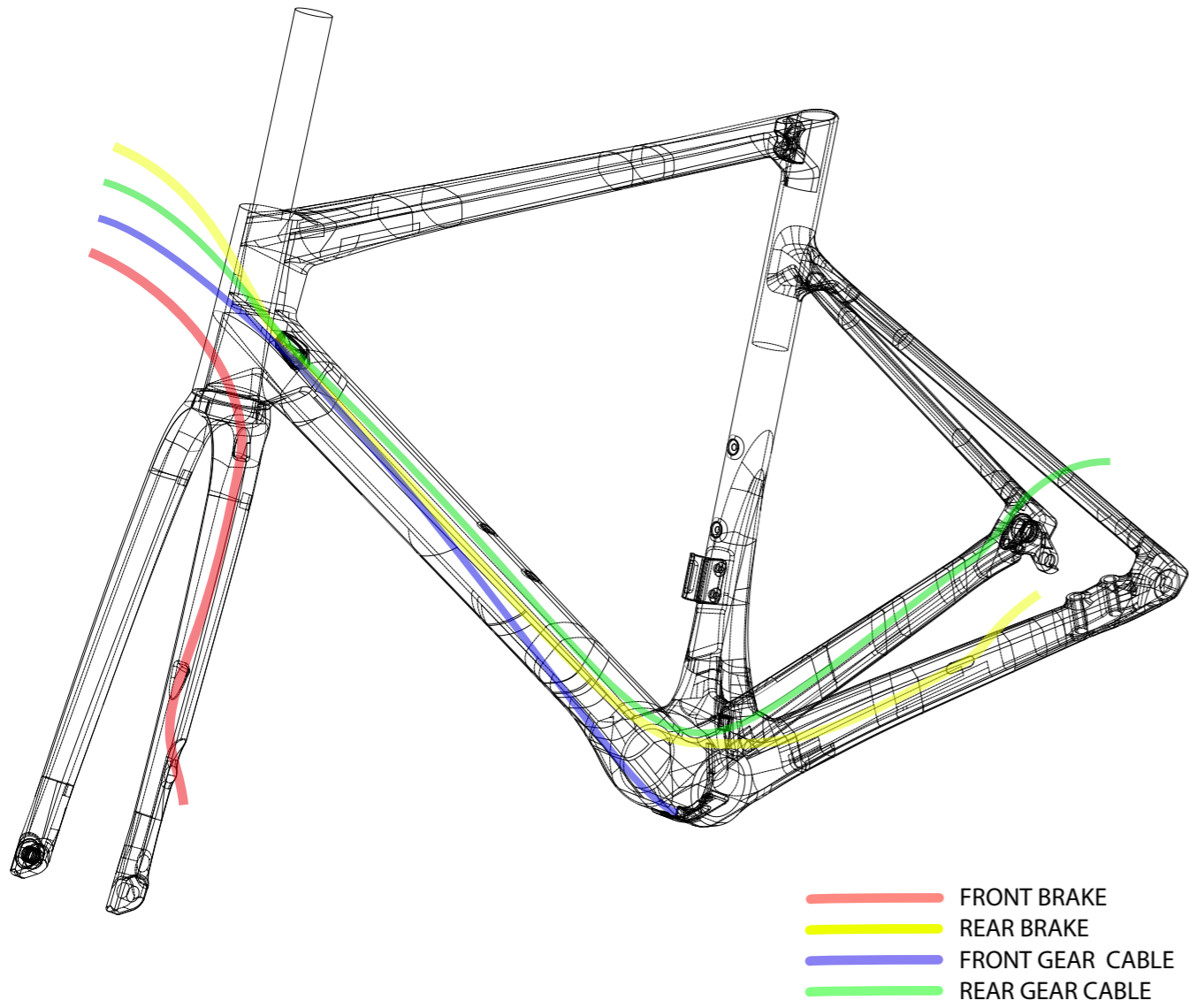


VITUS

VITESSE EVO



Number	Part Description	Quantity	Torque Setting
1	Bottle Cage Bolt M5 x 0.8P x 15mm	4	2NM
2	Front Derailleur BB Cable Guide Bolt	2	1NM
3	Front Derailleur BB Cable Guide	1	-
4	Chain Stay Rear Brake Hose Guide	1	-
5	Headtube Cable Guide	1	1NM
6	Front Derailleur Mount	1	-
7	Front Derailleur Mount Bolts M5 x 0.8P x 17mm	2	5NM
8	Internal Seat Clamp	1	8-10NM
9	Vitus Hanger 22	1	2NM
10	Front Derailleur Seat Tube Cable Guide	1	-

Description	Detail
Material	T800 Carbon Fibre
Layup	Uni-Directional
Front Axle Dimensions	M12 x 1.5P x 123mm Length x 14mm Thread Length
Rear Axle Dimensions	M12 x 1.5P x 172mm Length x 14mm Thread Length
Fender Mounts	No
Pannier Mounts	No

