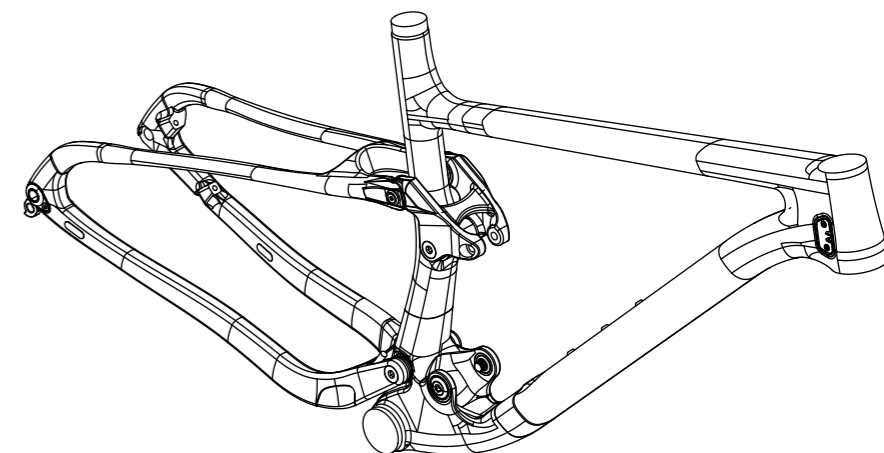
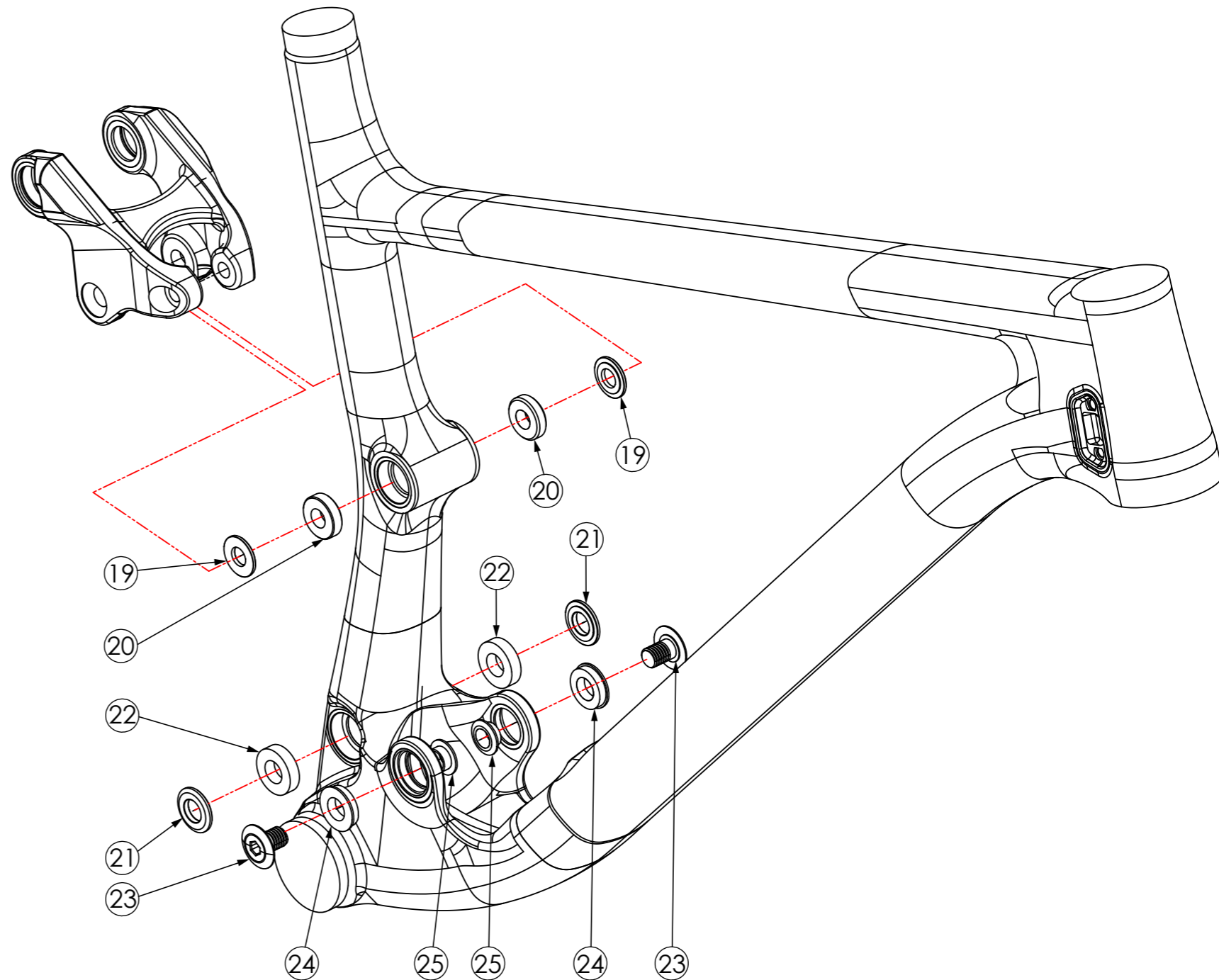


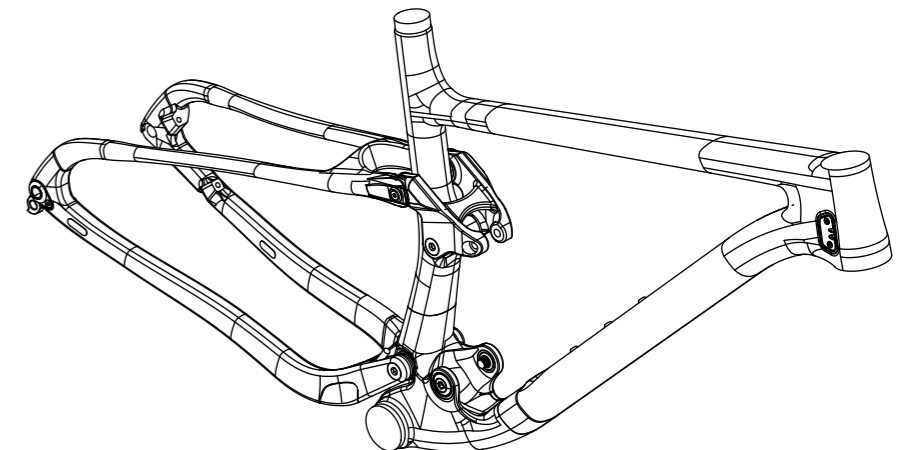
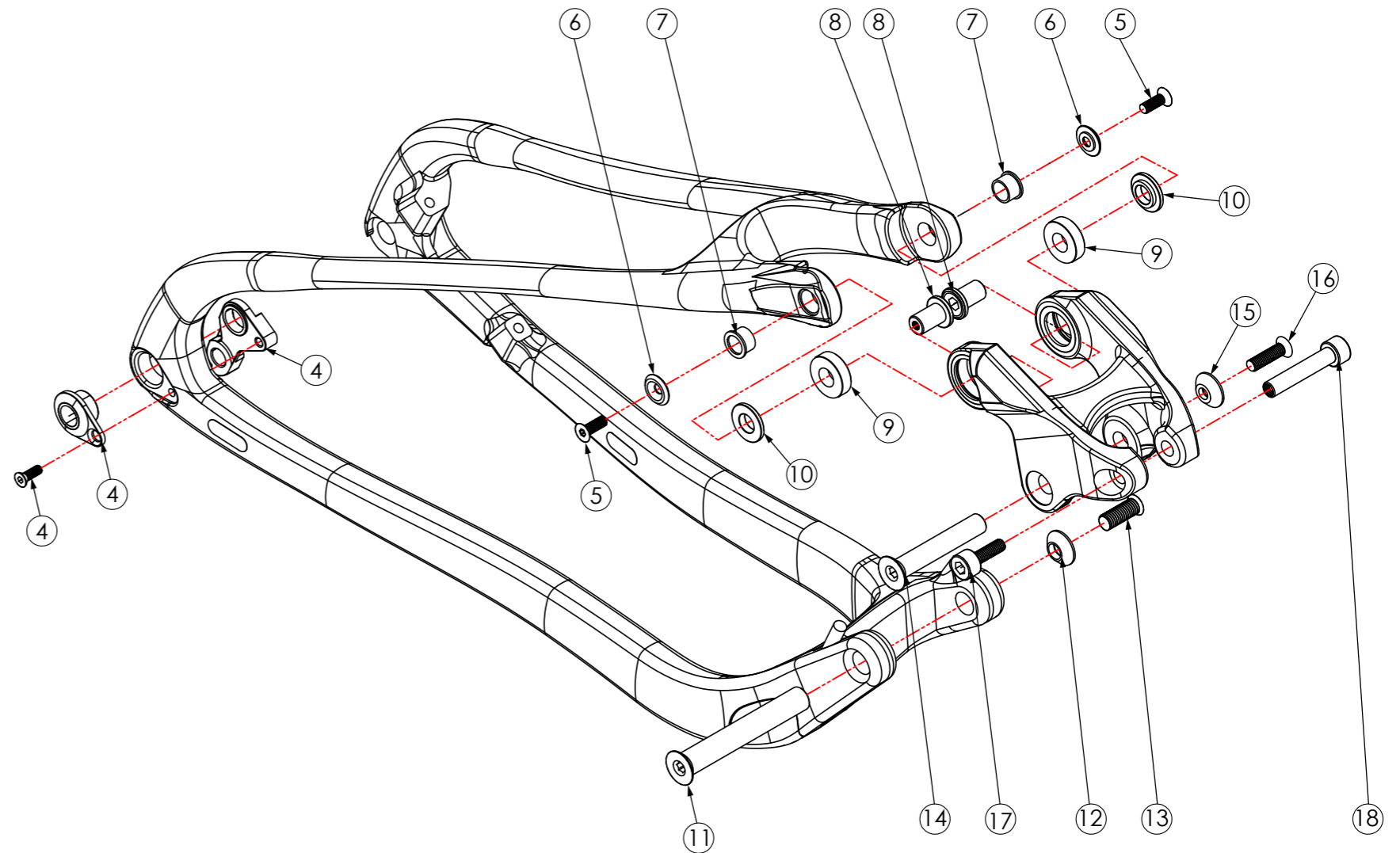
ITEM NO.	FACTORY PART NUMBER	DESCRIPTION	QTY.	FACTORY KIT PART NO.	KIT DESCRIPTION
1	VTRP-1	BOTTLE CAGE BOLTS M5 x 0.8P x 15L	3	M5-0.8P-15L	RAPIDE FS BOTTLE CAGE BOLT
2	VTRP-2	DT/HT CABLE GUIDE BOLTS	6	VTRFSHTCG	RAPIDE FS HEADTUBE AND DOWNTUBE CABLE GUIDE
3	VTRP-3	DT/HT CABLE GUIDE	3		
4	VTRP-4	RAPIDE FS REAR HANGER	1		VTRFSH
5	VTRP-5	SEAT STAY PIVOT BOLT	2	VTRFSUSSK	RAPIDE FS UPPER SEAT STAY KIT
6	VTRP-6	SEAT STAY PIVOT BOLT WASHER	2		
7	VTRP-7	SEAT STAY PIVOT BUSHING	2		
8	VTRP-8	SEAT STAY PIVOT INNER BOLT	2		
9	B7	BEARING - 6900-2RS	2		
10	VTRP-10	SEAT STAY PIVOT WASHER	2	VTRFSMPAK	RAPIDE FS MAIN PIVOT ASSEMBLY KIT
11	VTRP-11	MAIN PIVOT DRIVE SIDE BOLT	1		
12	VTRP-12	MAIN PIVOT BOLT WASHER	1		
13	VTRP-13	MAIN PIVOT NON DRIVE SIDE BOLT	1		
21	VTRP-21	MAIN PIVOT WASHER	2		
22	B8	BEARING - 6901-2RS	2	VTRFSLPK	RAPIDE FS LINKAGE PIVOT KIT
14	VTRP-14	LINKAGE DRIVE SIDE BOLT	1		
15	VTRP-158	LINKAGE DRIVE BOLT WASHER	1		
16	VTRP-16	LINKAGE NON DRIVE SIDE BOLT	1		
19	VTRP-19	LINKAGE PIVOT WASHER	2		
20	B7	BEARING - 6900-2RS	2	VTRFSUSBK	RAPIDE FS UPPER SHOCK BOLT KIT
17	VTRP-17	UPPER SHOCK BOLT 1	1		
18	VTRP-18	UPPER SHOCK BOLT 2	1		
23	VTRP-23	LOWER SHOCK BOLT	2	VTRFSLSBK	RAPIDE FS LOWER SHOCK BOLT KIT
24	B10	BEARING - F6801-2RS	2		
25	VTRP-25	LOWER SHOCK TOP HAT WASHER	2		

Item No.	Vitus Part No.	Description	Torque Setting
1	VTRP-1	BOTTLE CAGE BOLTS M5 x 0.8P x 15L	Max 5nm
2	VTRP-2	DT/HT CABLE GUIDE BOLTS	1nm
5	VTRP-5	SEAT STAY PIVOT BOLT	5nm
8	VTRP-8	SEAT STAY PIVOT INNER BOLT	5nm
11	VTRP-11	MAIN PIVOT DRIVE SIDE BOLT	10nm
13	VTRP-13	MAIN PIVOT NON DRIVE SIDE BOLT	10nm
14	VTRP-14	LINKAGE DRIVE SIDE BOLT	8nm
16	VTRP-16	LINKAGE NON DRIVE SIDE BOLT	6nm
17	VTRP-17	UPPER SHOCK BOLT 1	8nm
18	VTRP-18	UPPER SHOCK BOLT 2	8nm
23	VTRP-23	LOWER SHOCK BOLT	10nm



ITEM NO.	FACTORY PART NUMBER	DESCRIPTION	QTY.	FACTORY KIT PART NO.	KIT DESCRIPTION
1	VTRP-1	BOTTLE CAGE BOLTS M5 x 0.8P x 15L	3	M5-0.8P-15L	RAPIDE FS BOTTLE CAGE BOLT
2	VTRP-2	DT/HT CABLE GUIDE BOLTS	6	VTRFSHTCG	RAPIDE FS HEADTUBE AND DOWNTUBE CABLE GUIDE
3	VTRP-3	DT/HT CABLE GUIDE	3		
4	VTRP-4	RAPIDE FS REAR HANGER	1		VTRFSH
5	VTRP-5	SEAT STAY PIVOT BOLT	2	VTRFSUSSK	RAPIDE FS UPPER SEAT STAY KIT
6	VTRP-6	SEAT STAY PIVOT BOLT WASHER	2		
7	VTRP-7	SEAT STAY PIVOT BUSHING	2		
8	VTRP-8	SEAT STAY PIVOT INNER BOLT	2		
9	B7	BEARING - 6900-2RS	2		
10	VTRP-10	SEAT STAY PIVOT WASHER	2	VTRFSMPAK	RAPIDE FS MAIN PIVOT ASSEMBLY KIT
11	VTRP-11	MAIN PIVOT DRIVE SIDE BOLT	1		
12	VTRP-12	MAIN PIVOT BOLT WASHER	1		
13	VTRP-13	MAIN PIVOT NON DRIVE SIDE BOLT	1		
21	VTRP-21	MAIN PIVOT WASHER	2		
22	B8	BEARING - 6901-2RS	2	VTRFSLPK	RAPIDE FS LINKAGE PIVOT KIT
14	VTRP-14	LINKAGE DRIVE SIDE BOLT	1		
15	VTRP-158	LINKAGE DRIVE BOLT WASHER	1		
16	VTRP-16	LINKAGE NON DRIVE SIDE BOLT	1	VTRFSUSBK	RAPIDE FS UPPER SHOCK BOLT KIT
19	VTRP-19	LINKAGE PIVOT WASHER	2		
20	B7	BEARING - 6900-2RS	2		
17	VTRP-17	UPPER SHOCK BOLT 1	1	VTRFSLSBK	RAPIDE FS LOWER SHOCK BOLT KIT
18	VTRP-18	UPPER SHOCK BOLT 2	1		
23	VTRP-23	LOWER SHOCK BOLT	2	VTRFSLSBK	RAPIDE FS LOWER SHOCK BOLT KIT
24	B10	BEARING - F6801-2RS	2		
25	VTRP-25	LOWER SHOCK TOP HAT WASHER	2		

Item No.	Vitus Part No.	Description	Torque Setting
1	VTRP-1	BOTTLE CAGE BOLTS M5 x 0.8P x 15L	Max 5nm
2	VTRP-2	DT/HT CABLE GUIDE BOLTS	1nm
5	VTRP-5	SEAT STAY PIVOT BOLT	5nm
8	VTRP-8	SEAT STAY PIVOT INNER BOLT	5nm
11	VTRP-11	MAIN PIVOT DRIVE SIDE BOLT	10nm
13	VTRP-13	MAIN PIVOT NON DRIVE SIDE BOLT	10nm
14	VTRP-14	LINKAGE DRIVE SIDE BOLT	8nm
16	VTRP-16	LINKAGE NON DRIVE SIDE BOLT	6nm
17	VTRP-17	UPPER SHOCK BOLT 1	8nm
18	VTRP-18	UPPER SHOCK BOLT 2	8nm
23	VTRP-23	LOWER SHOCK BOLT	10nm



ITEM NO.	FACTORY PART NUMBER	DESCRIPTION	QTY.	FACTORY KIT PART NO.	KIT DESCRIPTION
1	VTRP-1	BOTTLE CAGE BOLTS M5 x 0.8P x 15L	3	M5-0.8P-15L	RAPIDE FS BOTTLE CAGE BOLT
2	VTRP-2	DT/HT CABLE GUIDE BOLTS	6	VTRFSHTCG	RAPIDE FS HEADTUBE AND DOWNTUBE CABLE GUIDE
3	VTRP-3	DT/HT CABLE GUIDE	3		
4	VTRP-4	RAPIDE FS REAR HANGER	1	VTRFSH	RAPIDE FS REAR HANGER
5	VTRP-5	SEAT STAY PIVOT BOLT	2	VTRFSUSSK	RAPIDE FS UPPER SEAT STAY KIT
6	VTRP-6	SEAT STAY PIVOT BOLT WASHER	2		
7	VTRP-7	SEAT STAY PIVOT BUSHING	2		
8	VTRP-8	SEAT STAY PIVOT INNER BOLT	2		
9	B7	BEARING - 6900-2RS	2		
10	VTRP-10	SEAT STAY PIVOT WASHER	2	VTRFSMPAK	RAPIDE FS MAIN PIVOT ASSEMBLY KIT
11	VTRP-11	MAIN PIVOT DRIVE SIDE BOLT	1		
12	VTRP-12	MAIN PIVOT BOLT WASHER	1		
13	VTRP-13	MAIN PIVOT NON DRIVE SIDE BOLT	1		
21	VTRP-21	MAIN PIVOT WASHER	2		
22	B8	BEARING - 6901-2RS	2	VTRFSLPK	RAPIDE FS LINKAGE PIVOT KIT
14	VTRP-14	LINKAGE DRIVE SIDE BOLT	1		
15	VTRP-158	LINKAGE DRIVE BOLT WASHER	1		
16	VTRP-16	LINKAGE NON DRIVE SIDE BOLT	1		
19	VTRP-19	LINKAGE PIVOT WASHER	2		
20	B7	BEARING - 6900-2RS	2	VTRFSUSBK	RAPIDE FS UPPER SHOCK BOLT KIT
17	VTRP-17	UPPER SHOCK BOLT 1	1		
18	VTRP-18	UPPER SHOCK BOLT 2	1	VTRFSLSBK	RAPIDE FS LOWER SHOCK BOLT KIT
23	VTRP-23	LOWER SHOCK BOLT	2		
24	B10	BEARING - F6801-2RS	2		
25	VTRP-25	LOWER SHOCK TOP HAT WASHER	2		

Item No.	Vitus Part No.	Description	Torque Setting
1	VTRP-1	BOTTLE CAGE BOLTS M5 x 0.8P x 15L	Max 5nm
2	VTRP-2	DT/HT CABLE GUIDE BOLTS	1nm
5	VTRP-5	SEAT STAY PIVOT BOLT	5nm
8	VTRP-8	SEAT STAY PIVOT INNER BOLT	5nm
11	VTRP-11	MAIN PIVOT DRIVE SIDE BOLT	10nm
13	VTRP-13	MAIN PIVOT NON DRIVE SIDE BOLT	10nm
14	VTRP-14	LINKAGE DRIVE SIDE BOLT	8nm
16	VTRP-16	LINKAGE NON DRIVE SIDE BOLT	6nm
17	VTRP-17	UPPER SHOCK BOLT 1	8nm
18	VTRP-18	UPPER SHOCK BOLT 2	8nm
23	VTRP-23	LOWER SHOCK BOLT	10nm

