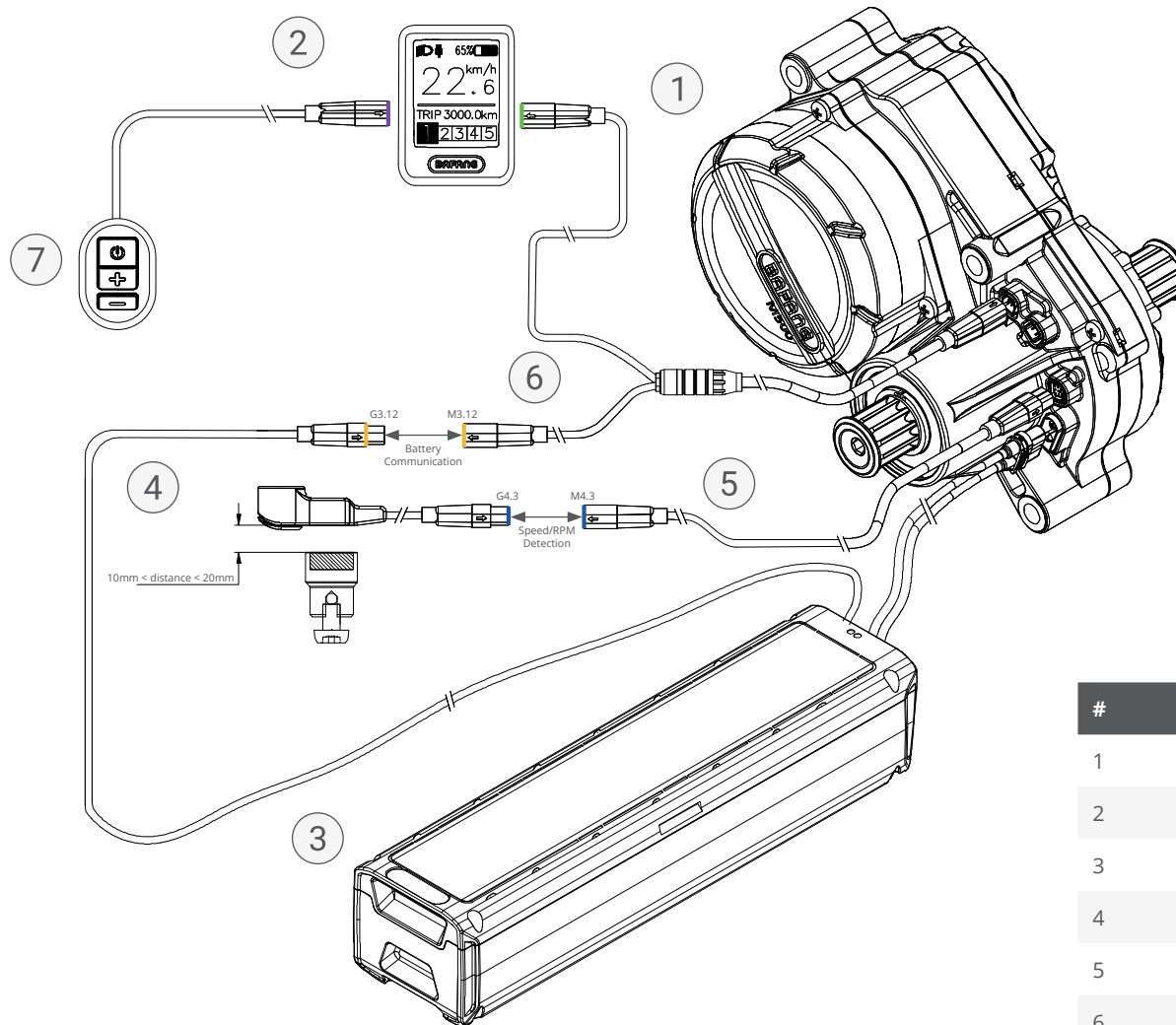


# Vitus E-Mythique LT - Bafang M510

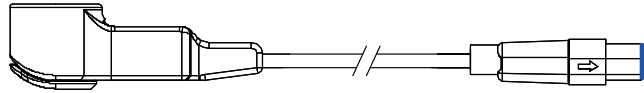
## Wiring Diagram



#	Description
1	M500/M510 motor
2	Display
3	F16 battery
4	Speed sensor
5	Speed sensor > motor cable
6	Display > motor > battery cable
7	Display remote

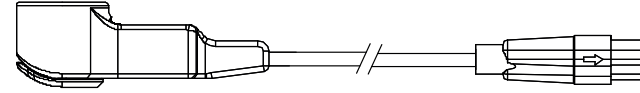
## Speed sensor cable

4



Speed sensor >  
motor cable G4.3  
Blue connector

OR 4 5

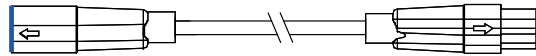


Motor  
Black connector

## Speed sensor > motor cable

5

Speed sensor cable M4.3  
Blue connector

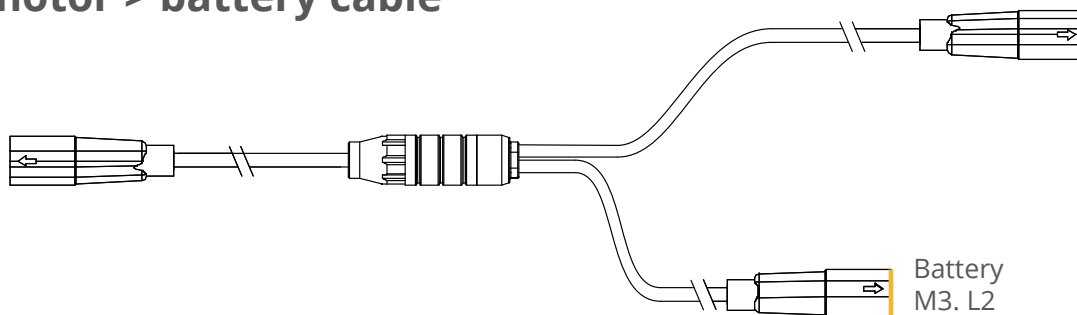


Motor  
Black connector

## Display > motor > battery cable

6

Motor  
Black connector



Display M5.4  
Green connector

Battery  
M3. L2  
Orange connector