

VC60D

34.88" x 23.25" x 22.0" (H x W x D)

59 bottle fully integrated dual zone wine cellar with digital controls and LED lighting

Highlights:

Dual zone design lets you store red and white wine in separate compartments under the appropriate temperature conditions

Double pane tempered glass door protects your collection from harmful light

Digital controls offer easy and intuitive temperature management

Seamless stainless steel trimmed glass door for true luxury

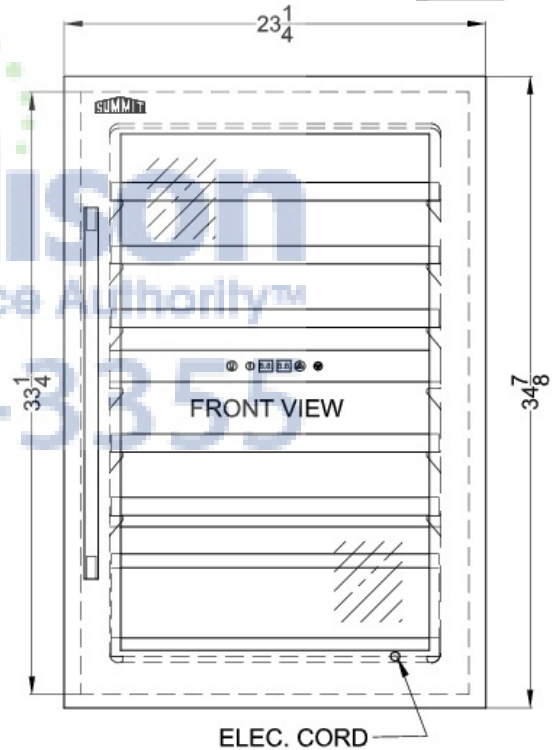
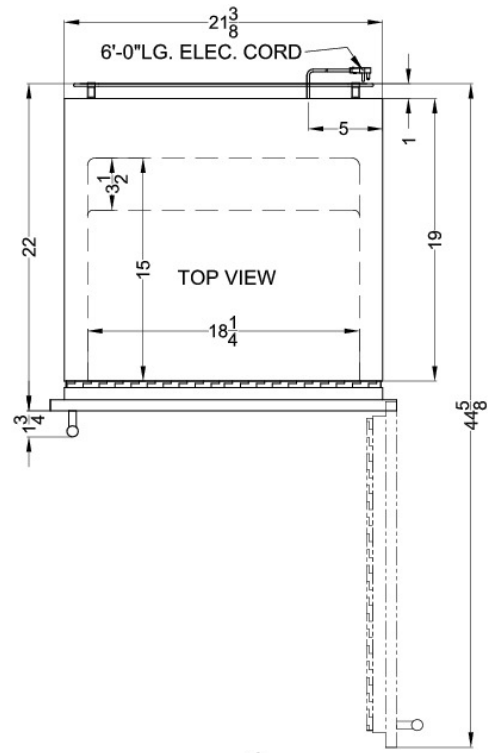


AjMadison
Your Appliance Authority™
800-570-3355

Dual zone design	Lower zone is ideal for storing red and blush wine between 55 and 72°F, while the upper compartment is better suited for cooler blushes and whites at 41 to 55°F
Digital thermostat	Electronic controls ensure easy and intuitive temperature management, with a readout in Celsius or Fahrenheit
Dynamic compressor cooling	Ensures evenly cooled interior for proper storage
Reversible door	User-reversible door swing in double pane tempered glass for best protection from UV light
Slide-out wooden shelves	Store bottles safely in classic style
Tilted wine rack	Unique design lets you stand bottles at an angle to display the label
Open door alarm	Sounds after door is left open for over a minute to best prevent accidents
Interior light	Can be set for showcase mode, remaining on until manually turned off, or functional model (turning on when the door is opened and off when it is closed)
Temperature alarm	Alarm sounds off when unit's interior rises or falls out of the set range
Sabbath Mode	Optional setting lets you disable the lighting and alarm for 96 hours

VC60D Specifications:

Height	34.88"
Width	23.25"
Depth	22.0"
Ext Depth with Handle	23.75"
Interior Height 1	12.25"
Interior Width 1	18.25"
Interior Depth 1	15.0"
Interior Height 2	15.5"
Interior Width 2	18.25"
Interior Depth 2	15.0"
Comp Step Height	7.5"
Comp Step Width	18.25"
Comp Step Depth	3.5"
Weight	110.0 lbs.
US Electrical Safety	ETL
Voltage/Frequency	115 V AC/60 Hz
Canadian Electrical Safety	ETL-C
Amps	2.0
Reversible	Yes
Door Swing	RHD
Shelf Quantity	6
Shelf Type	Wood
Wine Bottle Holder	true
Defrost Type	Automatic
Depth with door at 90°	44.63"
Thermostat Type	Digital
Light	true
Fan Type	Interior
Refrigerant Type	R134a
High Side PSI	270.0
Freon Oz	2.05
Low Side PSI	105.0
Compressor Warranty	5 Years
Parts/Labor Warranty	1 Year



AjMadison
Your Appliance Authority™
800-570-3355

Summit Appliance Division, Felix Storch, Inc.
770 Garrison Ave • Bronx, NY 10474
Phone: 718-893-3900 • Fax: 718-842-3093
Email: info@summitappliance.com