

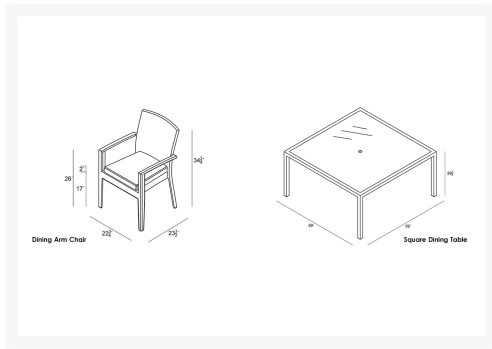


HARMONIA
LIVING

Urbana 9 Piece Square Arm Dining Set - Canvas Charcoal HL-URBN-CB-9ASDS-CC

Product Images





Description

For your next outdoor soiree, look no further than the Urbana 9 Piece Square Arm Dining Set by Harmonia Living. Perfect for seating up to 8 people, this set will bring added functionality and style to your patio! This collection's modern design, high arms and rich, dark wicker give it a unique visual appeal, while sturdy, all-weather construction ensures lasting performance across the seasons. The wicker is made with durable High-Density Polyethylene (HDPE) and finished in a beautifully textured Coffee Bean color, which gives it a natural feel. Its sturdy aluminum frames, double reinforced seats and fade resistant cushions are made to endure in any outdoor setting, rain or shine. The table is topped with frosted tempered glass, a finishing touch that is ideal for frequent use and cleaning. This set comes with 8 Dining Arm Chairs and 1 Square 8-Seater Table, perfect for your patio or outdoor lounge.

Includes

- 1x Urbana 8-Seater Square Dining Table
- 8x Urbana Dining Arm Chairs
- 8x Dining Chair Cushions

Dimensions

- Dining Table: 59"W x 59"D x 29.5"H (125lbs.)
- Under Table Height: 27
- Dining Chair: 22.75"W x 23.5"D x 34.75"H (17lbs.)
- Seat Height (No Cushion): 17
- Seat Height (With Cushion): 20
- Back Height (Seat to Top): 14.75
- Arm Height: 26

Features

- Thick gauge, powder-coated aluminum frames are lightweight, durable and corrosion resistant.
- Seat frames are double reinforced for lasting durability.
- Includes umbrella hole with cover for easy shade placement. The umbrella hole can accommodate umbrellas with a pole diameter up to 1.5".
- Includes plastic feet glides to help protect your deck or patio.
- The dining table requires assembly, the chairs do not.
- Optional cushions are available in Sunbrella, Outdura and Revolution performance fabrics, which are distinctive, fade resistant and easy to clean. Cushions are made in the USA.
- Cushion cover comes with a zipper for easy removal.

- A self-welt (seam piping) can be added for a tailored look.