



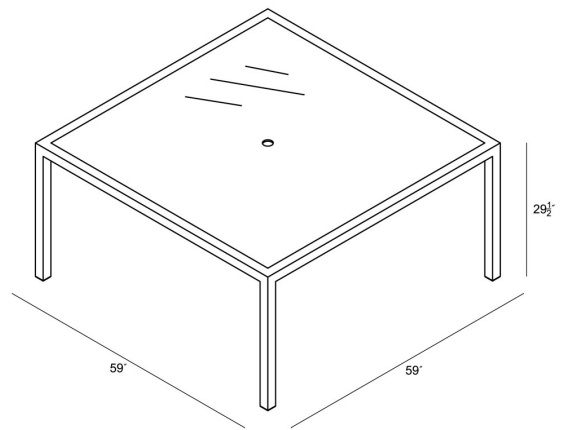
HARMONIA  
LIVING

## Urbana 8-Seater Square Dining Table HL-URBN-CB-8SQDT

### Product Images

---





## Description

---

Dine in comfort and style with the Urbana Collection by Harmonia Living! This piece's modern look and dark wicker frame give it a unique visual appeal, while sturdy, all-weather construction ensures lasting performance across the seasons. Its large table top allows you to easily seat up to 8 people comfortably. The wicker is made with durable High-Density Polyethylene (HDPE) and finished in a beautifully textured Coffee Bean color, which gives it a natural feel. A frosted, tempered glass top makes cleaning an easy task, while its thick-gauged aluminum frame provides a stable, durable foundation for your new dining table.

## Includes

- 1x Urbana 8-Seater Square Dining Table
- 1x Dining Table Glass Top

## Dimensions

- Dining Table: 59"W x 59"D x 29.5"H (125lbs.)
- Under Table Height: 27

## Features

- High-Density Polyethylene (HDPE) Wicker (Coffee Bean Finish) is all-weather, recyclable and resistant to fading or cracking.
- Thick gauge, powder-coated aluminum frame is lightweight, durable and corrosion resistant.
- Tempered glass table top is extra strong and made for regular outdoor exposure.
- Includes plastic feet glides to help protect your deck or patio.
- Includes umbrella hole for easy shade placement. The umbrella hole can accommodate umbrellas with a pole diameter up to 1.5".
- Some assembly required.