



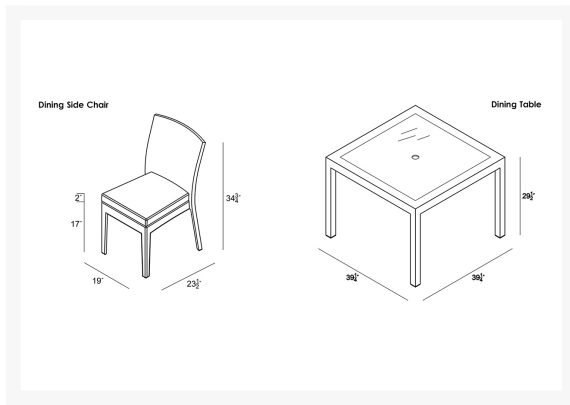
HARMONIA  
LIVING

Urbana 5 Piece Dining Set - Canvas Natural HL-URBN-CB-5DS-CN

Product Images

---





## Description

---

For your next outdoor soiree, look no further than the Urbana 5 Piece Dining Set by Harmonia Living. Perfect for seating up to 4 people, this set will bring added functionality and style to your patio! This collection's modern design and rich, dark wicker give it a unique visual appeal, while sturdy, all-weather construction ensures lasting performance across the seasons. The wicker is made with durable High-Density Polyethylene (HDPE) and finished in a beautifully textured Coffee Bean color, which gives it a natural feel. Its sturdy aluminum frames and double reinforced seats are made to endure in any outdoor setting, rain or shine. The table is topped with frosted tempered glass, a finishing touch that is ideal for frequent use and cleaning. This set comes with 4 Dining Side Chairs and 1 Square 4-Seater Table, perfect for your patio or outdoor lounge.

## Includes

- 1x Urbana 4-Seater Square Dining Table
- 4x Urbana Dining Side Chairs
- 4x Dining Chair Cushions

## Dimensions

- Dining Table: 39.25"W x 39.25"D x 29.5"H (65lbs.)
- Under Table Height: 27
- Dining Chair: 19"W x 23.5"D x 34.75"H (14lbs.)
- Seat Height (No Cushion): 17
- Seat Height (With Cushion): 20
- Back Height (Seat to Top): 14.75

## Features

- Frame Finish: Coffee Bean
- Seat/Back Finish: Coffee Bean
- Table Finish: Coffee Bean
- Tabletop Finish: Frosted
- Country Of Origin: Country of Origin: China
- Assembly Required:
- High-Density Polyethylene (HDPE) Wicker (Coffee Bean Finish) is all-weather, recyclable and resistant to fading or cracking.
- Thick gauge, powder-coated aluminum frames are lightweight, durable and corrosion resistant.
- Seat frames are double reinforced for lasting durability.

- Table includes umbrella hole for easy shade placement.
- Includes plastic feet glides to help protect your deck or patio.
- Some assembly required.

## **Compatible Cushions**

- HL-CUSH-DC (4)