

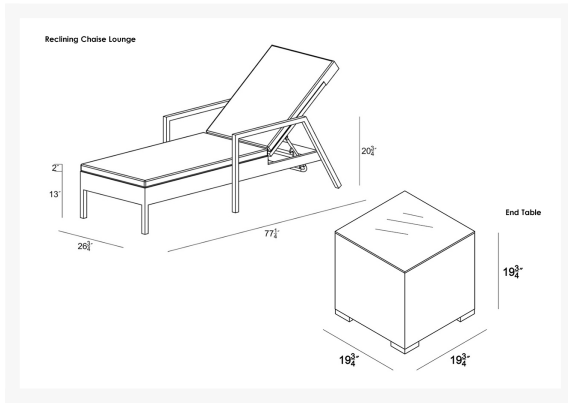


HARMONIA
LIVING

Urbana 3 Piece Reclining Chaise Lounge Set - Canvas Natural HL-URBN-CB-3RCLS-CN

Product Images





Description

Create your ideal poolside or mountain view deck with the Urbana 3 Piece Reclining Chaise Lounge Set by Harmonia Living. This collection's modern design and rich, dark wicker give it a unique visual appeal, while sturdy, all-weather construction ensures lasting performance across the seasons. The wicker is made with durable High-Density Polyethylene (HDPE) and finished in a beautifully textured Coffee Bean color, which gives it a natural feel. Its sturdy aluminum frames and triple reinforced seats are made to endure in any outdoor setting, rain or shine. The table is topped with extra strong tempered glass, a finishing touch that is ideal for frequent use. The chaises recline fully up and down, allowing you to adjust them to your maximum comfort level. This set comes with 2 Chaise Lounges and 1 Square End Table, perfect for your patio or outdoor lounge.

Includes

- 2x Urbana Reclining Chaise Lounges
- 2x Reclining Chaise Lounge Cushions
- 1x Urbana End Table

Dimensions

- Chaise Lounge: 77.25"W x 26.75"D x 20.75"H (35lbs.)
- Seat Height (No Cushion): 13
- Seat Height (With Cushion): 15
- Back Height (Seat to Top): 27
- Arm Height: 20.75
- End Table: 19.75"W x 19.75"D x 19.75"H (29lbs.)

Features

- Thick gauge, powder-coated aluminum frames are lightweight, durable and corrosion resistant.
- Seat frames are triple reinforced for lasting durability.
- Includes plastic feet glides to help protect your deck or patio.
- Tempered glass table top is extra strong and made for regular outdoor exposure.
- No assembly required.
- Optional cushions are available in Sunbrella, Outdura and Revolution performance fabrics, which are distinctive, fade resistant and easy to clean. Cushions are made in the USA.
- Cushion cover comes with a zipper for easy removal.
- A self-welt (seam piping) can be added for a tailored look.