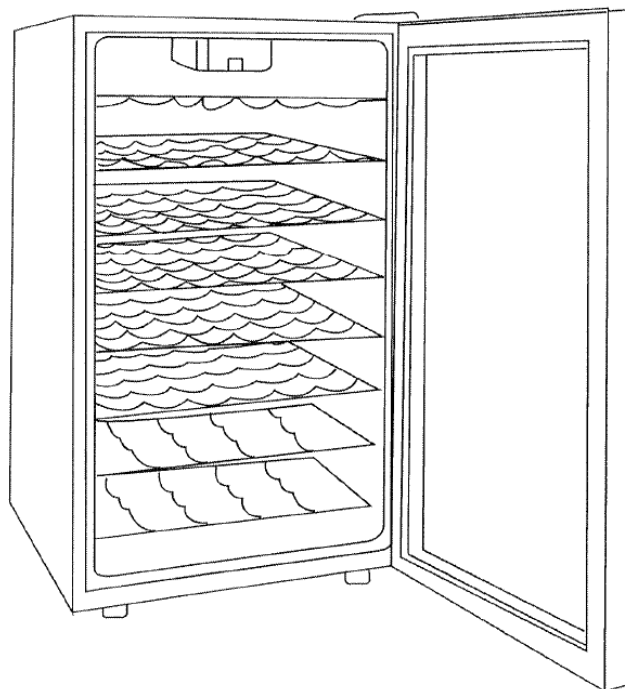


SUMMIT

WINE CELLAR

Models SWC525L & SWC525LBI



Owner's Manual

**BEFORE USE, PLEASE READ AND FOLLOW
ALL SAFETY RULES AND OPERATING INSTRUCTIONS**

Write the Serial Number here:

FELIX STORCH, INC.
770 Garrison Avenue
Bronx, NY 10474
www.summitappliance.com

IMPORTANT SAFEGUARDS

Your safety and the safety of others are very important.

We have provided many important safety messages in this manual and on your appliance. Always read and obey all safety messages.



This is the Safety Alert Symbol. This symbol alerts you to potential hazards that can kill or injure you and others. All safety messages will follow the Safety Alert Symbol and either the words "DANGER" or "WARNING".



DANGER means that failure to heed this safety statement may result in severe personal injury or death.



WARNING means that failure to heed this safety statement may result in extensive product damage, serious personal injury, or death.

Safety messages will alert you to what the potential hazard is, tell you how to reduce the chance of injury, and let you know what can happen if the instructions are not followed.



Before the wine cellar is used, it must be properly positioned and installed as described in this manual, so read the manual carefully. To reduce the risk of fire, electrical shock or injury when using the appliance, follow basic precautions, including the following:



- Plug into a grounded 3-prong outlet. Do not remove grounding prong, do not use an adapter, and do not use an extension cord.
- It is recommended that a separate circuit, serving only your wine cellar, be provided. Use receptacles that cannot be turned off by a switch or pull chain.
- Never clean wine cellar parts with flammable fluids. These fumes can create a fire hazard or explosion. And do not store or use gasoline or other flammable vapors and liquids in the vicinity of this or any other appliance. The fumes can create a fire hazard or explosion.
- Before proceeding with cleaning and maintenance operations, make sure the power line of the unit is disconnected.
- Do not connect or disconnect the electric plug when your hands are wet.
- Unplug the wine cellar or disconnect the power before cleaning or servicing. Failure to do so can result in electrical shock or death.
- Do not attempt to repair or replace any part of your appliance unless it is specifically recommended in this material. All other servicing should be referred to a qualified technician.



WARNING

- Use two or more people to move and install the wine cellar. Failure to do so can result in back or other injury.
 - To ensure proper ventilation for your appliance, the front of the unit must be completely unobstructed. Choose a well-ventilated area with temperatures above 60°F (16°C) and below 90°F (32°C). This unit must be installed in an area protected from the elements, such as wind, rain, water spray or drips.
 - The wine cellar should not be located next to ovens, grills or other sources of high heat.
 - The wine cellar must be installed with all electrical connections in accordance with state and local codes. A standard electrical supply (115V AC only, 60 Hz), properly grounded in accordance with the National Electrical Code and local codes and ordinances, is required.
 - Do not kink or pinch the power supply cord of the appliance.
 - The fuse (or circuit breaker) size should be 15 amps.
 - It is important for the wine cellar to be leveled in order to work properly. You may need to make several adjustments to level it.
 - Never allow children to operate, play with or crawl inside the wine cellar.
 - Although the unit has been tested at the factory, due to transit and storage, you should clean the appliance before use.
 - Do not use solvent-based cleaning agents or abrasives on the interior. These cleaners may damage or discolor the interior.
 - Do not use this apparatus for other than residential purposes.
 - THIS APPLIANCE IS NOT INTENDED FOR USE BY YOUNG CHILDREN OR INFIRM PERSONS UNLESS THEY HAVE BEEN ADEQUATELY SUPERVISED BY A RESPONSIBLE PERSON TO ENSURE THAT THEY CAN USE THE APPLIANCE SAFELY. YOUNG CHILDREN SHOULD BE SUPERVISED TO ENSURE THAT THEY DO NOT PLAY WITH THE APPLIANCE.
-



DANGER



Risk of child entrapment

Child entrapment and suffocation are not problems of the past. Junked or abandoned refrigerators are still dangerous, even if they will “just sit in the garage a few days.”

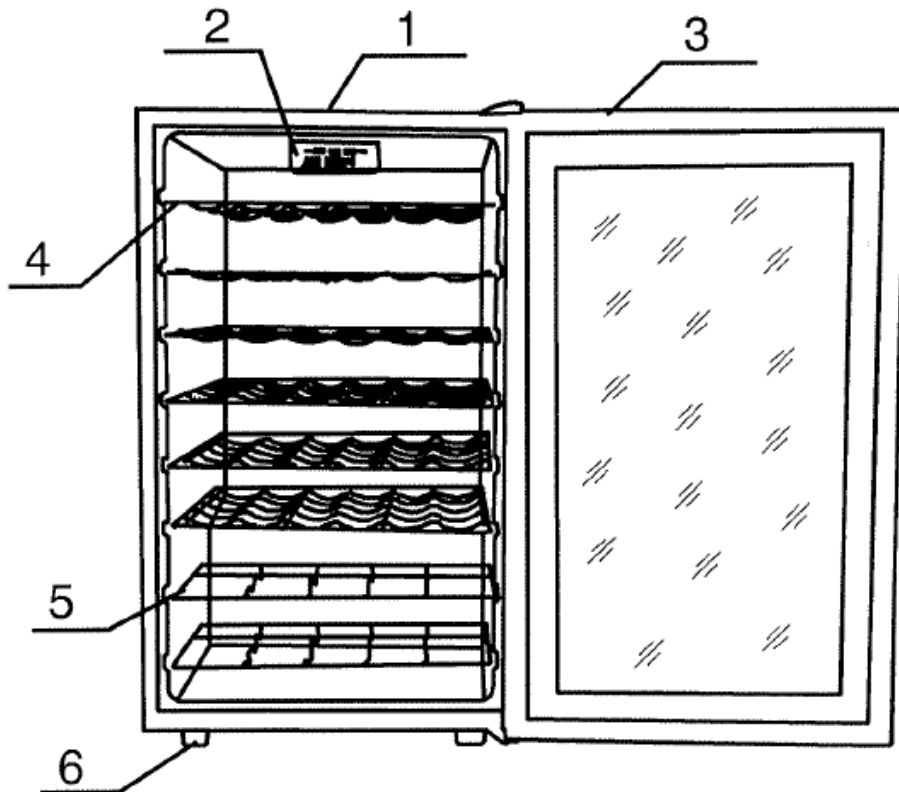
- **Before you throw away your old refrigerator:**
 - Take off the doors.
 - Leave the shelves in place so that children may not easily climb inside.
- Never allow children to operate, play with, or crawl inside the appliance.

- SAVE THESE INSTRUCTIONS -

Table of Contents

<i>Important Safeguards</i>	1 - 2
<i>Location of Parts</i>	3
<i>Technical Information</i>	4
<i>Installation Instructions</i>	4 - 6
<i>Before Using Your Wine Cellar</i>	4
<i>Installing the Wine Cellar</i>	4 - 5
<i>Electrical Connection / Extension Cord</i>	5
<i>Reversing the Door Swing</i>	6
<i>Operating Your Wine Cellar</i>	7
<i>Temperature Control / Fahrenheit/Celsius Readout / Interior LED Light</i>	7
<i>Care and Maintenance</i>	8
<i>Cleaning Your Wine Cellar / Power Failure</i>	8
<i>Vacation Time / Moving your Unit / Energy-Saving Tips</i>	8
<i>Problems with Your Refrigerator? (Troubleshooting)</i>	9
<i>Limited Warranty</i>	11

Location of Parts



- 1. Countertop**
- 2. Control panel**
- 3. Glass door**
- 4. Chrome shelves (6)**
- 5. Chrome racks (2)**
- 6. Adjustable foot**

Technical Information

Model	SWC525L	SWC525LBI
Installation	Free-standing	Built-in
Color	Black with glass door	
Capacity	42 standard wine bottles	
Electrical Input	115V AC / 60Hz	
Temperature Range	45°F - 65°F (7°C - 18°C)	
Refrigerant	R134a, 1.59 oz.	
Unit weight	66.0 lbs.	
Unit Dimensions (W x D x H*)	20.0" x 23¼" x 33¼"	20.0" x 23¼" x 33¼" to 34½"

*For models with suffix ADA, height is modified to 32" for use under lower counters

Installation Instructions

Before Using Your Wine Cellar:

- Remove the exterior and interior packing.
- Check to be sure you have all of the following parts:
 - 6 chrome shelves
 - 2 chrome racks
 - 2 keys
 - Instruction manual
- Before connecting the unit to the power source, let it stand for approximately 2 hours. This will reduce the possibility of a malfunction in the cooling system from handling during transportation.
- Clean the interior surface with lukewarm water using a soft cloth.

Installing the Wine Cellar:

- Place your unit on a floor that is strong enough to support it when it is fully loaded. To level your unit, adjust the leveling leg at the bottom.
- Model SWC525L is designed to be free-standing only, and should not be recessed or built in (fully recessed). On the other hand, model SWC525LBI is specifically designed to be built in.
- Model SWC525L: Allow 5 inches of space at the back, sides and top of the unit, which will allow the proper air circulation to cool the compressor.
- Model SWC525LBI: This built-in model is designed to be installed under the counter in a 21-inch opening. When installing, provide the following clearances to ensure the best operation and proper ventilation: 1/4" on both sides, 2" at the rear

and 1/16” at the top. Be sure that airflow under the appliance is not blocked. If the appliance is going to be placed against a wall, if possible, leave extra space on the hinge side so the door can open wider than its width (to make it easier to remove wire racks).

- Locate the unit away from direct sunlight and sources of heat (stove, heater, radiator, etc.). Direct sunlight may affect the acrylic coating and heat sources may increase electrical consumption. Extremely cold ambient temperatures may also affect the unit's performance.
- Avoid locating the unit in moist areas.
- Plug the unit into an exclusive, properly installed and grounded wall outlet. Do not under any circumstances cut or remove the third (ground) prong from the power cord. Any questions concerning power and/or grounding should be directed toward a certified electrician or authorized service center.
- After plugging the appliance into a wall outlet, allow the unit to cool down for 2 to 3 hours before placing items in the storage compartment.

Electrical Connection:

WARNING

Improper use of the grounded plug can result in the risk of electrical shock. If the power cord is damaged, have it replaced by an authorized service center.

This unit should be properly grounded for your safety. The power cord of this unit is equipped with a three-prong plug which mates with a standard three-prong wall outlet to minimize the possibility of electrical shock.

Do not under any circumstances cut or remove the third ground prong from the power cord supplied. For personal safety, this appliance must be properly grounded.

This unit requires a standard 115-volt AC/60Hz electrical outlet with three-prong ground. Have the wall outlet and circuit checked by a qualified electrician to make sure the outlet is properly grounded. When a standard 2-prong wall outlet is encountered, it is your responsibility and obligation to have it replaced with a properly grounded 3-prong wall outlet.

To prevent accidental injury, the cord should be secured behind the unit and not left exposed or dangling.

The unit should always be plugged into its own individual electrical outlet which has a voltage rating that matches the rating label on the appliance. This provides the best performance and also prevents overloading house wiring circuits that could cause a fire hazard from overheated wires. Never unplug the unit by pulling on the power cord. Always grip the plug firmly and pull straight out from the receptacle. Repair or replace immediately any power cord that has become frayed or otherwise damaged. Do not use a cord that shows cracks or abrasion damage along its length or at either end. When moving the unit, be careful not to damage the power cord.

Extension Cord:

Do not use an extension cord with this appliance. If the power cord is too short, have a qualified electrician or service technician install an outlet near the appliance.

Reversing the Door Swing:

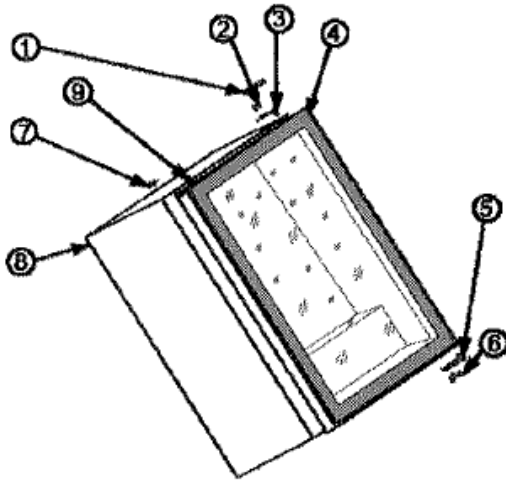


Figure 1 (Default position)

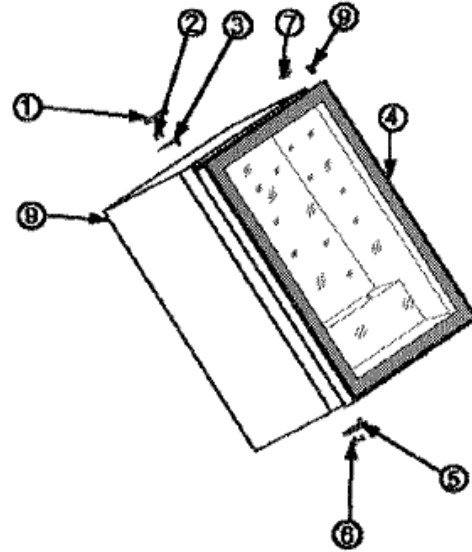


Figure 2 (After door reversal)

- | | |
|----------------------|---------------|
| 1. Upper hinge cover | 6. Screws |
| 2. Screws | 7. Hole cover |
| 3. Upper hinge | 8. Cabinet |
| 4. Door | 9. Pin cap |
| 5. Lower door hinge | |

This wine cellar can be opened from either the right side or the left. By default, the door hinge is on the right side. If you prefer it on the left, please follow these instructions:

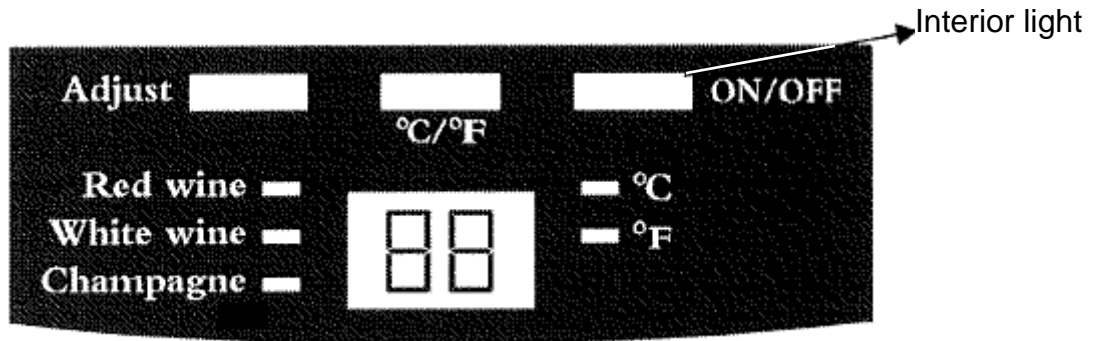
NOTE: All of the parts that are removed must be kept for the reinstallation of the door.

1. Remove the upper hinge cover (1).
2. Remove the three screws (2) that hold the upper door hinge (3).
3. Lift the door and place it on a padded surface to prevent scratching.
4. Remove the three screws (6) that hold the lower door hinge (5).
5. Remove the hole cover (7) and transfer it to the same location on the opposite side.
6. Insert the lower door hinge (5) into the left side, fixing the hinge into place by tightening all the screws (6).
7. Remove the pin cap (9) from the left side of the upper door frame and then transfer it to the same location on the opposite side.
8. Set the door on the lower door hinge (5), keep the door level, then fix the upper hinge (3) to the body (8) with the screws (2).
9. Put on the upper hinge cover (1).

Operating Your Wine Cellar

Setting the Temperature Control:

You can adjust the temperature by pressing the **ADJUST (SET)** switch. Each press increases the temperature setting by 1° (either °F or °C). The temperature range is 45° to 65°F (7°C to 18°C). The default temperature is 45°F (7°C).



Type of wine	Recommended storage temperature	LED color
Red wine	58°F – 65°F (16°C – 18°C)	red
White wine	48°F – 57°F (10°C – 15°C)	green
Champagne, sparkling wine	45°F – 47°F (7°C – 9°C)	yellow

NOTE: When cooling wine and beer simultaneously, we recommend that you place wine bottles near the top of the storage area and beer at the bottom, where the temperature is colder.

How to choose Fahrenheit or Celsius temperature readout:

You can select a temperature display reading in either Fahrenheit or Celsius degrees by pushing the switch marked °C/°F. When the °C indicator light is on, the reading is in Celsius, and when the °F light is on, the reading is in Fahrenheit.

Interior LED light:

You can turn the interior light on or off by pushing the switch marked **ON/OFF**. The light will turn off automatically after 10 minutes. To turn it back on, just push the **ON/OFF** switch again.

Care and Maintenance

Cleaning your wine cellar:

1. Unplug the wine cellar and remove all items, including shelves and racks.
2. Wash the inside surfaces with a solution of warm water and baking soda. The solution should contain about 2 tablespoons of baking soda to a quart of water.
3. Wash the shelves and racks with a mild detergent solution.
4. Wash the outside cabinet with warm water and mild liquid detergent.
5. Rinse well and wipe dry with a clean soft cloth.
6. Wring excess water out of the sponge or cloth before cleaning the area of the controls, or any electrical parts.

CAUTION: Failure to unplug the unit could result in electrical shock or personal injury.

Power Failure:

Most power failures are corrected within a few hours and should not affect the temperature of your unit if you minimize the number of times the door is opened. If the power is going to be off for a longer period of time, you need to take the proper steps to protect the contents of your wine cellar.

Vacation Time:

Short vacations: Leave the unit operating during vacations of less than three weeks.

Long vacations: If the appliance will not be used for several months, remove all items and unplug the power cord. Clean and dry the interior thoroughly. To prevent odor and mold growth, leave the door open slightly, blocking it open if necessary.

Moving Your Unit:

1. Remove the contents of the wine cellar.
2. Securely tape down all loose items (shelves and racks) inside your unit.
3. Turn the leveling leg up to the base to avoid damage.
4. Tape the door shut.
5. Be sure the unit stays secure in the upright position during transportation. Also, protect the outside of the unit with a blanket or similar covering.

Energy-Saving Tips:

The unit should be located in the coolest area of the room, away from heat-producing appliances and out of direct sunlight.

Problems with Your Wine Cellar?

You can easily solve many common problems with your wine cellar, saving you the cost of a possible service call. Try the suggestions below to see if you can correct the problem before calling the service provider.

TROUBLESHOOTING GUIDE

Problem	Possible Cause
Unit does not operate.	Not plugged in. The circuit breaker has tripped or the fuse has blown.
Unit is not cold enough.	Check the temperature control setting. External environment may require a higher setting. The door has been opened too often. The door is not completely closed. The door gasket does not seal properly. The wine cellar does not have the correct clearances.
Turns on and off frequently.	Room temperature is warmer than usual. The door is opened too often. The door is not closed completely. The temperature control is not set correctly. The door gasket does not seal properly. The unit does not have the correct clearances.
Vibrations	Check to be sure the unit is level.
The unit seems to be making too much noise.	A rattling noise may come from the flow of refrigerant, which is normal. As each cycle ends, you may hear gurgling sounds caused by the flow of refrigerant in your unit. Contraction and expansion of the inside walls may cause popping and crackling noises. The unit is not level.
The door will not close properly.	The unit is not level. The door was reversed and not properly re-installed. The gasket is dirty or bent. The shelves are out of position.

Notes

Limited Warranty

ONE-YEAR LIMITED WARRANTY

Within the 48 contiguous United States, for one year from the date of purchase, when this appliance is operated and maintained according to instructions attached to or furnished with the product, warrantor will pay for factory-specified parts and repair labor to correct defects in materials or workmanship. Service must be provided by a designated service company. Outside the 48 states, all parts are warranted for one year from manufacturing defects. Plastic parts, shelves and cabinets are warranted to be manufactured to commercially acceptable standards, and are not covered from damage during handling or breakage.

5-YEAR COMPRESSOR WARRANTY

1. The compressor is covered for 5 years.
2. Replacement does not include labor.

ITEMS WARRANTOR WILL NOT PAY FOR:

1. Service calls to correct the installation of your appliance, to instruct you how to use your appliance, to replace or repair fuses or to correct wiring or plumbing.
2. Service calls to repair or replace appliance light bulbs or broken shelves. Consumable parts (such as filters) are excluded from warranty coverage.
3. Damage resulting from accident, alteration, misuse, abuse, fire, flood, acts of God, improper installation, installation not in accordance with electrical or plumbing codes, or use of products not approved by warrantor.
4. Replacement parts or repair labor costs for units operated outside the United States.
5. Repairs to parts or systems resulting from unauthorized modifications made to the appliance.
6. Expenses for travel and transportation for product service in remote locations.
7. The removal and reinstallation of your appliance if it is installed in an inaccessible location or is not installed in accordance with published installation instructions.

DISCLAIMER OF IMPLIED WARRANTIES - LIMITATION OF REMEDIES

CUSTOMER'S SOLE AND EXCLUSIVE REMEDY UNDER THIS LIMITED WARRANTY SHALL BE PRODUCT REPAIR AS PROVIDED HEREIN. IMPLIED WARRANTIES, INCLUDING WARRANTIES OF MERCHANTABILITY OR FITNESS FOR A PARTICULAR PURPOSE, ARE LIMITED TO ONE YEAR. WARRANTOR SHALL NOT BE LIABLE FOR INCIDENTAL OR CONSEQUENTIAL DAMAGES. SOME STATES DO NOT ALLOW THE EXCLUSION OR LIMITATION OF INCIDENTAL OR CONSEQUENTIAL DAMAGES, OR LIMITATIONS ON THE DURATION OF IMPLIED WARRANTIES OF MERCHANTABILITY OR FITNESS, SO THESE EXCLUSIONS OR LIMITATIONS MAY NOT APPLY TO YOU. THIS WARRANTY GIVES YOU SPECIFIC LEGAL RIGHTS AND YOU MAY ALSO HAVE OTHER RIGHTS, WHICH VARY FROM STATE TO STATE.

WARNING! This product may contain chemicals known to the state of California to cause cancer or birth defects or other reproductive harm. For more information, visit: www.summitappliance.com/prop65
Chemicals known by the manufacturer to be present in this product in concentrations higher than threshold limits: NONE.

FELIX STORCH, INC.
770 Garrison Avenue
Bronx, NY 10474
Phone: (718) 893-3900
Fax: (718) 842-3093
www.summitappliance.com

SUMMIT
For parts and accessory ordering,
troubleshooting and helpful hints, visit:
www.summitappliance.com/support

Printed in China