



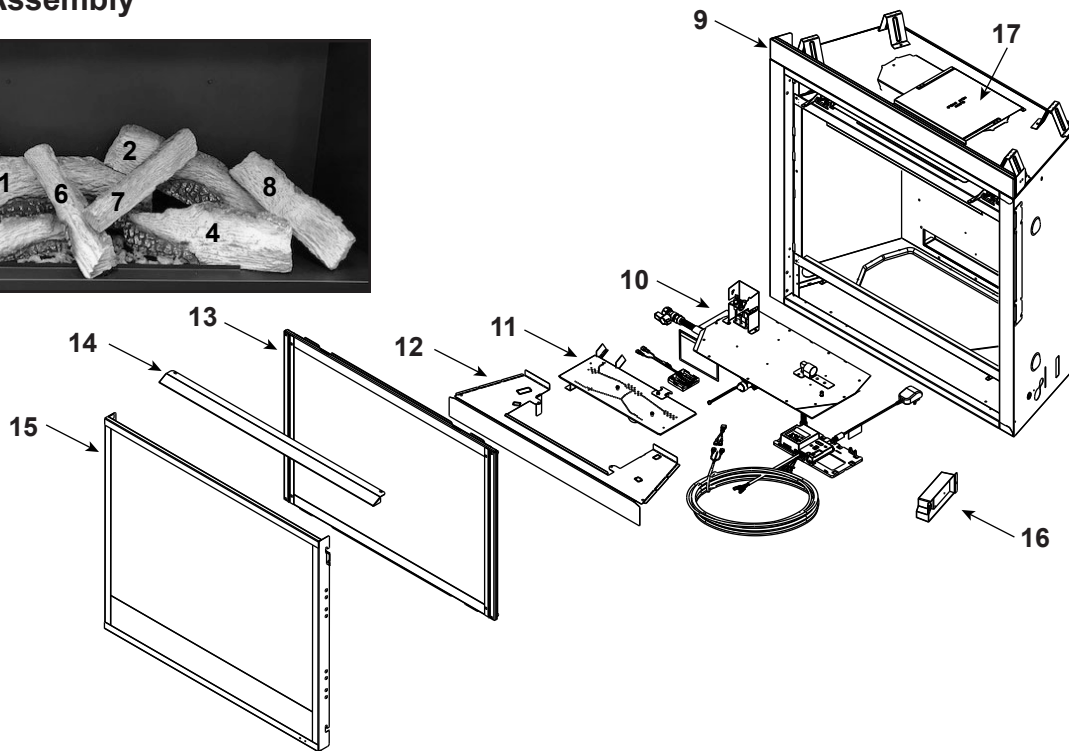
# Service Parts **QUARTZ42IFTN/QUARTZ42IFTL**

Quartz 42" Gas Fireplace - DV

Beginning Manufacturing Date: March 2020

Ending Manufacturing Date: Active

## Log Set Assembly



IMPORTANT: THIS IS DATED INFORMATION. Parts must be ordered from a dealer or distributor. **Hearth and Home Technologies does not sell directly to consumers.** Provide model number and serial number when requesting service parts from your dealer or distributor.



**Stocked  
at Depot**

ITEM	DESCRIPTION	COMMENTS	PART NUMBER	
	Log Set Assembly		LOGS-QUARTZ42	Y
1	Rear Left Base Log		SRV2414-709	
2	Rear Right Base Log		SRV2414-710	
3	Front Left Base Log		SRV2413-703	
4	Front Right Base Log		SRV2414-711	
5	Top Left Log		SRV2413-705	
6	Middle Left Cross Log		SRV2413-706	
7	Middle Right Cross Log		SRV2413-707	
8	Top Right Log		SRV2414-712	
9	Drywall Support		2393-119	
10	Valve Assembly		<b>See following page</b>	
11	Burner Assembly		2414-007	Y
12	Base Pan		2414-111	
13	Glass Door Assembly		GLA-950TR	Y
14	Hood		2121-230	
15	Door		DBM42BK	
16	Junction Box		SRV4021-013	Y
17	Elbow Heat Shield		385-290	

Additional service part numbers appear on following page.

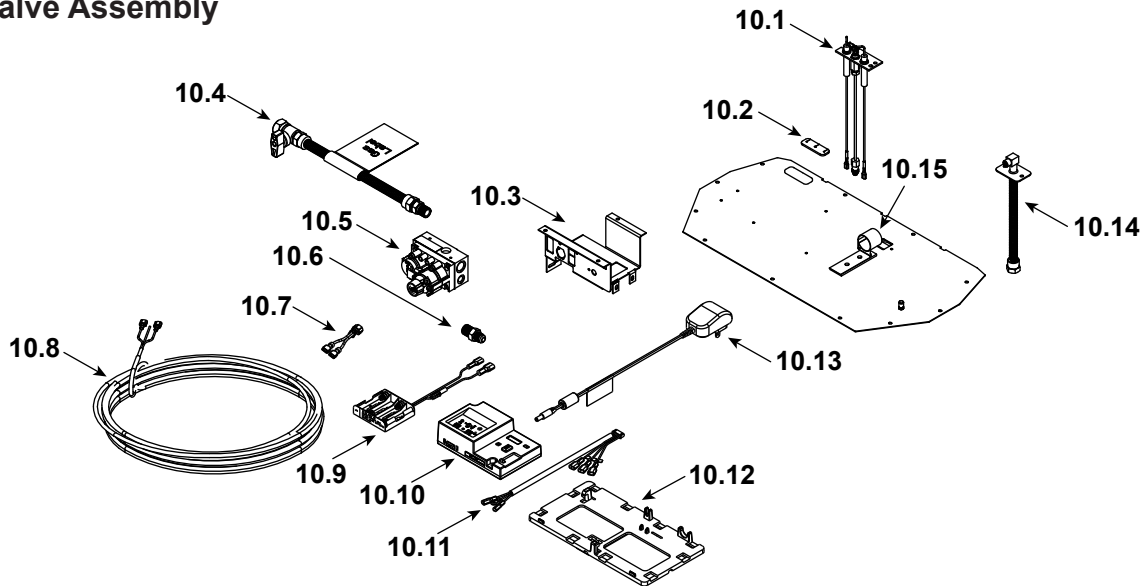


# Service Parts **QUARTZ42IFTN/QUARTZ42IFTL**

Beginning Manufacturing Date: March 2020

Ending Manufacturing Date: Active

## #10 Valve Assembly



IMPORTANT: THIS IS DATED INFORMATION. Parts must be ordered from a dealer or distributor. **Hearth and Home Technologies does not sell directly to consumers.** Provide model number and serial number when requesting service parts from your dealer or distributor.



Stocked  
at Depot

ITEM	DESCRIPTION	COMMENTS	PART NUMBER	Stocked at Depot
10.1	Pilot Assembly NG		2106-169	Y
	Pilot Assembly Propane		2106-170	Y
	Pilot Tube		SRV485-301	Y
10.2	3-Hole Grommet		SRV2118-420	
10.3	Valve Bracket		2118-104	
10.4	Flex Ball Valve Assembly		SRV302-320	Y
	Valve NG		SRV2166-302	Y
	Valve Propane		2166-303	Y
10.6	Male Connector	Pkg of 5	303-315/5	
10.7	Jumper Wire		SRV2187-198	Y
10.8	Thermostat Wire Assembly		SRV2118-170	Y
10.9	Battery Pack**		SRV2326-134	Y
10.10	Module, IFT Control		SRV2326-130	Y
10.11	Wire Harness, IFT 6 Pin		SRV2326-132	Y
10.12	Component Tray		2279-185	
10.13	6 Volt Transformer		SRV2326-131	Y
10.14	Bulkhead w/Flex Tube		SRV7000-156	Y
10.15	Shutter Bracket Assembly		2118-121	
	Orifice NG (#39C)		582-839	Y
	Orifice Propane (#53C)		582-853	Y

\*\*Fuse for battery pack can be sourced locally, not a warranty item. Specs are 250v, 3A fuse, 3/4" long

Additional service part numbers appear on following page.



Service Parts **QUARTZ42IFTN/QUARTZ42IFTL**

Beginning Manufacturing Date: March 2020  
 Ending Manufacturing Date: Active

IMPORTANT: THIS IS DATED INFORMATION. Parts must be ordered from a dealer or distributor. **Hearth and Home Technologies does not sell directly to consumers.** Provide model number and serial number when requesting service parts from your dealer or distributor.



**Stocked  
 at Depot**

ITEM	DESCRIPTION	COMMENTS	PART NUMBER	
	Exhaust Restrictor		530-299	
	Gasket Assembly Contains Burner neck, shutter bracket, vent, seal cap, valve plate, and air passage gaskets		2118-080	
	Mineral Wool		050-721	
	Touch Up Paint		TUP-GBK-12	
	Shoulder Bolt	Pkg of 25	319-835-25	
<b>CONVERSION KITS</b>				
	Conversion Kit NG		NGKQUARTZ-IFT	
	Conversion Kit Propane		LPKQUARTZ-IFT	
	Pilot Orifice NG		SRV593-528	<b>Y</b>
	Pilot Orifice Propane		SRV593-527	<b>Y</b>
	Regulator NG		NGK-DXV-50	<b>Y</b>
	Regulator Propane		SRVLPK-DXV-50	<b>Y</b>