



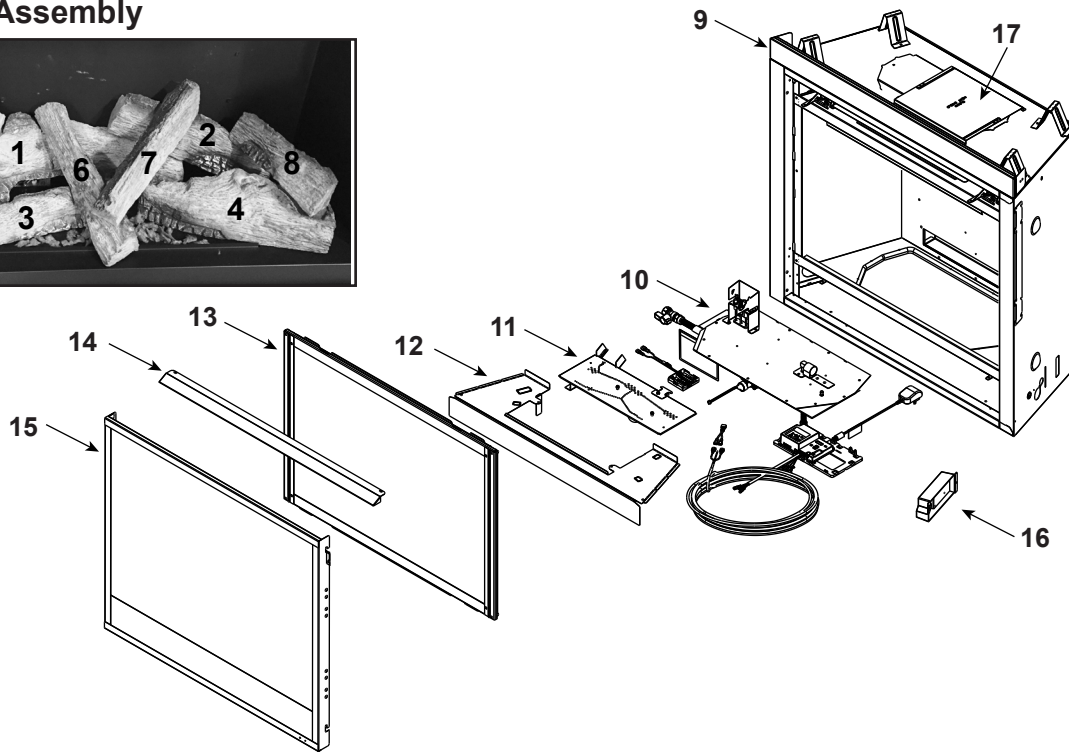
Service Parts **QUARTZ36IFTN/QUARTZ36IFTL**

Quartz 36" Gas Fireplace - DV

Beginning Manufacturing Date: March 2020

Ending Manufacturing Date: Active

Log Set Assembly



IMPORTANT: THIS IS DATED INFORMATION. Parts must be ordered from a dealer or distributor. **Hearth and Home Technologies does not sell directly to consumers.** Provide model number and serial number when requesting service parts from your dealer or distributor.



Stocked at Depot

| ITEM | DESCRIPTION | COMMENTS | PART NUMBER | |
|------|------------------------|----------|---------------------------|---|
| | Log Set Assembly | | LOGS-QUARTZ36 | Y |
| 1 | Rear Left Base Log | | SRV2413-701 | |
| 2 | Rear Right Base Log | | SRV2413-702 | |
| 3 | Front Left Base Log | | SRV2413-703 | |
| 4 | Front Right Base Log | | SRV2413-704 | |
| 5 | Top Left Log | | SRV2413-705 | |
| 6 | Middle Left Cross Log | | SRV2413-706 | |
| 7 | Middle Right Cross Log | | SRV2413-707 | |
| 8 | Top Right Log | | SRV2413-708 | |
| 9 | Drywall Support | | 2392-119 | |
| 10 | Valve Assembly | | See following page | |
| 11 | Burner Assembly | | 2413-007 | Y |
| 12 | Base Pan | | 2413-111 | |
| 13 | Glass Door Assembly | | GLA-750TR | Y |
| 14 | Hood | | 2118-230 | |
| 15 | Door | | DBM36BK | |
| 16 | Junction Box | | SRV4021-013 | Y |
| 17 | Elbow Heat Shield | | 385-290 | |

Additional service part numbers appear on following page.

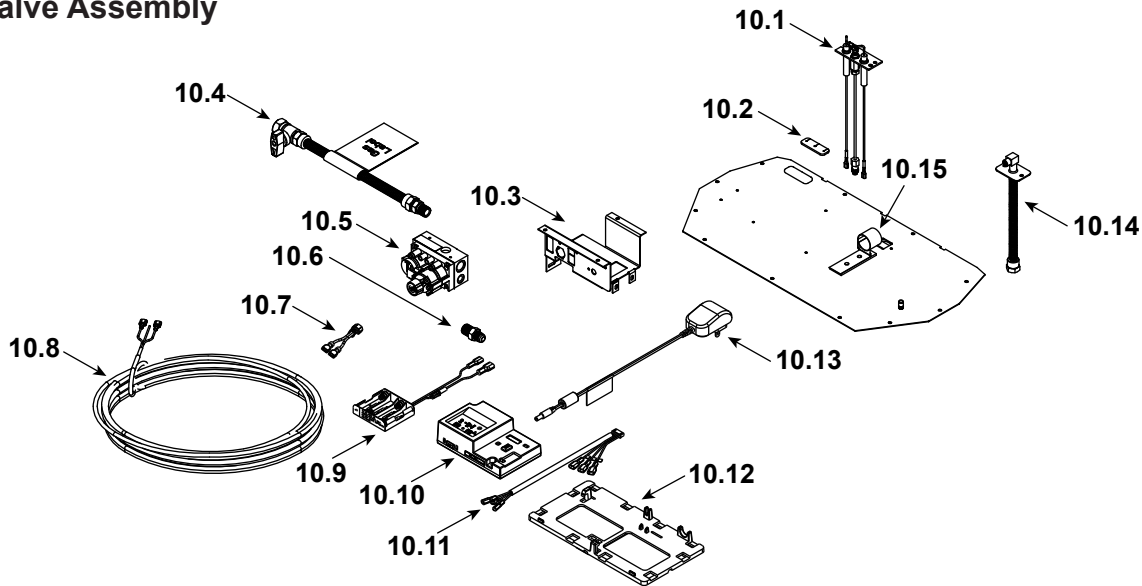


Service Parts **QUARTZ36IFTN/QUARTZ36IFTL**

Beginning Manufacturing Date: March 2020

Ending Manufacturing Date: Active

#10 Valve Assembly



IMPORTANT: THIS IS DATED INFORMATION. Parts must be ordered from a dealer or distributor. **Hearth and Home Technologies does not sell directly to consumers.** Provide model number and serial number when requesting service parts from your dealer or distributor.



Stocked at Depot

| ITEM | DESCRIPTION | COMMENTS | PART NUMBER | Stocked at Depot |
|-------|--------------------------|----------|-------------|------------------|
| 10.1 | Pilot Assembly NG | | 2106-169 | Y |
| | Pilot Assembly Propane | | 2106-170 | Y |
| | Pilot Tube | | SRV485-301 | Y |
| 10.2 | 3-Hole Grommet | | SRV2118-420 | |
| 10.3 | Valve Bracket | | 2118-104 | |
| 10.4 | Flex Ball Valve Assembly | | SRV302-320 | Y |
| 10.5 | Valve NG | | SRV2166-302 | Y |
| | Valve Propane | | 2166-303 | Y |
| 10.6 | Male Connector | Pkg of 5 | 303-315/5 | |
| 10.7 | Jumper Wire | | SRV2187-198 | Y |
| 10.8 | Thermostat Wire Assembly | | SRV2118-170 | Y |
| 10.9 | Battery Pack** | | SRV2326-134 | Y |
| 10.10 | Module, IFT Control | | SRV2326-130 | Y |
| 10.11 | Wire Harness, IFT 6 Pin | | SRV2326-132 | Y |
| 10.12 | Component Tray | | 2279-185 | |
| 10.13 | 6 Volt Transformer | | SRV2326-131 | Y |
| 10.14 | Bulkhead w/Flex Tube | | SRV7000-156 | Y |
| 10.15 | Shutter Bracket Assembly | | 2118-121 | |
| | Orifice NG (#42C) | | 582-842 | Y |
| | Orifice Propane (#54C) | | SRV582-854 | Y |

**Fuse for battery pack can be sourced locally, not a warranty item. Specs are 250v, 3A fuse, 3/4" long

Additional service part numbers appear on following page.

