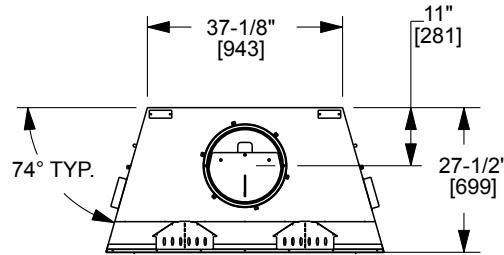


**MAJESTIC**

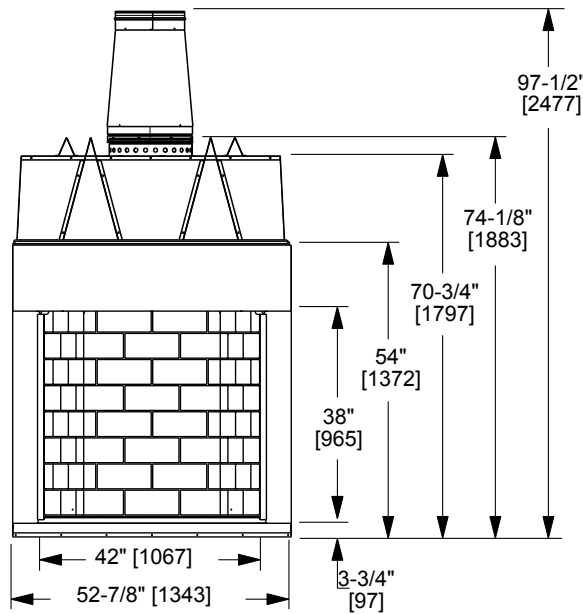
Please consult the manufacturer's installation manual for all details and requirements before making a final design layout decision.

**ASHLAND**  
42" Wood Fireplace

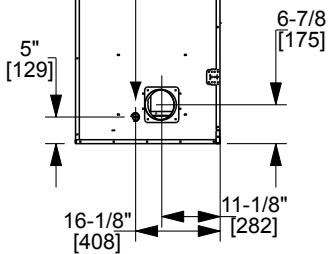
MODEL	FRONT WIDTH		BACK WIDTH		HEIGHT		DEPTH		FIREPLACE OPENING
	Actual	Framing	Actual	Framing	Actual	Framing	Actual	Framing	
ASH42	52-7/8" (1343mm)	53-7/8" (1368mm)	37-1/8" (943mm)	53-7/8" (1368mm)	74-1/8" (1883mm)	74-1/2" (1892mm)	27-1/2" (699mm)	28-1/2" (724mm)	42" x 38" (1067mm x 965mm)



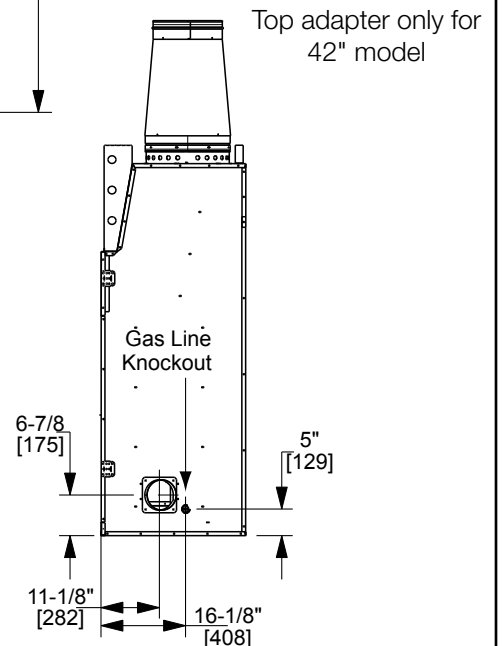
Top View



Front View

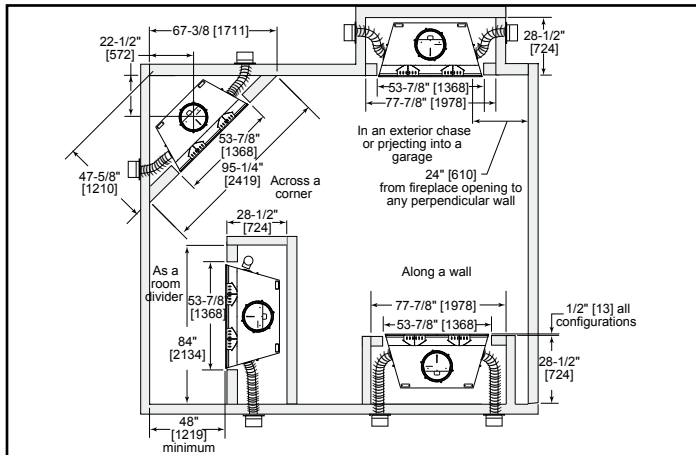


Left Side View

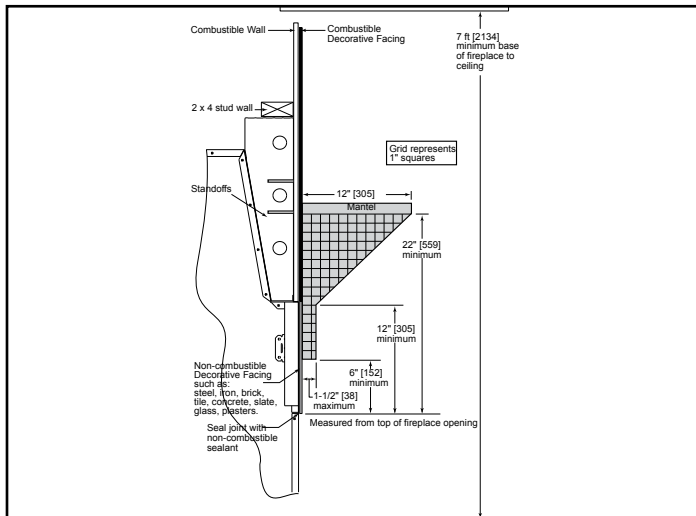


Right Side View

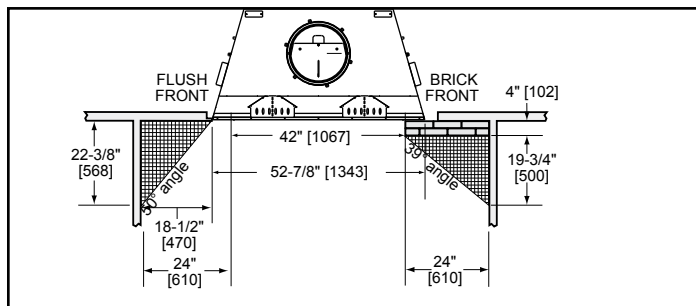
**APPLIANCE LOCATION**



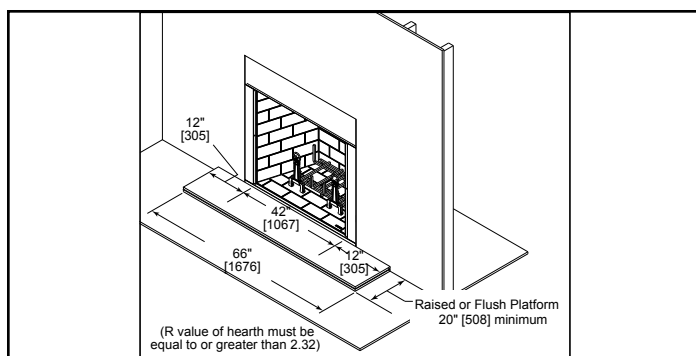
**MANTLE PROJECTIONS**



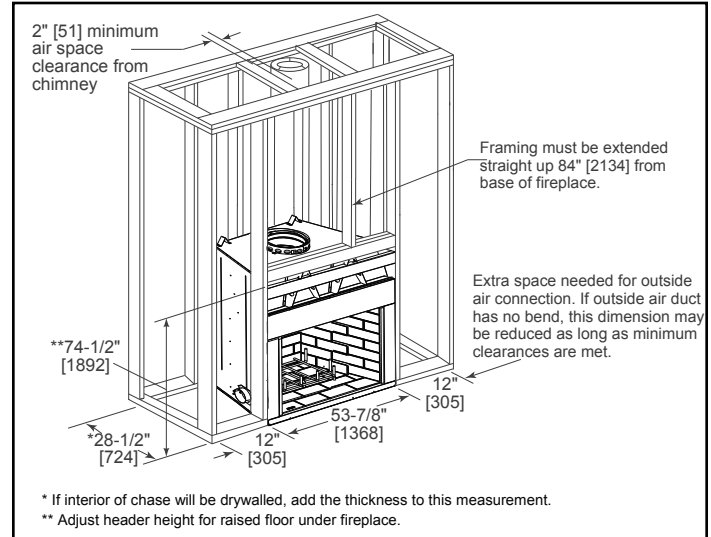
**MANTLE LEG/WALL PROJECTIONS**



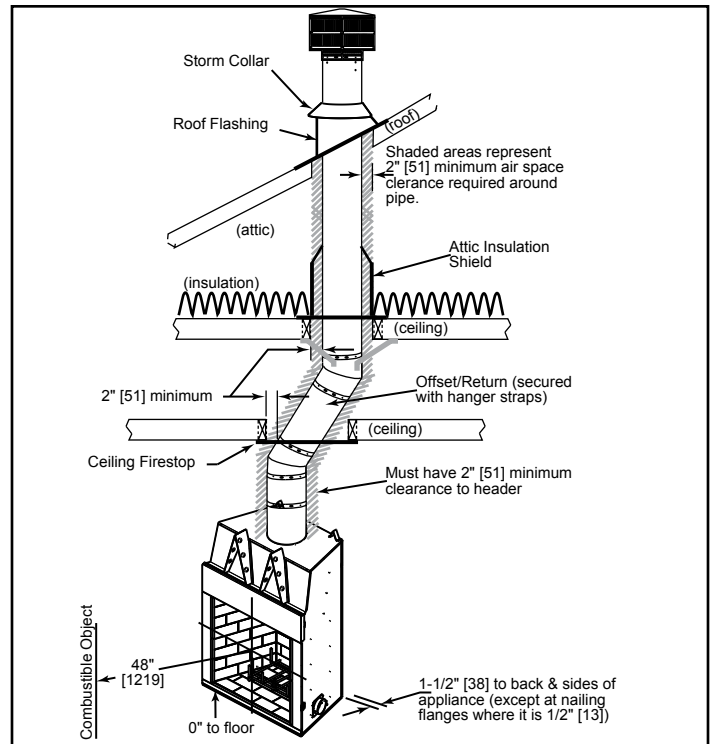
**HEARTH EXTENSIONS**



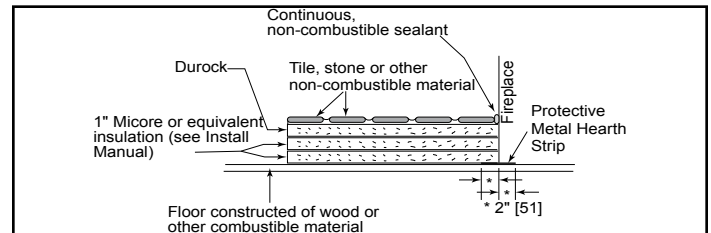
**FRAMING DIMENSIONS**



**CLEARANCES TO COMBUSTIBLES**



**HEARTH EXTENSION CONSTRUCTION**



**PRODUCT LISTING CODES**

US	UL 127
----	--------

Product information provided is not complete and is subject to change without notice. Product installation must adhere strictly to instructions accompanying product to avoid risk of fire and potential injury.

Additional information can be found online at [www.majesticproducts.com](http://www.majesticproducts.com)