

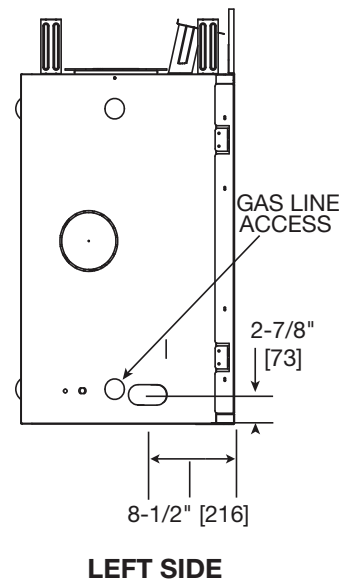
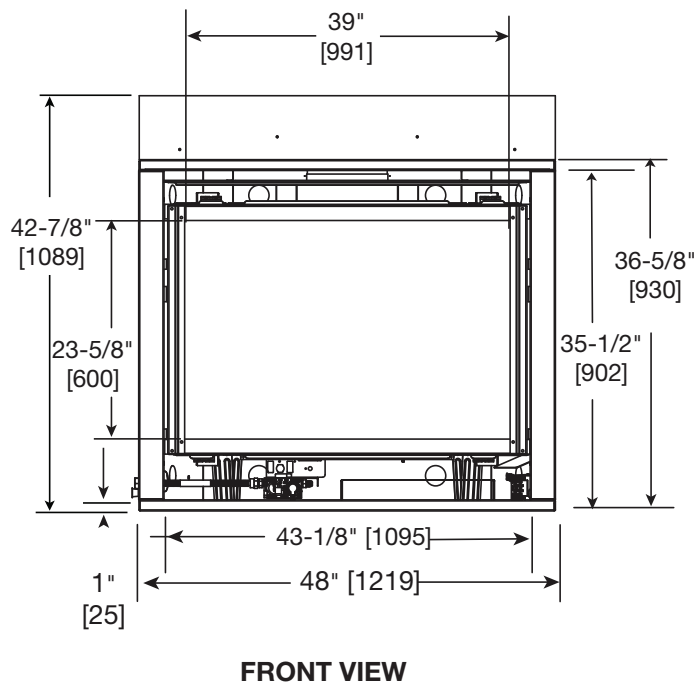
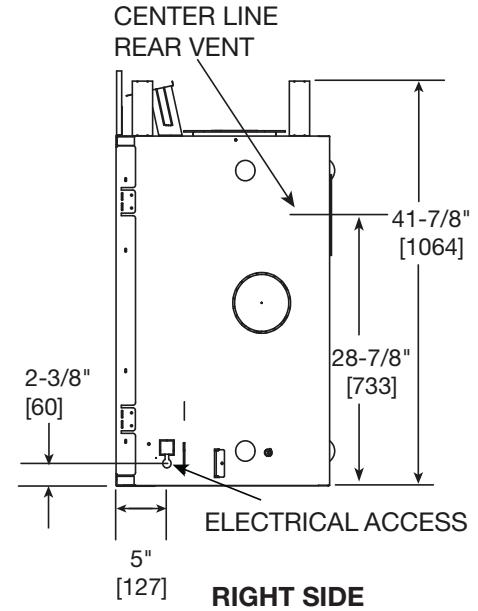
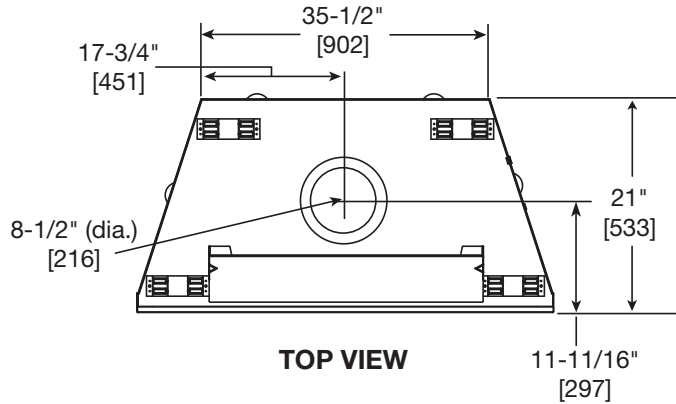
# MAJESTIC

Please consult the manufacturer's installation manual for all details and requirements before making a final design layout decision.

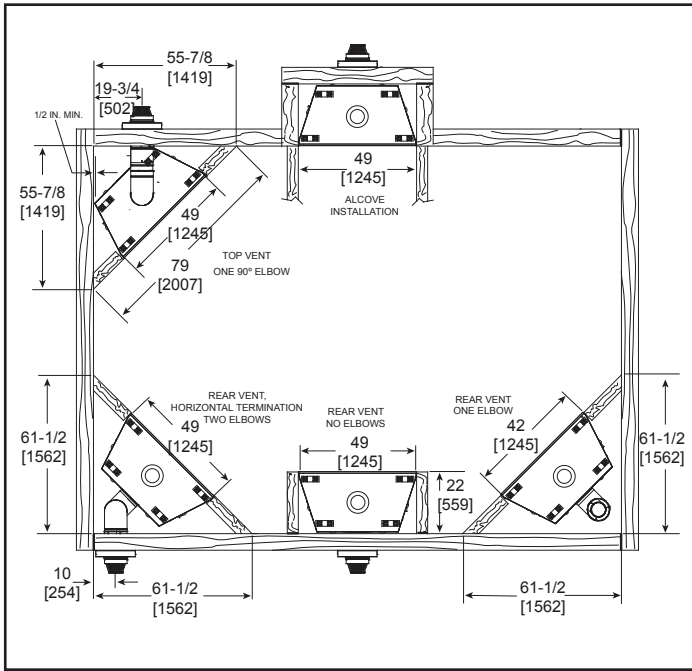
## MERIDIAN 42

Direct Vent Gas Fireplace

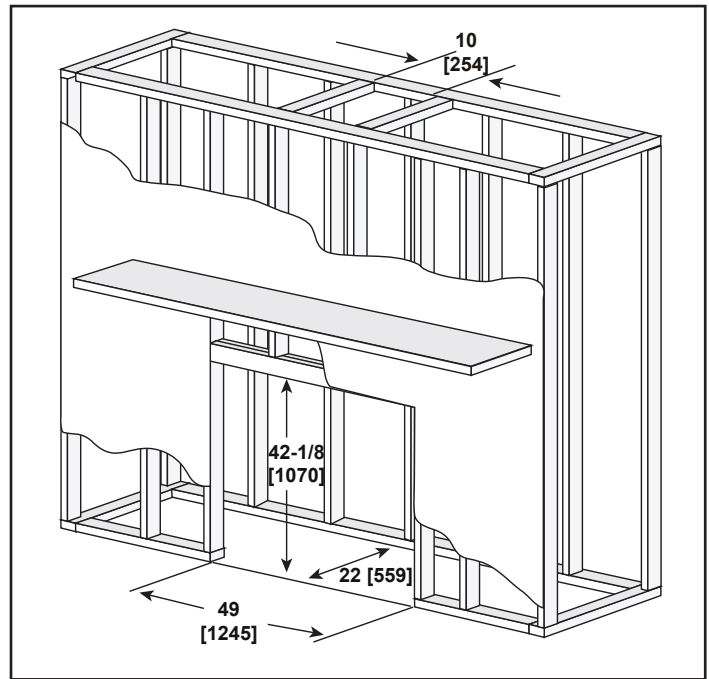
MODEL	FRONT WIDTH		BACK WIDTH		HEIGHT		DEPTH		GLASS SIZE
	ACTUAL	FRAMING	ACTUAL	FRAMING	ACTUAL	FRAMING	ACTUAL	FRAMING	
MERID42									39" x 23-5/8" (991mm x 600mm)
35,000 BTU (NG) 34,000 BTU (LP)	48" (1219mm)	49" (1245mm)	35-1/2" (902mm)	49" (1245mm)	42-7/8" (1089mm)	42-1/8" (1070mm)	21" (533mm)	22" (559mm)	



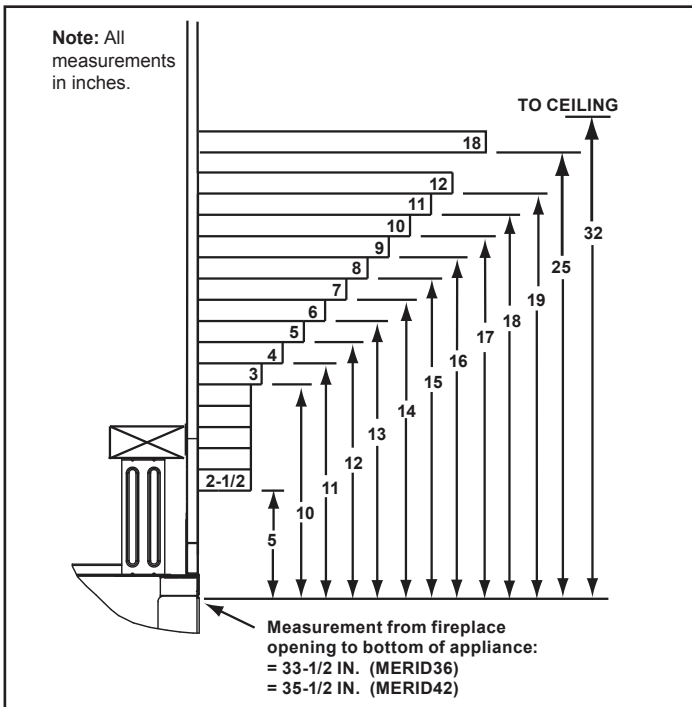
**APPLIANCE LOCATION**



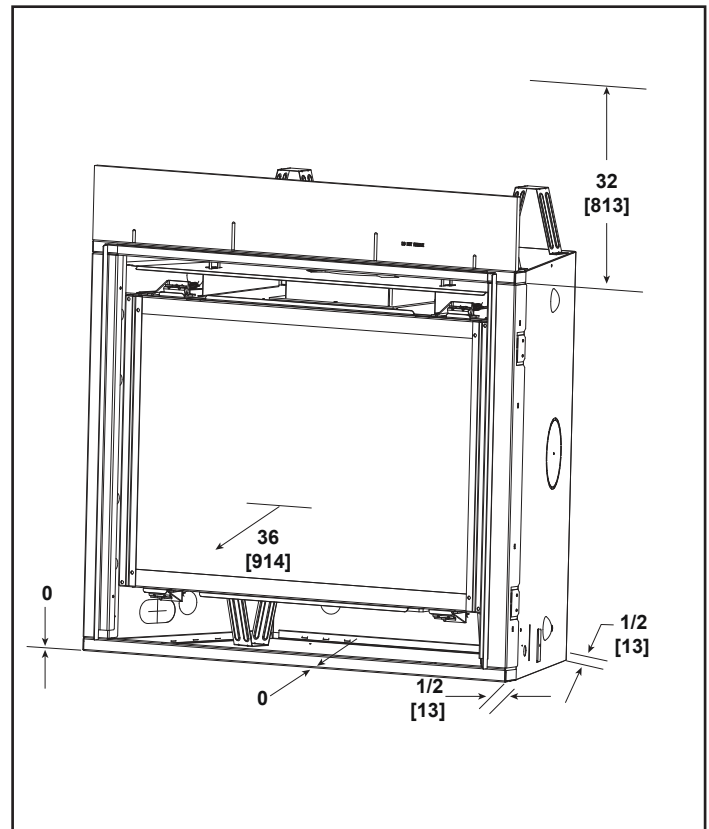
**FRAMING DIMENSIONS**



**MANTEL PROJECTIONS**



**CLEARANCES TO COMBUSTIBLES**



PRODUCT LISTING CODES	
US	ANSI Z21.88-2014
CAN	CSA 2.33-2014

Product information provided is not complete and is subject to change without notice. Product installation must adhere strictly to instructions accompanying product to avoid risk of fire and potential injury.

**MAJESTIC**

Majestic — A Brand of Hearth & Home Technologies  
7571 215th Street West | Lakeville, MN 55044  
877-486-9123 | majesticproducts.com

