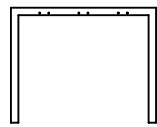
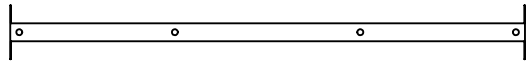


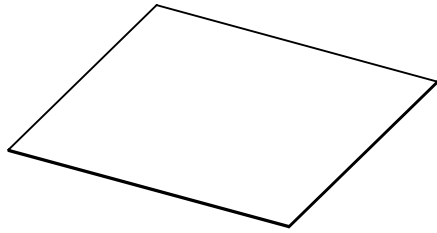
A X 2



B X 2



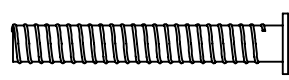
C X 4



D X 1



E X 12



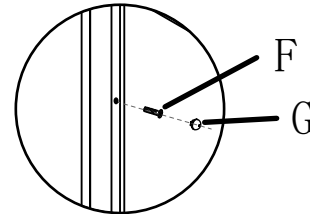
F X 8



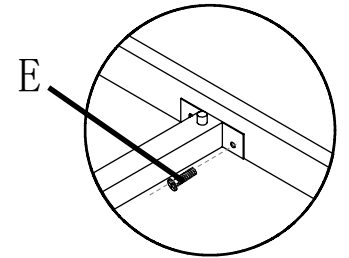
G X 8



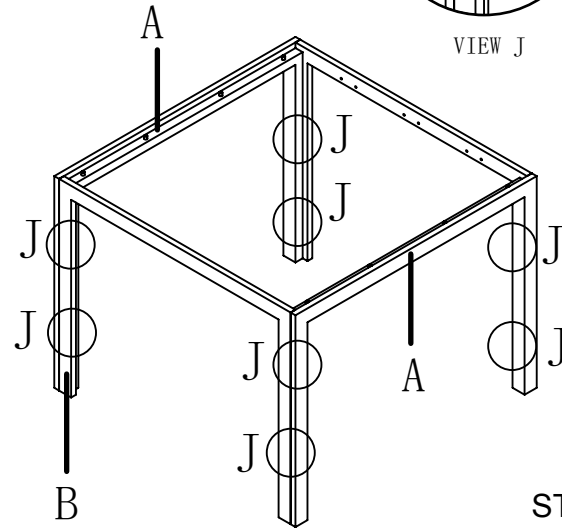
H X 1



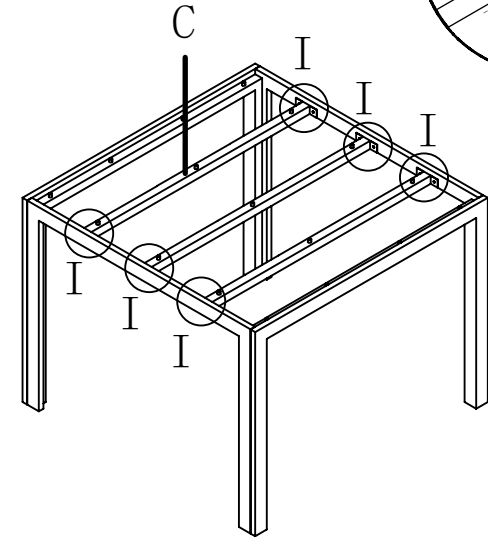
VIEW J



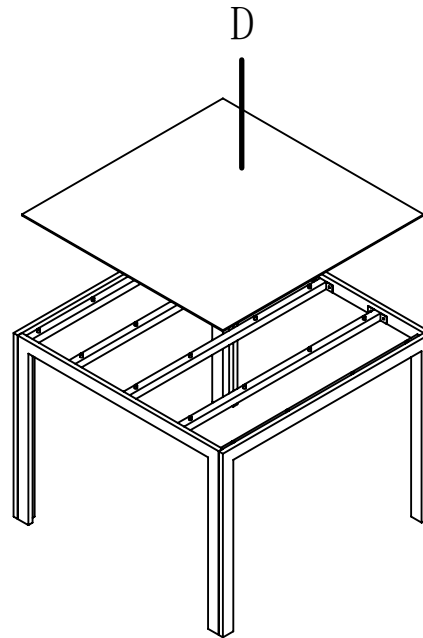
VIEW I



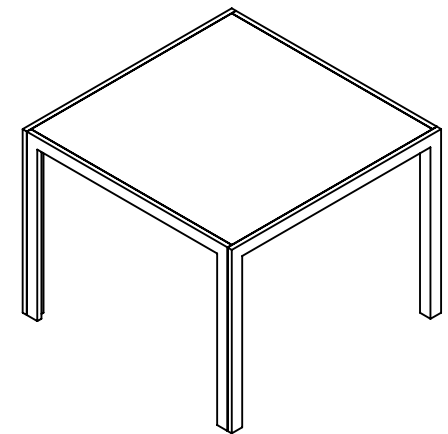
STEP 1



STEP 2



STEP 3



FINISHING