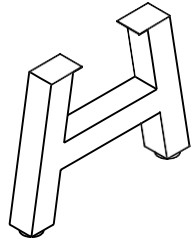
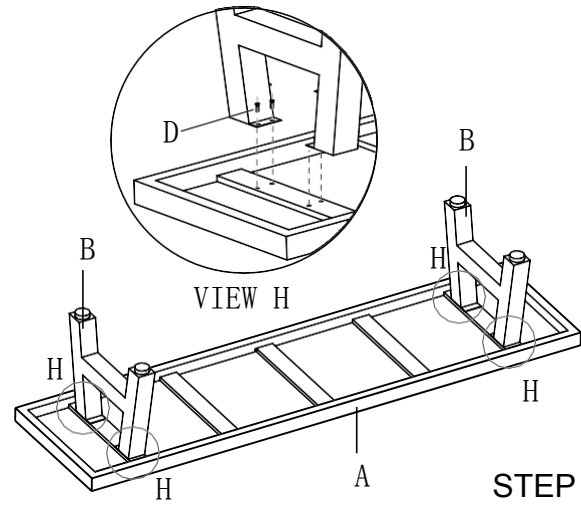


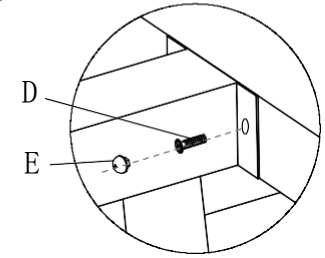
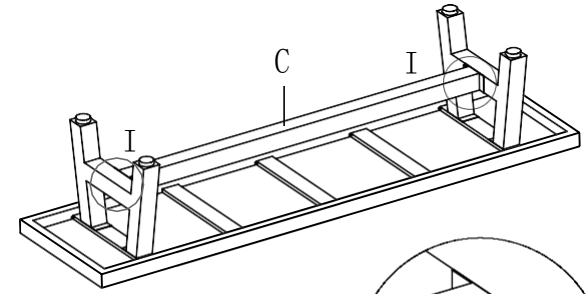
A x 1



B x 2

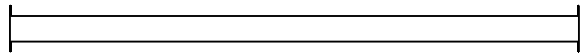


STEP 1

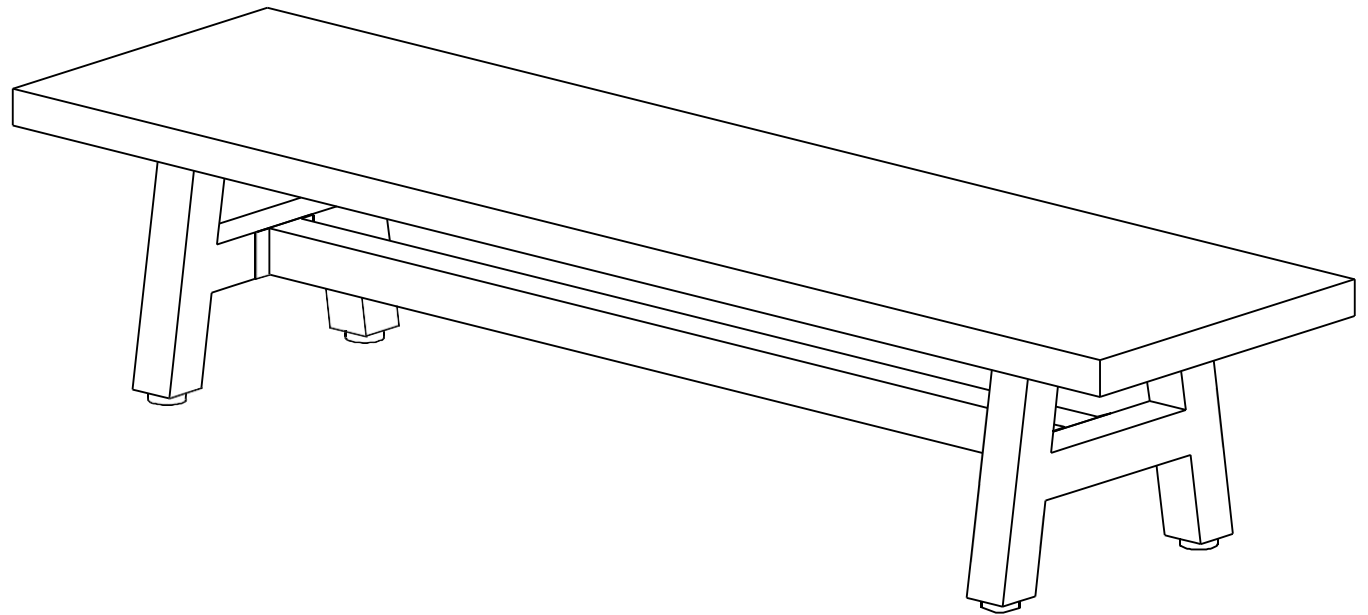


VIEW I

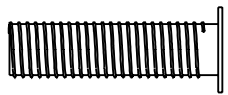
STEP 2



C x 1



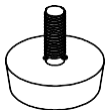
FINISHING



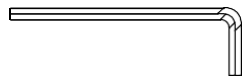
D x 12



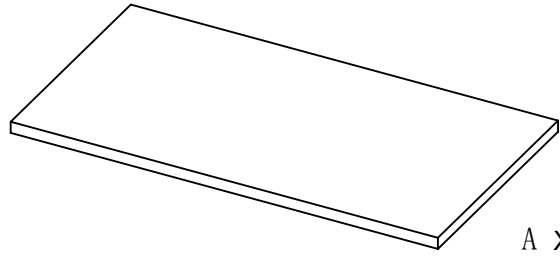
E x 4



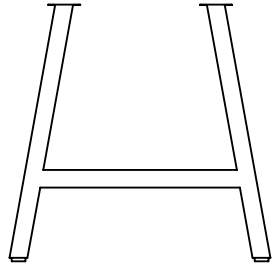
F x 4



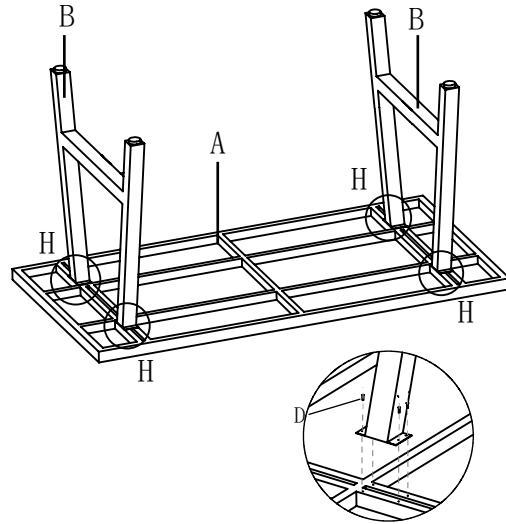
G x 1



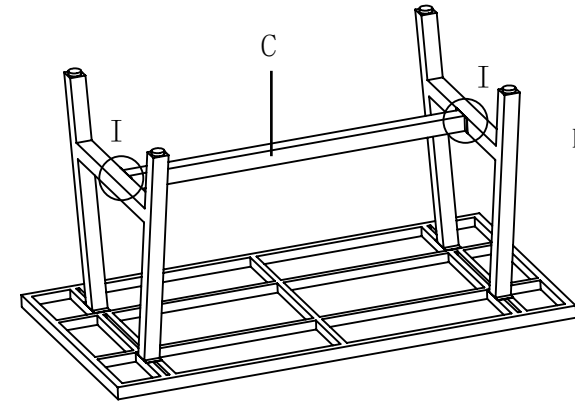
A x 1



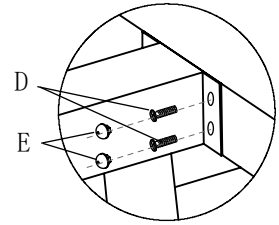
B x 2



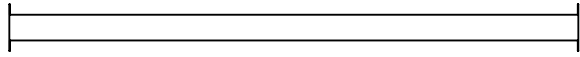
VIEW H STEP 1



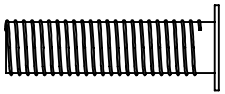
STEP 2



VIEW I



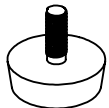
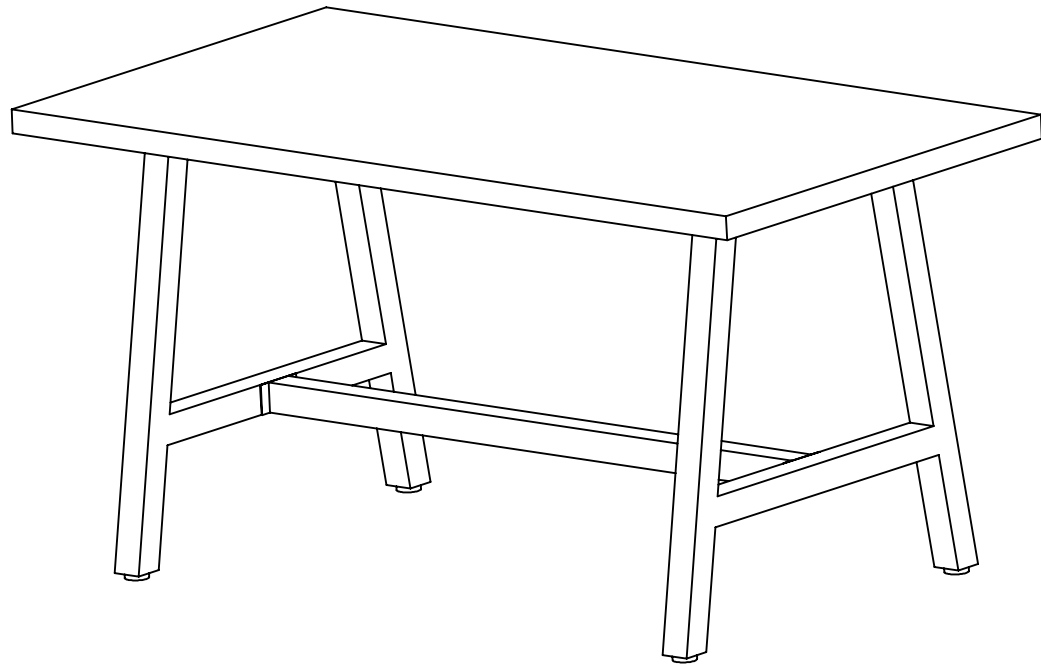
C x 1



D x 24



E x 8



F x 4



G x 1

FINISHING